

# MU

# SELF-LUBRICATED BEARINGS

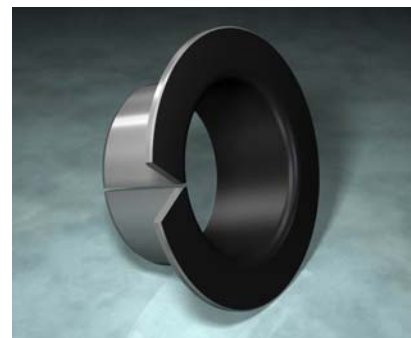
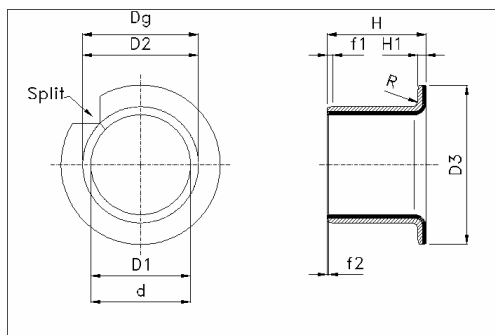
METRIC SIZES

Flanged Plain Bearings  
dimension according to ISO 3547

Part Number Structure:



General Tolerances:  
Length (H) = ±0.25  
Flange (D3) = ±0.50



Available from stock

Part Number	D1	D2	D3	H	D1 (After Assembly)	Dg (Housing Recommended)	d (Shaft Recommended)
MU F 06081204	06	08	12	04	5.990 ÷ 6.055	8.000 ÷ 8.015	5.990 ÷ 5.978
MU F 06081207				07			
MU F 06081208				08			
MU F 0810155.5	08	10	15	5.5	7.990 ÷ 8.055	10.000 ÷ 10.015	7.972 ÷ 7.987
MU F 0810157.5				7.5			
MU F 0810159.5				9.5			
MU F 10121807	10	12	18	07	9.990 ÷ 10.058	12.000 ÷ 12.018	9.972 ÷ 9.987
MU F 10121809				09			
MU F 10121812				12			
MU F 10121817				17			
MU F 12142007	12	14	20	07	11.990 ÷ 12.058	14.000 ÷ 14.018	11.966 ÷ 11.984
MU F 12142009				09			
MU F 12142012				12			
MU F 12142017				17			
MU F 14162212	14	16	22	12	13.990 ÷ 14.058	16.000 ÷ 16.018	13.966 ÷ 13.984
MU F 14162217				17			
MU F 15172309	15	17	23	09	14.990 ÷ 15.058	17.000 ÷ 17.018	14.966 ÷ 14.984
MU F 15172312				12			
MU F 15172317				17			
MU F 16182412	16	18	24	12	15.990 ÷ 16.058	18.000 ÷ 18.018	15.966 ÷ 15.984
MU F 16182417				17			
MU F 18202612	18	20	26	12	17.990 ÷ 18.061	20.000 ÷ 20.021	17.966 ÷ 17.984
MU F 18202617				17			
MU F 18202622				22			
MU F 20233011.5	20	23	30	11.5	19.990 ÷ 20.071	23.000 ÷ 23.021	19.959 ÷ 19.980
MU F 20233016.5				16.5			
MU F 20233021.5				21.5			
MU F 25283511.5	25	28	35	11.5	24.990 ÷ 25.071	28.000 ÷ 28.021	24.959 ÷ 24.980
MU F 25283516.5				16.5			
MU F 25283521.5				21.5			
MU F 30344216	30	34	42	16	29.990 ÷ 30.085	34.000 ÷ 34.025	29.959 ÷ 29.980
MU F 30344226				26			
MU F 35394716	35	39	47	16	34.990 ÷ 35.085	39.000 ÷ 39.025	34.950 ÷ 34.975
MU F 35394726				26			
MU F 40445316	40	44	53	16	39.990 ÷ 40.085	44.000 ÷ 44.025	39.950 ÷ 39.975
MU F 40445326				26			
MU F 45505816	45	50	58	16	44.990 ÷ 45.105	50.000 ÷ 50.025	44.950 ÷ 44.975
MU F 45505826				26			

General Tolerances:	Part Number	Part Number	f1	f2	H1	R
	MU F 06081204	MU F 18202622	0.20 ÷ 1.00	0.10 ÷ 0.50	0.80 ÷ 1.05	0.70 ÷ 1.00
	MU F 20233011.5	MU F 25283521.5	0.20 ÷ 1.00	0.10 ÷ 0.50	1.30 ÷ 1.55	1.20 ÷ 1.50
	MU F 30344216	MU F 40445326	0.20 ÷ 1.00	0.10 ÷ 0.70	1.80 ÷ 2.05	1.70 ÷ 2.00
	MU F 45505816	MU F 45505826	0.80 ÷ 1.60	0.10 ÷ 0.70	2.30 ÷ 2.55	2.20 ÷ 2.50

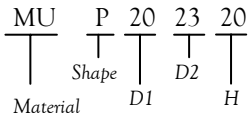
# MU

# SELF-LUBRICATED BEARINGS

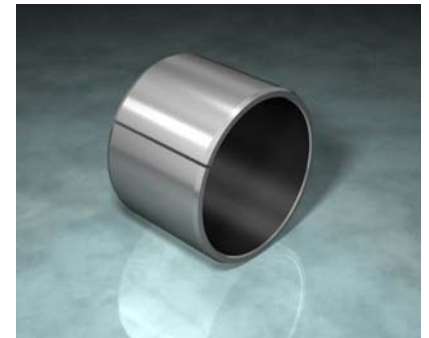
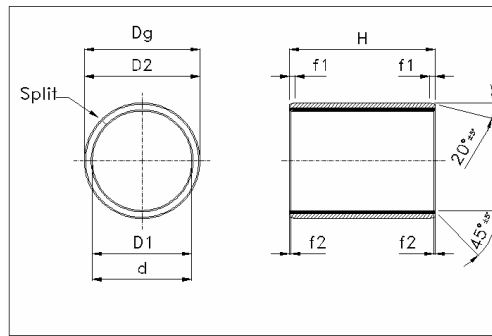
METRIC SIZES

Cylindrical Plain Bearings  
dimension according to ISO 3547

Part Number Structure:



General Tolerances:  
Length (H) = ±0.25



Available from stock

Part Number	D1	D2	H	D1 (After Assembly)	Dg (Housing Recommended)	d (Shaft Recommended)
MU P 034.503	03	4.5	03	3.000 ÷ 3.048	4.500 ÷ 4.508	2.994 ÷ 3.000
MU P 034.504			04			
MU P 034.505			05			
MU P 034.506			06			
MU P 045.503	04	5.5	03	4.000 ÷ 4.048	5.500 ÷ 5.508	3.992 ÷ 4.000
MU P 045.504			04			
MU P 045.506			06			
MU P 045.510			10			
MU P 050705	05	07	05	4.990 ÷ 5.055	7.000 ÷ 7.015	4.978 ÷ 4.990
MU P 050708			08			
MU P 050710			10			
MU P 060804	06	08	04	5.990 ÷ 6.055	8.000 ÷ 8.015	5.978 ÷ 5.990
MU P 060806			06			
MU P 060808			08			
MU P 070910	07	09	10	6.990 ÷ 7.055	9.000 ÷ 9.015	6.972 ÷ 6.987
MU P 081006	08	10	06	7.990 ÷ 8.055	10.000 ÷ 10.015	7.972 ÷ 7.987
MU P 081008			08			
MU P 081010			10			
MU P 081012			12			
MU P 101208	10	12	08	9.990 ÷ 10.058	12.000 ÷ 12.018	9.972 ÷ 9.987
MU P 101210			10			
MU P 101212			12			
MU P 101215			15			
MU P 101220			20			
MU P 121408	12	14	08	11.990 ÷ 12.058	14.000 ÷ 14.018	11.966 ÷ 11.984
MU P 121410			10			
MU P 121412			12			
MU P 121415			15			
MU P 121420			20			
MU P 121425			25			
MU P 131510	13	15	10	12.990 ÷ 13.058	15.000 ÷ 15.018	12.966 ÷ 12.984
MU P 131520			20			
MU P 141605	14	16	05	13.990 ÷ 14.058	16.000 ÷ 16.018	13.966 ÷ 13.984
MU P 141610			10			
MU P 141612			12			
MU P 141615			15			
MU P 141620			20			
MU P 141625			25			
MU P 151710	15	17	10	14.990 ÷ 15.058	17.000 ÷ 17.018	14.966 ÷ 14.984
MU P 151712			12			
MU P 151715			15			
MU P 151720			20			
MU P 151725			25			

**MU**
**SELF-LUBRICATED BEARINGS**
**METRIC SIZES**

<i>Part Number</i>	<i>D1</i>	<i>D2</i>	<i>H</i>	<i>D1 (After Assembly)</i>	<i>Dg (Housing Recommended)</i>	<i>d (Shaft Recommended)</i>
MU P 161810	16	18	10	15.990 ÷ 16.058	18.000 ÷ 18.018	15.966 ÷ 15.984
MU P 161812			12			
MU P 161815			15			
MU P 161820			20			
MU P 161825			25			
MU P 171915	17	19	15	16.990 ÷ 17.058	19.000 ÷ 19.021	16.966 ÷ 16.984
MU P 171920			20			
MU P 182010	18	20	10	17.990 ÷ 18.061	20.000 ÷ 20.021	17.966 ÷ 17.984
MU P 182015			15			
MU P 182020			20			
MU P 182025			25			
MU P 202210	20	22	10	19.990 ÷ 20.061	22.000 ÷ 22.021	19.959 ÷ 19.980
MU P 202215			15			
MU P 202220			20			
MU P 202310	20	23	10	19.990 ÷ 20.071	23.000 ÷ 23.021	19.959 ÷ 19.980
MU P 202315			15			
MU P 202320			20			
MU P 202325			25			
MU P 202330			30			
MU P 222515	22	25	15	21.990 ÷ 22.071	25.000 ÷ 25.021	21.959 ÷ 21.980
MU P 222520			20			
MU P 222525			25			
MU P 222530			30			
MU P 242715	24	27	15	23.990 ÷ 24.071	27.000 ÷ 27.021	23.959 ÷ 23.980
MU P 242720			20			
MU P 242725			25			
MU P 242730			30			
MU P 242815	24	28	15	23.990 ÷ 24.081	28.000 ÷ 28.021	23.959 ÷ 23.980
MU P 242820			20			
MU P 242825			25			
MU P 242830			30			
MU P 252812	25	28	12	24.990 ÷ 25.071	28.000 ÷ 28.021	24.959 ÷ 24.980
MU P 252815			15			
MU P 252820			20			
MU P 252825			25			
MU P 252830			30			
MU P 252850			50			
MU P 283215	28	32	15	27.990 ÷ 28.085	32.000 ÷ 32.025	27.959 ÷ 27.980
MU P 283220			20			
MU P 283225			25			
MU P 283230			30			
MU P 303410	30	34	10	29.990 ÷ 30.085	34.000 ÷ 34.025	29.959 ÷ 29.980
MU P 303415			15			
MU P 303420			20			
MU P 303425			25			
MU P 303430			30			
MU P 303440			40			
MU P 3236620	32	36	20	31.990 ÷ 32.085	36.000 ÷ 36.025	31.950 ÷ 31.975
MU P 323630			30			
MU P 323640			40			
MU P 353920	35	39	20	34.990 ÷ 35.085	39.000 ÷ 39.025	34.950 ÷ 34.975
MU P 353930			30			
MU P 353935			35			
MU P 353940			40			
MU P 353950			50			

# MU

# SELF-LUBRICATED BEARINGS

METRIC SIZES

Part Number	D1	D2	H	D1 (After Assembly)	Dg (Housing Recommended)	d (Shaft Recommended)
MU P 374120	37	41	20	36.990 ÷ 37.085	41.000 ÷ 41.025	36.950 ÷ 36.975
MU P 404420	40	44	20	39.990 ÷ 40.085	44.000 ÷ 44.025	39.950 ÷ 39.975
MU P 404430			30			
MU P 404440			40			
MU P 404445			45			
MU P 404450			50			
MU P 45505020	45	50	20	44.990 ÷ 45.105	50.000 ÷ 50.025	44.950 ÷ 44.975
MU P 4530			30			
MU P 455040			40			
MU P 455045			45			
MU P 455050			50			
MU P 505520	50	55	20	49.990 ÷ 50.110	55.000 ÷ 55.030	49.950 ÷ 49.975
MU P 505525			25			
MU P 505530			30			
MU P 505540			40			
MU P 505550			50			
MU P 505560	60					
MU P 556020	55	60	20	54.990 ÷ 55.110	60.000 ÷ 60.030	54.940 ÷ 54.970
MU P 556025			25			
MU P 556030			30			
MU P 556040			40			
MU P 556050			50			
MU P 556055	55					
MU P 556060	60					
MU P 606520	60	65	20	59.990 ÷ 60.110	65.000 ÷ 65.030	59.940 ÷ 59.970
MU P 606530			30			
MU P 606540			40			
MU P 606550			50			
MU P 606560			60			
MU P 606570	70					
MU P 657030	65	70	30	64.990 ÷ 65.110	70.000 ÷ 70.030	64.940 ÷ 64.970
MU P 657040			40			
MU P 657050			50			
MU P 657070			70			
MU P 707540	70	75	40	69.990 ÷ 70.110	75.000 ÷ 75.030	69.940 ÷ 69.970
MU P 707550			50			
MU P 707560			60			
MU P 707570			70			
MU P 758040	75	80	40	74.990 ÷ 75.110	80.000 ÷ 80.030	74.940 ÷ 74.970
MU P 758050			50			
MU P 758060			60			
MU P 758070			70			
MU P 758080			80			
MU P 808560	80	85	60	80.020 ÷ 80.155	85.000 ÷ 85.035	79.954 ÷ 80.000
MU P 808580			80			
MU P 8085100			100			
MU P 859030	85	90	30	85.020 ÷ 85.155	90.000 ÷ 90.035	84.946 ÷ 85.000
MU P 859060			60			
MU P 8590100			100			
MU P 909560	90	95	60	90.020 ÷ 90.155	95.000 ÷ 95.035	89.946 ÷ 90.000
MU P 9095100			100			
MU P 9510060	95	100	60	95.020 ÷ 95.155	100.000 ÷ 100.035	94.946 ÷ 95.000
MU P 95100100			100			
MU P 10010550	100	105	50	100.020 ÷ 100.155	105.000 ÷ 105.035	99.946 ÷ 100.000
MU P 10010560			60			

# MU

# SELF-LUBRICATED BEARINGS

METRIC SIZES

Part Number	D1	D2	H	D1 (After Assembly)	Dg (Housing Recommended)	d (Shaft Recommended)
MU P 10010570	100	105	70	100.020 ÷ 100.155	105.000 ÷ 105.035	99.946 ÷ 100.000
MU P 10010580			80			
MU P 100105100			100			
MU P 100105115			115			
MU P 10511060	105	110	60	105.020 ÷ 105.155	110.000 ÷ 110.035	104.946 ÷ 105.000
MU P 105110100			100			
MU P 105110115			115			
MU P 11011560	110	115	60	110.020 ÷ 110.155	115.000 ÷ 115.035	109.946 ÷ 110.000
MU P 110115100			100			
MU P 110115115			115			
MU P 11512050	115	120	50	115.020 ÷ 115.155	120.000 ÷ 120.035	114.946 ÷ 115.000
MU P 11512060			60			
MU P 11512070			70			
MU P 115120115			115			
MU P 12012550	120	125	50	120.070 ÷ 120.210	125.000 ÷ 125.040	119.946 ÷ 120.000
MU P 12012560			60			
MU P 120125100			100			
MU P 12513060	125	130	60	125.070 ÷ 125.210	130.000 ÷ 130.040	124.937 ÷ 125.000
MU P 125130100			100			
MU P 13013560	130	135	60	130.070 ÷ 130.210	135.000 ÷ 135.040	129.937 ÷ 130.000
MU P 130135100			100			
MU P 13514060	135	140	60	135.070 ÷ 135.210	140.000 ÷ 140.040	134.937 ÷ 135.000
MU P 13514080			80			
MU P 135140100			100			
MU P 14014560	140	145	60	140.070 ÷ 140.210	145.000 ÷ 145.040	139.937 ÷ 140.000
MU P 140145100			100			
MU P 14515060	145	150	60	145.070 ÷ 145.210	150.000 ÷ 150.040	144.937 ÷ 145.000
MU P 145150100			100			
MU P 15015560	150	155	60	150.070 ÷ 150.210	155.000 ÷ 155.040	149.937 ÷ 150.000
MU P 15015580			80			
MU P 150155100			100			
MU P 15516060	155	160	60	155.070 ÷ 155.210	160.000 ÷ 160.040	154.937 ÷ 155.000
MU P 155160100			100			
MU P 16016560	160	165	60	160.070 ÷ 160.210	165.000 ÷ 165.040	159.937 ÷ 160.000
MU P 16016580			80			
MU P 160165100			100			
MU P 16517060	165	170	60	165.070 ÷ 165.210	170.000 ÷ 170.040	164.937 ÷ 165.000
MU P 165170100			100			
MU P 17017560	170	175	60	170.070 ÷ 170.210	175.000 ÷ 175.040	169.937 ÷ 170.000
MU P 170175100			100			
MU P 17518060	175	180	60	175.070 ÷ 175.210	180.000 ÷ 180.040	174.937 ÷ 175.000
MU P 175180100			100			
MU P 18018560	180	185	60	180.070 ÷ 180.216	185.000 ÷ 185.046	179.937 ÷ 180.000
MU P 18018580			80			
MU P 180185100			100			
MU P 19019560	190	195	60	190.070 ÷ 190.216	195.000 ÷ 195.046	189.928 ÷ 190.000
MU P 190195100			100			
MU P 20020560	200	205	60	200.070 ÷ 200.216	205.000 ÷ 205.046	199.928 ÷ 200.000
MU P 200205100			100			
MU P 20521060	205	210	60	205.070 ÷ 205.216	210.000 ÷ 210.046	204.928 ÷ 205.000
MU P 205210100			100			
MU P 21021560	210	215	60	210.070 ÷ 210.216	215.000 ÷ 215.046	209.928 ÷ 210.000
MU P 210215100			100			
MU P 21522060	215	220	60	215.070 ÷ 215.216	220.000 ÷ 220.046	214.928 ÷ 215.000
MU P 215220100			100			

# MU

# SELF-LUBRICATED BEARINGS

METRIC SIZES

Part Number	D1	D2	H	D1 (After Assembly)	Dg (Housing Recommended)	d (Shaft Recommended)
MU P 22022560	220	225	60	220.070 ÷ 220.216	225.000 ÷ 225.046	219.928 ÷ 220.000
MU P 220225100			100			
MU P 23023560	230	235	60	230.070 ÷ 230.216	235.000 ÷ 235.046	229.928 ÷ 230.000
MU P 230235100			100			
MU P 24024560	240	245	60	240.070 ÷ 240.216	245.000 ÷ 245.046	239.928 ÷ 240.000
MU P 240245100			100			
MU P 25025560	250	255	60	250.070 ÷ 250.222	255.000 ÷ 255.052	249.928 ÷ 250.000
MU P 250255100			100			
MU P 28028560	280	285	60	280.070 ÷ 280.222	285.000 ÷ 285.052	279.919 ÷ 280.000
MU P 280285100			100			
MU P 30030560	300	305	60	300.070 ÷ 300.222	305.000 ÷ 305.052	299.919 ÷ 300.000
MU P 300305100			100			

*Chamfers General Tolerances:*

Part Number	Part Number	f1	f2
MU P 034.503	MU P 045.510	0.20÷0.80	0.10÷0.40
MU P 050705	MU P 182025	0.20÷1.00	0.10÷0.50
MU P 202310	MU P 252850	0.20÷1.00	0.10÷0.70
MU P 283215	MU P 404450	0.80÷1.60	0.10÷0.70
MU P 455020	MU P 300305100	1.20÷2.40	0.20÷1.00

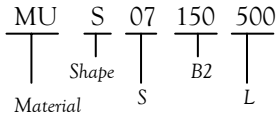
**MU**

**SELF-LUBRICATED STRIPS**

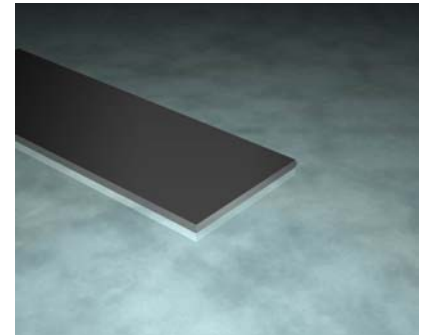
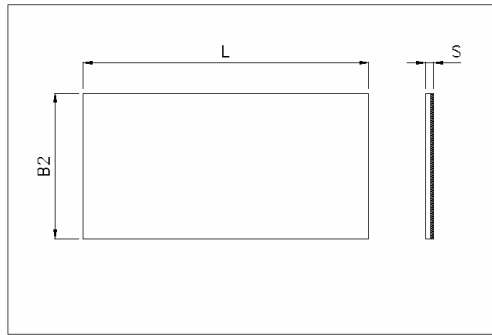
*METRIC SIZES*

Strips

Part Number Structure:



General Tolerances:  
Width (B2) = ±2  
Length (L) = ±2



*Available from stock*

Part Number	S	B2	L
MU S 07150500	0.704 ÷ 0.744	150	500
MU S 10215500	0.950 ÷ 0.990	215	500
MU S 15245500	1.470 ÷ 1.510	245	500
MU S 20245500	1.960 ÷ 2.000	245	500
MU S 25245500	2.460 ÷ 2.500	245	500
MU S 30245500	3.020 ÷ 3.060	245	500

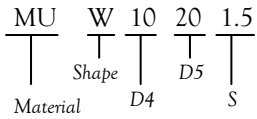
# MU

## SELF-LUBRICATED THRUST WASHERS

METRIC SIZES

Thrust Washers

Part Number Structure:

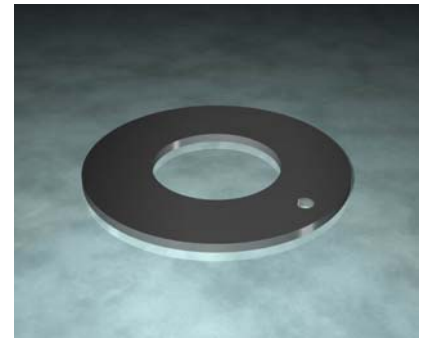
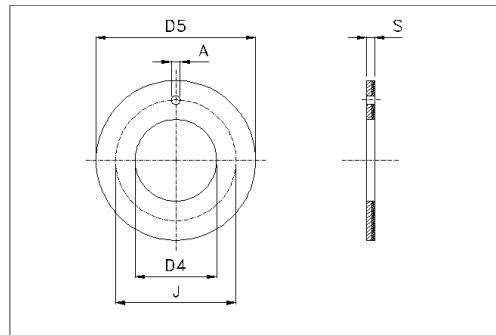


General Tolerances:

I.D. (D4) = -0/+0.25

O.D. (D5) = +0/-0.25

Dowel Hole (J) = ±0.12



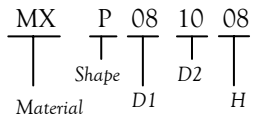
Available from stock

Part Number	D4	D5	S	J	A
MU W 10201.5	10	20	1.450 ÷ 1.500	-	-
MU W 12241.5	12	24	1.450 ÷ 1.500	18	1.620 ÷ 1.870
MU W 14261.5	14	26	1.450 ÷ 1.500	20	2.120 ÷ 2.370
MU W 16301.5	16	30	1.450 ÷ 1.500	22	2.120 ÷ 2.370
MU W 18321.5	18	32	1.450 ÷ 1.500	25	2.120 ÷ 2.370
MU W 20361.5	20	36	1.450 ÷ 1.500	28	3.120 ÷ 3.370
MU W 22381.5	22	38	1.450 ÷ 1.500	30	3.120 ÷ 3.370
MU W 24421.5	24	42	1.450 ÷ 1.500	33	3.120 ÷ 3.370
MU W 26441.5	26	44	1.450 ÷ 1.500	35	3.120 ÷ 3.370
MU W 28481.5	28	48	1.450 ÷ 1.500	38	4.120 ÷ 4.370
MU W 32541.5	32	54	1.450 ÷ 1.500	43	4.120 ÷ 4.370
MU W 38621.5	38	62	1.450 ÷ 1.500	50	4.120 ÷ 4.370
MU W 42661.5	42	66	1.450 ÷ 1.500	54	4.120 ÷ 4.370
MU W 48742.0	48	74	1.950 ÷ 2.000	61	4.120 ÷ 4.370
MU W 52782.0	52	78	1.950 ÷ 2.000	65	4.120 ÷ 4.370
MU W 62902.0	62	90	1.950 ÷ 2.000	76	4.120 ÷ 4.370

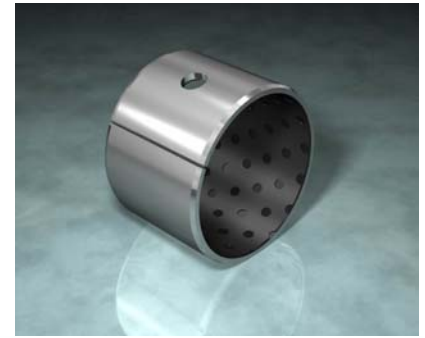
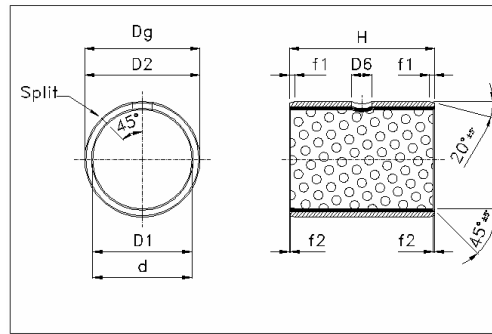


Cylindrical Plain Bearings  
dimension according to ISO 3547

*Part Number Structure:*



General Tolerances:  
Length (H) = ±0.25  
Lubric. Hole (D6) = ±0.30  
Position Hole = 45°



*Available from stock*

Part Number	D1	D2	H	D6	D1 (After As.bly)	Dg (Housing Recom.)	d (Shaft Recomend)
MX P 081008	08	10	08	-	8.040 ÷ 8.105	10.000 ÷ 10.015	7.978 ÷ 8.000
MX P 081010			10				
MX P 081012			12				
MX P 101210	10	12	10	03	10.040 ÷ 10.108	12.000 ÷ 12.018	9.978 ÷ 10.000
MX P 101212			12				
MX P 101215			15				
MX P 101220			20				
MX P 121410	12	14	10	03	12.040 ÷ 12.108	14.000 ÷ 14.018	11.973 ÷ 12.000
MX P 121412			12				
MX P 121415			15				
MX P 121420			20				
MX P 121425			25				
MX P 141615	14	16	15	03	14.040 ÷ 14.108	16.000 ÷ 16.018	13.973 ÷ 14.000
MX P 141620			20				
MX P 141625			25				
MX P 151710	15	17	10	03	15.040 ÷ 15.108	17.000 ÷ 17.018	14.973 ÷ 15.000
MX P 151712			12				
MX P 151715			15				
MX P 151720			20				
MX P 161815	16	18	15	03	16.040 ÷ 16.108	18.000 ÷ 18.018	15.973 ÷ 16.000
MX P 161820			20				
MX P 161825			25				
MX P 182015	18	20	15	03	18.040 ÷ 18.111	20.000 ÷ 20.021	17.973 ÷ 18.000
MX P 182020			20				
MX P 182025			25				
MX P 202310	20	23	10	03	20.050 ÷ 20.131	23.000 ÷ 23.021	19.967 ÷ 20.000
MX P 202315			15				
MX P 202320			20				
MX P 202325			25				
MX P 202330			30				
MX P 222515	22	25	15	03	22.050 ÷ 22.131	25.000 ÷ 25.021	21.967 ÷ 22.000
MX P 222520			20				
MX P 222525			25				
MX P 222530			30				
MX P 242715	24	27	15	04	24.050 ÷ 24.131	27.000 ÷ 27.021	23.967 ÷ 24.000
MX P 242720			20				
MX P 242275			25				
MX P 242730			30				
MX P 252815	25	28	15	04	25.050 ÷ 25.131	28.000 ÷ 28.021	24.967 ÷ 25.000
MX P 252820			20				
MX P 252825			25				
MX P 252830			30				
MX P 283130	28	31	30	04	28.050 ÷ 28.135	31.000 ÷ 31.025	27.967 ÷ 28.000

# MX

# PRE-LUBRICATED BEARINGS

METRIC SIZES

Part Number	D1	D2	H	D6	D1 (After As.bly)	Dg (Housing Recom.)	d (Shaft Recommended)
MX P 283220	28	32	20	04	28.060 ÷ 28.155	32.000 ÷ 32.025	27.967 ÷ 28.000
MX P 283225			25				
MX P 283230			30				
MX P 303420	30	34	20	04	30.060 ÷ 30.155	34.000 ÷ 34.025	29.967 ÷ 30.000
MX P 303430			30				
MX P 303440			40				
MX P 323620	32	36	20	04	32.060 ÷ 32.155	36.000 ÷ 36.025	31.961 ÷ 32.000
MX P 323630			30				
MX P 323635			35				
MX P 323640			40				
MX P 353920	35	39	20	04	35.060 ÷ 35.155	39.000 ÷ 39.025	34.961 ÷ 35.000
MX P 353930			30				
MX P 353935			35				
MX P 353950			50				
MX P 364035	36	40	35	04	36.060 ÷ 36.155	40.000 ÷ 40.025	35.961 ÷ 36.000
MX P 374120	37	41	20	04	37.060 ÷ 37.155	41.000 ÷ 41.025	36.961 ÷ 37.000
MX P 404420	40	44	20	04	40.060 ÷ 40.155	44.000 ÷ 44.025	39.961 ÷ 40.000
MX P 404430			30				
MX P 404440			40				
MX P 404450			50				
MX P 455020	45	50	20	05	45.080 ÷ 45.195	50.000 ÷ 50.025	44.961 ÷ 45.000
MX P 455030			30				
MX P 455040			40				
MX P 455045			45				
MX P 455050			50				
MX P 505540	50	55	40	05	50.080 ÷ 50.200	55.000 ÷ 55.030	49.961 ÷ 50.000
MX P 505550			50				
MX P 505560			60				
MX P 556020	55	60	20	06	55.080 ÷ 55.200	60.000 ÷ 60.030	54.954 ÷ 55.000
MX P 556025			25				
MX P 556030			30				
MX P 556040			40				
MX P 556050			50				
MX P 556060	60	65	60	06	60.080 ÷ 60.200	65.000 ÷ 65.030	59.954 ÷ 60.000
MX P 606530			30				
MX P 606540			40				
MX P 606560			60				
MX P 606570	65	70	70	06	65.080 ÷ 65.200	70.000 ÷ 70.030	64.954 ÷ 65.000
MX P 657040			40				
MX P 657050			50				
MX P 657060			60				
MX P 657070	70	75	70	06	70.080 ÷ 70.200	75.000 ÷ 75.030	69.954 ÷ 70.000
MX P 707540			40				
MX P 707550			50				
MX P 707565			65				
MX P 707570	75	80	70	06	75.080 ÷ 75.200	80.000 ÷ 80.030	74.954 ÷ 75.000
MX P 707580			80				
MX P 758040			40				
MX P 758060	75	80	60	06	75.080 ÷ 75.200	80.000 ÷ 80.030	74.954 ÷ 75.000
MX P 758080			80				
MX P 808540	80	85	40	06	80.080 ÷ 80.205	85.000 ÷ 85.035	79.954 ÷ 80.000
MX P 808550			50				
MX P 808560			60				
MX P 808580			80				
MX P 8085100			100				

<i>Part Number</i>	<i>D1</i>	<i>D2</i>	<i>H</i>	<i>D6</i>	<i>D1 (After As.bly)</i>	<i>Dg (Housing Recom.)</i>	<i>d (Shaft Recommended)</i>
MX P 859030	85	90	30	06	85.080 ÷ 85.205	90.000 ÷ 90.035	84.946 ÷ 85.000
MX P 859040			40				
MX P 859060			60				
MX P 859080			80				
MX P 8590100			100				
MX P 909540	90	95	40	06	90.080 ÷ 90.205	95.000 ÷ 95.035	89.946 ÷ 90.000
MX P 909560			60				
MX P 909580			80				
MX P 909590			90				
MX P 9095100			100				
MX P 9510060	95	100	60	06	95.080 ÷ 95.205	100.000 ÷ 100.035	94.946 ÷ 95.000
MX P 95100100			100				
MX P 10010550	100	105	50	06	100.080 ÷ 100.205	105.000 ÷ 105.035	99.946 ÷ 100.000
MX P 10010560			60				
MX P 10010580			80				
MX P 10010595			95				
MX P 100105115			115				
MX P 10511060	105	110	60	08	105.080 ÷ 105.205	110.000 ÷ 110.035	104.946 ÷ 105.000
MX P 105110110			110				
MX P 105110115			115				
MX P 11011560	110	115	60	08	110.080 ÷ 110.205	115.000 ÷ 115.035	109.946 ÷ 110.000
MX P 110115110			110				
MX P 110115115			115				
MX P 11512050	115	120	50	08	115.080 ÷ 115.205	120.000 ÷ 120.035	114.946 ÷ 115.000
MX P 11512070			70				
MX P 12012560	120	125	60	08	120.080 ÷ 120.210	125.000 ÷ 125.040	119.946 ÷ 120.000
MX P 120125100			100				
MX P 120125110			110				
MX P 12513060	125	130	60	08	125.080 ÷ 125.210	130.000 ÷ 130.040	124.937 ÷ 125.000
MX P 125130100			100				
MX P 125130110			110				
MX P 13013550	130	135	50	08	130.080 ÷ 130.210	135.000 ÷ 135.040	129.937 ÷ 130.000
MX P 13013560			60				
MX P 13013580			80				
MX P 130135100			100				
MX P 13514060	135	140	60	08	135.080 ÷ 135.210	140.000 ÷ 140.040	134.937 ÷ 135.000
MX P 13514080			80				
MX P 14014550	140	145	50	08	140.080 ÷ 140.210	145.000 ÷ 145.040	139.937 ÷ 140.000
MX P 14014560			60				
MX P 14014580			80				
MX P 140145100			100				
MX P 15015550	150	155	50	08	150.080 ÷ 150.210	155.000 ÷ 155.040	149.937 ÷ 150.000
MX P 15015560			60				
MX P 15015580			80				
MX P 150155100			100				
MX P 16016550	160	165	50	08	160.080 ÷ 160.210	165.000 ÷ 165.040	159.937 ÷ 160.000
MX P 16016560			60				
MX P 16016580			80				
MX P 160165100			100				
MX P 17017550	170	175	50	08	170.080 ÷ 170.210	175.000 ÷ 175.040	169.937 ÷ 170.000
MX P 17017560			60				
MX P 17017580			80				
MX P 170175100			100				
MX P 18018550	180	185	50	08	180.080 ÷ 180.216	185.000 ÷ 185.046	179.937 ÷ 180.000
MX P 18018560			60				

# MX

# PRE-LUBRICATED BEARINGS

METRIC SIZES

Part Number	D1	D2	H	D6	D1 (After As.bly)	Dg (Housing Recom.)	d (Shaft Recommended)																																																																																																																										
MX P 18018580	180	185	80	08	180.080 ÷ 180.216	185.000 ÷ 185.046	179.937 ÷ 180.000																																																																																																																										
MX P 180185100			100					MX P 19019550	190	195	50	08	190.080 ÷ 190.216	195.000 ÷ 195.046	189.928 ÷ 190.000	MX P 19019560	60	MX P 19019580	80	MX P 190195100	100	MX P 190195120	120	MX P 20020550	200	205	50	08	200.080 ÷ 200.216	205.000 ÷ 205.046	199.928 ÷ 200.000	MX P 20020560	60	MX P 20020580	80	MX P 200205100	100	MX P 200205120	120	MX P 22022550	220	225	50	08	220.080 ÷ 220.216	225.000 ÷ 225.046	219.928 ÷ 220.000	MX P 22022560	60	MX P 22022580	80	MX P 220225100	100	MX P 220225120	120	MX P 24024550	240	245	50	08	240.080 ÷ 240.216	245.000 ÷ 245.046	239.928 ÷ 240.000	MX P 24024560	60	MX P 24024580	80	MX P 240245100	100	MX P 240245120	120	MX P 25025550	250	255	50	08	250.080 ÷ 250.222	255.000 ÷ 255.052	249.928 ÷ 250.000	MX P 25025560	60	MX P 25025580	80	MX P 250255100	100	MX P 250255120	120	MX P 26026550	260	265	50	08	260.080 ÷ 260.222	265.000 ÷ 265.052	259.919 ÷ 260.000	MX P 26026560	60	MX P 26026580	80	MX P 260265100	100	MX P 260265120	120	MX P 28028550	280	285	50	08	280.080 ÷ 280.222	285.000 ÷ 285.052	279.919 ÷ 280.000	MX P 28028560	60	MX P 28028580	80	MX P 280285100	100	MX P 280285120	120	MX P 30030550	300	305	50	08	300.080 ÷ 300.222	305.000 ÷ 305.052	299.919 ÷ 300.000	MX P 30030560	60
MX P 19019550	190	195	50	08	190.080 ÷ 190.216	195.000 ÷ 195.046	189.928 ÷ 190.000																																																																																																																										
MX P 19019560			60																																																																																																																														
MX P 19019580			80																																																																																																																														
MX P 190195100			100																																																																																																																														
MX P 190195120			120																																																																																																																														
MX P 20020550	200	205	50	08	200.080 ÷ 200.216	205.000 ÷ 205.046	199.928 ÷ 200.000																																																																																																																										
MX P 20020560			60																																																																																																																														
MX P 20020580			80																																																																																																																														
MX P 200205100			100																																																																																																																														
MX P 200205120			120																																																																																																																														
MX P 22022550	220	225	50	08	220.080 ÷ 220.216	225.000 ÷ 225.046	219.928 ÷ 220.000																																																																																																																										
MX P 22022560			60																																																																																																																														
MX P 22022580			80																																																																																																																														
MX P 220225100			100																																																																																																																														
MX P 220225120			120																																																																																																																														
MX P 24024550	240	245	50	08	240.080 ÷ 240.216	245.000 ÷ 245.046	239.928 ÷ 240.000																																																																																																																										
MX P 24024560			60																																																																																																																														
MX P 24024580			80																																																																																																																														
MX P 240245100			100																																																																																																																														
MX P 240245120			120																																																																																																																														
MX P 25025550	250	255	50	08	250.080 ÷ 250.222	255.000 ÷ 255.052	249.928 ÷ 250.000																																																																																																																										
MX P 25025560			60																																																																																																																														
MX P 25025580			80																																																																																																																														
MX P 250255100			100																																																																																																																														
MX P 250255120			120																																																																																																																														
MX P 26026550	260	265	50	08	260.080 ÷ 260.222	265.000 ÷ 265.052	259.919 ÷ 260.000																																																																																																																										
MX P 26026560			60																																																																																																																														
MX P 26026580			80																																																																																																																														
MX P 260265100			100																																																																																																																														
MX P 260265120			120																																																																																																																														
MX P 28028550	280	285	50	08	280.080 ÷ 280.222	285.000 ÷ 285.052	279.919 ÷ 280.000																																																																																																																										
MX P 28028560			60																																																																																																																														
MX P 28028580			80																																																																																																																														
MX P 280285100			100																																																																																																																														
MX P 280285120			120																																																																																																																														
MX P 30030550	300	305	50	08	300.080 ÷ 300.222	305.000 ÷ 305.052	299.919 ÷ 300.000																																																																																																																										
MX P 30030560			60																																																																																																																														
MX P 30030580			80																																																																																																																														
MX P 300305100			100																																																																																																																														
MX P 300305120			120																																																																																																																														

*Chamfers General Tollerances:*

Part Number	Part Number	f1	f2
MU P 081008	MU P 182025	0.20÷1.00	0.10÷0.50
MU P 202310	MU P 283130	0.20÷1.00	0.10÷0.70
MU P 283220	MU P 404450	0.80÷1.60	0.10÷0.70
MU P 455020	MU P 300305120	1.20÷2.40	0.20÷1.00

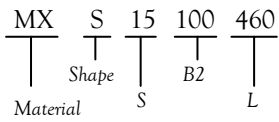
**MX**

**PRE-LUBRICATED STRIPS**

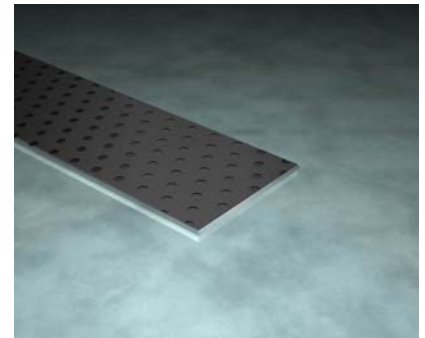
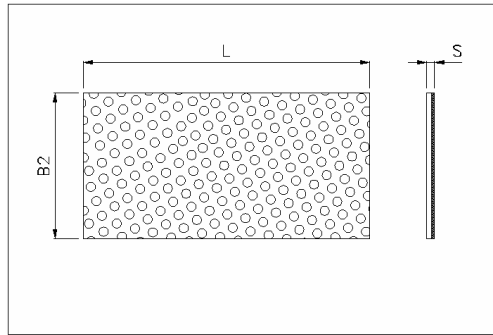
**METRIC SIZES**

Strips

*Part Number Structure:*



General Tollerances:  
 Width (B2) = ±2  
 Length (L) = ±2



*Available from stock*

Part Number	S	B2	L
MX S 1.0070460	1.030 ÷ 1.060	70	460
MX S 1.5100460	1.520 ÷ 1.550	100	460
MX S 2.0100460	2.020 ÷ 2.050	100	460
MX S 2.5100460	2.530 ÷ 2.560	100	460

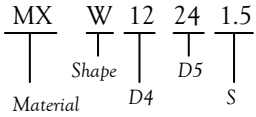
**MX**

**PRE-LUBRICATED THRUST WASHERS**

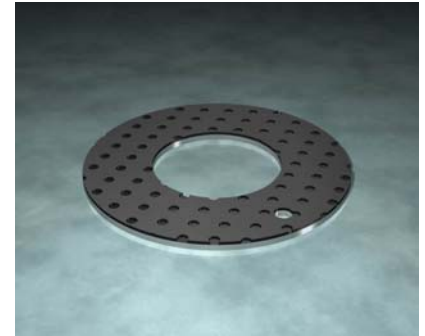
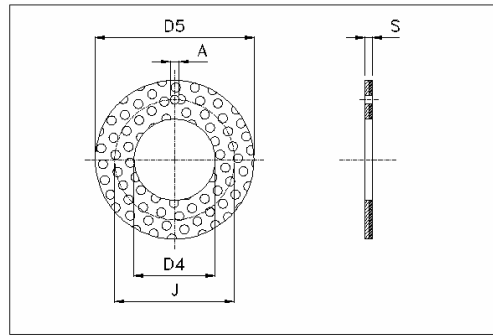
**METRIC SIZES**

Thrust Washers

Part Number Structure:



General Tolerances:  
 I.D. (D4) = -0/+0.25  
 O.D. (D5) = +0/-0.25  
 Dowel Hole (J) = ±0.12



Available from stock

Part Number	D4	D5	S	J	A
MX W 12241.5	12	24	1.487 ÷ 1.577	18	1.620 ÷ 1.870
MX W 14261.5	14	26	1.487 ÷ 1.577	20	2.120 ÷ 2.370
MX W 16301.5	16	30	1.487 ÷ 1.577	22	2.120 ÷ 2.370
MX W 18321.5	18	32	1.487 ÷ 1.577	25	2.120 ÷ 2.370
MX W 20361.5	20	36	1.487 ÷ 1.577	28	3.125 ÷ 3.375
MX W 22381.5	22	38	1.487 ÷ 1.577	30	3.125 ÷ 3.375
MX W 24421.5	24	42	1.487 ÷ 1.577	33	3.125 ÷ 3.375
MX W 26441.5	26	44	1.487 ÷ 1.577	35	3.125 ÷ 3.375
MX W 28481.5	28	48	1.487 ÷ 1.577	38	4.125 ÷ 4.375
MX W 32541.5	32	54	1.487 ÷ 1.577	43	4.125 ÷ 4.375
MX W 38621.5	38	62	1.487 ÷ 1.577	50	4.125 ÷ 4.375
MX W 42661.5	42	66	1.487 ÷ 1.577	54	4.125 ÷ 4.375
MX W 48742.5	48	74	2.510 ÷ 2.600	61	4.125 ÷ 4.375
MX W 52782.5	52	78	2.510 ÷ 2.600	65	4.125 ÷ 4.375



# BRM-10&80 PRE-LUBRICATED BEARINGS

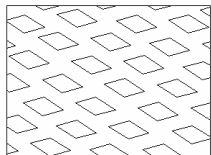
METRIC SIZES

Part Number	D1	D2	D3	H	D1 (After Assembly)	Dg (Housing Recommended)	d (Shaft Recommended)
BRM-... F 18018521560	180	185	215	60	180.000 ÷ 180.115	185.000 ÷ 185.046	179.917 ÷ 179.957
BRM-... F 18018521590				90			
BRM-... F 19019522560	190	195	225	60	190.000 ÷ 190.115	195.000 ÷ 195.046	189.904 ÷ 189.950
BRM-... F 19019522590				90			
BRM-... F 20020523560	200	205	235	60	200.000 ÷ 200.115	205.000 ÷ 205.046	199.904 ÷ 199.950
BRM-... F 20020523590				90			
BRM-... F 22523026060	225	230	260	60	225.000 ÷ 225.115	230.000 ÷ 230.046	224.904 ÷ 224.950
BRM-... F 22523026090				90			
BRM-... F 25025529060	250	255	290	60	250.000 ÷ 250.115	255.000 ÷ 255.052	249.904 ÷ 249.950
BRM-... F 250255290100				90			
BRM-... F 26527030560	265	270	305	60	265.000 ÷ 265.130	270.000 ÷ 270.052	264.892 ÷ 264.944
BRM-... F 26527030590				90			
BRM-... F 28529032560	285	290	325	60	285.000 ÷ 285.130	290.000 ÷ 290.052	284.892 ÷ 284.944
BRM-... F 28529032590				90			
BRM-... F 30030534060	300	305	340	60	300.000 ÷ 300.130	305.000 ÷ 305.052	299.892 ÷ 299.944
BRM-... F 30030534090				90			

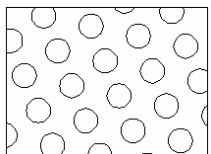
General Tolerances:

Part Number	Part Number	f1	f2	H1	R
BRM-... F 25283515	BRM-... F 25283525	0.20±1.00	0.10±0.50	1.30 ÷ 1.55	1.20 ÷ 1.50
BRM-... F 30344520	BRM-... F 40445540	0.20±1.00	0.10±0.70	1.80 ÷ 2.05	1.70 ÷ 2.00
BRM-... F 45506030	BRM-... F 30030534090	0.80±1.60	0.10±0.70	2.30 ÷ 2.55	2.20 ÷ 2.50

Internal Surface:



BRM-10 (Lozenge Pockets)



BRM-80 (Through Holes)



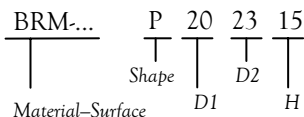
# BRM-10&80

# PRE-LUBRICATED BEARINGS

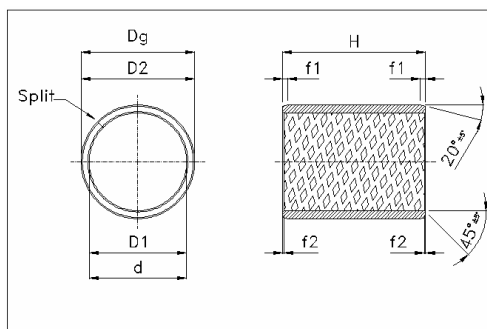
METRIC SIZES

Cylindrical Plain Bearings  
dimension according to ISO 3547

Part Number Structure:



General Tolerances:  
Length (H) = ± 0.25  
Surface = See Last Page



Available from stock

Part Number	D1	D2	H	D1 (After As.bly)	Dg (Housing Recom.)	d (Shaft Recommended)
BRM-... P 101210	10	12	10	10.000 ÷ 10.043	12.000 ÷ 12.018	9.972 ÷ 9.987
BRM-... P 101215			15			
BRM-... P 101220			20			
BRM-... P 121410	12	14	10	12.000 ÷ 12.043	14.000 ÷ 14.018	11.966 ÷ 11.984
BRM-... P 121415			15			
BRM-... P 121420			20			
BRM-... P 131515	13	15	15	13.000 ÷ 13.043	15.000 ÷ 15.018	12.966 ÷ 12.984
BRM-... P 131520			20			
BRM-... P 141610	14	16	10	14.000 ÷ 14.043	16.000 ÷ 16.018	13.966 ÷ 13.984
BRM-... P 141615			15			
BRM-... P 141620			20			
BRM-... P 141625			25			
BRM-... P 151710	15	17	10	15.000 ÷ 15.043	17.000 ÷ 17.018	14.966 ÷ 14.984
BRM-... P 151715			15			
BRM-... P 151720			20			
BRM-... P 151725			25			
BRM-... P 161810	16	18	10	16.000 ÷ 16.043	18.000 ÷ 18.018	15.966 ÷ 15.984
BRM-... P 161815			15			
BRM-... P 161820			20			
BRM-... P 161825			25			
BRM-... P 171915	17	19	15	17.000 ÷ 17.043	19.000 ÷ 19.021	16.966 ÷ 16.984
BRM-... P 171920			20			
BRM-... P 182015	18	20	15	18.000 ÷ 18.043	20.000 ÷ 20.021	17.966 ÷ 17.984
BRM-... P 182020			20			
BRM-... P 182025			25			
BRM-... P 202210	20	22	10	20.000 ÷ 20.052	22.000 ÷ 22.021	19.959 ÷ 19.980
BRM-... P 202215			15			
BRM-... P 202220			20			
BRM-... P 202225			25			
BRM-... P 202310	20	23	10	20.000 ÷ 20.052	23.000 ÷ 23.021	19.959 ÷ 19.980
BRM-... P 202315			15			
BRM-... P 202320			20			
BRM-... P 202325			25			
BRM-... P 202330			30			
BRM-... P 222515	22	25	15	22.000 ÷ 22.052	25.000 ÷ 25.021	21.959 ÷ 21.980
BRM-... P 222520			20			
BRM-... P 222525			25			
BRM-... P 222530			30			
BRM-... P 242715	24	27	15	24.000 ÷ 24.052	27.000 ÷ 27.021	23.959 ÷ 23.980
BRM-... P 242720			20			
BRM-... P 242725			25			
BRM-... P 242730			30			

# BRM-10&80 PRE-LUBRICATED BEARINGS

METRIC SIZES

Part Number	D1	D2	H	D1 (After As.bly)	Dg (Housing Recom.)	d (Shaft Recommended)
BRM-... P 242815	24	28	15	24.000 ÷ 24.052	28.000 ÷ 28.021	23.959 ÷ 23.980
BRM-... P 242820			20			
BRM-... P 242825			25			
BRM-... P 242830			30			
BRM-... P 252815	25	28	15	25.00 ÷ 25.052	28.000 ÷ 28.021	24.959 ÷ 24.980
BRM-... P 252820			20			
BRM-... P 252825			25			
BRM-... P 252830			30			
BRM-... P 252850			50			
BRM-... P 283115	28	31	15	28.000 ÷ 28.052	31.000 ÷ 31.025	27.959 ÷ 27.980
BRM-... P 283120			20			
BRM-... P 283125			25			
BRM-... P 283130			30			
BRM-... P 283215	28	32	15	28.000 ÷ 28.052	32.000 ÷ 32.025	27.959 ÷ 27.980
BRM-... P 283220			20			
BRM-... P 283225			25			
BRM-... P 283230			30			
BRM-... P 303415	30	34	15	30.000 ÷ 30.062	34.000 ÷ 34.025	29.959 ÷ 29.980
BRM-... P 303420			20			
BRM-... P 303425			25			
BRM-... P 303430			30			
BRM-... P 303440			40			
BRM-... P 323620	32	36	20	32.000 ÷ 32.062	36.000 ÷ 36.025	31.950 ÷ 31.975
BRM-... P 323630			30			
BRM-... P 323640			40			
BRM-... P 353920	35	39	20	35.000 ÷ 35.062	39.000 ÷ 39.025	34.950 ÷ 34.975
BRM-... P 353930			30			
BRM-... P 353935			35			
BRM-... P 353940			40			
BRM-... P 353950			50			
BRM-... P 404420	40	44	20	40.000 ÷ 40.062	44.000 ÷ 44.025	39.950 ÷ 39.975
BRM-... P 404430			30			
BRM-... P 404440			40			
BRM-... P 404450			50			
BRM-... P 455020	45	50	20	45.000 ÷ 45.062	50.000 ÷ 50.025	44.950 ÷ 44.975
BRM-... P 455030			30			
BRM-... P 455040			40			
BRM-... P 455050			50			
BRM-... P 505520	50	55	20	50.000 ÷ 50.062	55.000 ÷ 55.030	49.950 ÷ 49.975
BRM-... P 505525			25			
BRM-... P 505530			30			
BRM-... P 505540			40			
BRM-... P 505550			50			
BRM-... P 505560			60			
BRM-... P 556020	55	60	20	55.000 ÷ 55.074	60.000 ÷ 60.030	54.940 ÷ 54.970
BRM-... P 556025			25			
BRM-... P 556030			30			
BRM-... P 556040			40			
BRM-... P 556050			50			
BRM-... P 556060			60			
BRM-... P 606525	60	65	25	60.000 ÷ 60.074	65.000 ÷ 65.030	59.940 ÷ 59.970
BRM-... P 606530			30			
BRM-... P 606540			40			
BRM-... P 606550			50			
BRM-... P 606560			60			

# BRM-10&80 PRE-LUBRICATED BEARINGS

METRIC SIZES

Part Number	D1	D2	H	D1 (After As.bly)	Dg (Housing Recom.)	d (Shaft Recomend)																																																																																																																																																																																
BRM-... P 606570	60	65	70	60.000 ÷ 60.074	65.000 ÷ 65.030	59.940 ÷ 59.970																																																																																																																																																																																
BRM-... P 606580			80				BRM-... P 657030	65	70	30	65.000 ÷ 65.074	70.000 ÷ 70.030	64.940 ÷ 64.970	BRM-... P 657040	40	BRM-... P 657050	50	BRM-... P 657060	60	BRM-... P 657070	70	BRM-... P 657080	80	BRM-... P 707540	70	75	40	70.000 ÷ 70.074	75.000 ÷ 75.030	69.940 ÷ 69.970	BRM-... P 707550	50	BRM-... P 707560	60	BRM-... P 707570	70	BRM-... P 707580	80	BRM-... P 707590	90	BRM-... P 758030	75	80	30	75.000 ÷ 75.074	80.000 ÷ 80.030	74.940 ÷ 74.970	BRM-... P 758040	40	BRM-... P 758050	50	BRM-... P 758060	60	BRM-... P 758070	70	BRM-... P 758080	80	BRM-... P 808530	80	85	30	80.00 ÷ 80.074	85.000 ÷ 85.035	79.929 ÷ 79.964	BRM-... P 808540	40	BRM-... P 808560	60	BRM-... P 808580	80	BRM-... P 8085100	100	BRM-... P 859030	85	90	30	85.000 ÷ 85.087	90.000 ÷ 90.035	84.929 ÷ 84.964	BRM-... P 859040	40	BRM-... P 859060	60	BRM-... P 859080	80	BRM-... P 8590100	100	BRM-... P 909540	90	95	40	90.000 ÷ 90.087	95.000 ÷ 95.035	89.929 ÷ 89.964	BRM-... P 909560	60	BRM-... P 909590	90	BRM-... P 9095100	100	BRM-... P 9510060	95	100	60	95.000 ÷ 95.087	100.000 ÷ 100.035	94.929 ÷ 94.964	BRM-... P 95100100	100	BRM-... P 10010540	100	105	40	100.000 ÷ 100.087	105.000 ÷ 105.035	99.929 ÷ 99.964	BRM-... P 10010550	50	BRM-... P 10010560	60	BRM-... P 10010595	95	BRM-... P 100105100	100	BRM-... P 10511060	105	110	60	105.000 ÷ 105.087	110.000 ÷ 110.035	104.929 ÷ 104.964	BRM-... P 105110100	100	BRM-... P 11011560	110	115	60	110.000 ÷ 110.087	115.000 ÷ 115.035	109.929 ÷ 109.964	BRM-... P 110115100	100	BRM-... P 11512060	115	120	60	115.000 ÷ 115.087	120.000 ÷ 120.035	114.929 ÷ 114.964	BRM-... P 115120100	100	BRM-... P 12012560	120	125	60	120.000 ÷ 120.087	125.000 ÷ 125.040	119.929 ÷ 119.964	BRM-... P 120125100	100	BRM-... P 12513060	125	130	60	125.000 ÷ 125.100	130.000 ÷ 130.040	124.917 ÷ 124.957	BRM-... P 125130100	100	BRM-... P 13013560	130	135	60	130.000 ÷ 130.100	135.000 ÷ 135.040	129.917 ÷ 129.957	BRM-... P 130135100	100	BRM-... P 13514060	135	140	60
BRM-... P 657030	65	70	30	65.000 ÷ 65.074	70.000 ÷ 70.030	64.940 ÷ 64.970																																																																																																																																																																																
BRM-... P 657040			40																																																																																																																																																																																			
BRM-... P 657050			50																																																																																																																																																																																			
BRM-... P 657060			60																																																																																																																																																																																			
BRM-... P 657070			70																																																																																																																																																																																			
BRM-... P 657080			80																																																																																																																																																																																			
BRM-... P 707540	70	75	40	70.000 ÷ 70.074	75.000 ÷ 75.030	69.940 ÷ 69.970																																																																																																																																																																																
BRM-... P 707550			50																																																																																																																																																																																			
BRM-... P 707560			60																																																																																																																																																																																			
BRM-... P 707570			70																																																																																																																																																																																			
BRM-... P 707580			80																																																																																																																																																																																			
BRM-... P 707590			90																																																																																																																																																																																			
BRM-... P 758030	75	80	30	75.000 ÷ 75.074	80.000 ÷ 80.030	74.940 ÷ 74.970																																																																																																																																																																																
BRM-... P 758040			40																																																																																																																																																																																			
BRM-... P 758050			50																																																																																																																																																																																			
BRM-... P 758060			60																																																																																																																																																																																			
BRM-... P 758070			70																																																																																																																																																																																			
BRM-... P 758080			80																																																																																																																																																																																			
BRM-... P 808530	80	85	30	80.00 ÷ 80.074	85.000 ÷ 85.035	79.929 ÷ 79.964																																																																																																																																																																																
BRM-... P 808540			40																																																																																																																																																																																			
BRM-... P 808560			60																																																																																																																																																																																			
BRM-... P 808580			80																																																																																																																																																																																			
BRM-... P 8085100			100																																																																																																																																																																																			
BRM-... P 859030	85	90	30	85.000 ÷ 85.087	90.000 ÷ 90.035	84.929 ÷ 84.964																																																																																																																																																																																
BRM-... P 859040			40																																																																																																																																																																																			
BRM-... P 859060			60																																																																																																																																																																																			
BRM-... P 859080			80																																																																																																																																																																																			
BRM-... P 8590100			100																																																																																																																																																																																			
BRM-... P 909540	90	95	40	90.000 ÷ 90.087	95.000 ÷ 95.035	89.929 ÷ 89.964																																																																																																																																																																																
BRM-... P 909560			60																																																																																																																																																																																			
BRM-... P 909590			90																																																																																																																																																																																			
BRM-... P 9095100			100																																																																																																																																																																																			
BRM-... P 9510060	95	100	60	95.000 ÷ 95.087	100.000 ÷ 100.035	94.929 ÷ 94.964																																																																																																																																																																																
BRM-... P 95100100			100																																																																																																																																																																																			
BRM-... P 10010540	100	105	40	100.000 ÷ 100.087	105.000 ÷ 105.035	99.929 ÷ 99.964																																																																																																																																																																																
BRM-... P 10010550			50																																																																																																																																																																																			
BRM-... P 10010560			60																																																																																																																																																																																			
BRM-... P 10010595			95																																																																																																																																																																																			
BRM-... P 100105100			100																																																																																																																																																																																			
BRM-... P 10511060	105	110	60	105.000 ÷ 105.087	110.000 ÷ 110.035	104.929 ÷ 104.964																																																																																																																																																																																
BRM-... P 105110100			100																																																																																																																																																																																			
BRM-... P 11011560	110	115	60	110.000 ÷ 110.087	115.000 ÷ 115.035	109.929 ÷ 109.964																																																																																																																																																																																
BRM-... P 110115100			100																																																																																																																																																																																			
BRM-... P 11512060	115	120	60	115.000 ÷ 115.087	120.000 ÷ 120.035	114.929 ÷ 114.964																																																																																																																																																																																
BRM-... P 115120100			100																																																																																																																																																																																			
BRM-... P 12012560	120	125	60	120.000 ÷ 120.087	125.000 ÷ 125.040	119.929 ÷ 119.964																																																																																																																																																																																
BRM-... P 120125100			100																																																																																																																																																																																			
BRM-... P 12513060	125	130	60	125.000 ÷ 125.100	130.000 ÷ 130.040	124.917 ÷ 124.957																																																																																																																																																																																
BRM-... P 125130100			100																																																																																																																																																																																			
BRM-... P 13013560	130	135	60	130.000 ÷ 130.100	135.000 ÷ 135.040	129.917 ÷ 129.957																																																																																																																																																																																
BRM-... P 130135100			100																																																																																																																																																																																			
BRM-... P 13514060	135	140	60	135.000 ÷ 135.100	140.000 ÷ 140.040	134.917 ÷ 134.957																																																																																																																																																																																
BRM-... P 135140100			100																																																																																																																																																																																			

# BRM-10&80 PRE-LUBRICATED BEARINGS

METRIC SIZES

Part Number	D1	D2	H	D1 (After As.bly)	Dg (Housing Recom.)	d (Shafti Recomend)																																																																																																																																																																																																																																					
BRM-... P 14014560	140	145	60	140.000 ÷ 140.100	145.000 ÷ 145.040	139.917 ÷ 139.957																																																																																																																																																																																																																																					
BRM-... P 140145100			100				BRM-... P 14515060	145	150	60	145.000 ÷ 145.100	150.000 ÷ 150.040	144.917 ÷ 144.957	BRM-... P 145150100	100	BRM-... P 15015560	150	155	60	150.000 ÷ 150.100	155.000 ÷ 155.040	149.917 ÷ 149.957	BRM-... P 150155100	100	BRM-... P 15516060	155	160	60	155.000 ÷ 155.100	160.000 ÷ 160.040	154.917 ÷ 154.957	BRM-... P 155160100	100	BRM-... P 16016560	160	165	60	160.000 ÷ 160.100	165.000 ÷ 165.040	159.917 ÷ 159.957	BRM-... P 160165100	100	BRM-... P 16517060	165	170	60	165.000 ÷ 165.100	170.000 ÷ 170.040	164.917 ÷ 164.957	BRM-... P 165170100	100	BRM-... P 17017560	170	175	60	170.000 ÷ 170.100	175.000 ÷ 175.040	169.917 ÷ 169.957	BRM-... P 170175100	100	BRM-... P 17518060	175	180	60	175.000 ÷ 175.100	180.000 ÷ 180.040	174.917 ÷ 174.957	BRM-... P 175180100	100	BRM-... P 18018560	180	185	60	180.000 ÷ 180.115	185.000 ÷ 185.046	179.917 ÷ 179.957	BRM-... P 180185100	100	BRM-... P 18519060	185	190	60	185.000 ÷ 185.115	190.000 ÷ 190.046	184.904 ÷ 184.950	BRM-... P 185190100	100	BRM-... P 19019560	190	195	60	190.000 ÷ 190.115	195.000 ÷ 195.046	189.904 ÷ 189.950	BRM-... P 190195100	100	BRM-... P 19520060	195	200	60	195.000 ÷ 195.115	200.000 ÷ 200.046	194.904 ÷ 194.950	BRM-... P 195200100	100	BRM-... P 20020560	200	205	60	200.000 ÷ 200.115	205.000 ÷ 205.046	199.904 ÷ 199.950	BRM-... P 200205100	100	BRM-... P 20521060	205	210	60	205.000 ÷ 205.115	210.000 ÷ 210.046	204.904 ÷ 204.950	BRM-... P 205210100	100	BRM-... P 21021560	210	215	60	210.000 ÷ 210.115	215.000 ÷ 215.046	209.904 ÷ 209.950	BRM-... P 210215100	100	BRM-... P 21522060	215	220	60	215.000 ÷ 215.115	220.000 ÷ 220.046	214.904 ÷ 214.950	BRM-... P 215220100	100	BRM-... P 22022560	220	225	60	220.000 ÷ 220.115	225.000 ÷ 225.046	219.904 ÷ 219.950	BRM-... P 220225100	100	BRM-... P 22523060	225	230	60	225.000 ÷ 225.115	230.000 ÷ 230.046	224.904 ÷ 224.950	BRM-... P 225230100	100	BRM-... P 23023560	230	235	60	230.000 ÷ 230.115	235.000 ÷ 235.046	229.904 ÷ 229.950	BRM-... P 230235100	100	BRM-... P 23524060	235	240	60	235.000 ÷ 235.115	240.000 ÷ 240.046	234.904 ÷ 234.950	BRM-... P 235240100	100	BRM-... P 24024560	240	245	60	240.000 ÷ 240.115	245.000 ÷ 245.046	239.904 ÷ 239.950	BRM-... P 240245100	100	BRM-... P 24525060	245	250	60	245.000 ÷ 245.115	250.000 ÷ 250.046	244.904 ÷ 244.950	BRM-... P 245250100	100	BRM-... P 25025560	250	255	60	250.000 ÷ 250.115	255.000 ÷ 255.052	249.904 ÷ 249.950	BRM-... P 250255100	100	BRM-... P 26026560	260	265	60	260.000 ÷ 260.130	265.000 ÷ 265.052	259.892 ÷ 259.944	BRM-... P 260265100	100	BRM-... P 26527060	265	270	60	265.000 ÷ 265.130	270.000 ÷ 270.052	264.892 ÷ 264.944	BRM-... P 265270100	100	BRM-... P 27027560	270	275	60	270.000 ÷ 270.130	275.000 ÷ 275.052	269.892 ÷ 269.944	BRM-... P 270275100	100	BRM-... P 27528060	275	280	60
BRM-... P 14515060	145	150	60	145.000 ÷ 145.100	150.000 ÷ 150.040	144.917 ÷ 144.957																																																																																																																																																																																																																																					
BRM-... P 145150100			100				BRM-... P 15015560	150	155	60	150.000 ÷ 150.100	155.000 ÷ 155.040	149.917 ÷ 149.957	BRM-... P 150155100	100	BRM-... P 15516060	155	160	60	155.000 ÷ 155.100	160.000 ÷ 160.040	154.917 ÷ 154.957	BRM-... P 155160100	100	BRM-... P 16016560	160	165	60	160.000 ÷ 160.100	165.000 ÷ 165.040	159.917 ÷ 159.957	BRM-... P 160165100	100	BRM-... P 16517060	165	170	60	165.000 ÷ 165.100	170.000 ÷ 170.040	164.917 ÷ 164.957	BRM-... P 165170100	100	BRM-... P 17017560	170	175	60	170.000 ÷ 170.100	175.000 ÷ 175.040	169.917 ÷ 169.957	BRM-... P 170175100	100	BRM-... P 17518060	175	180	60	175.000 ÷ 175.100	180.000 ÷ 180.040	174.917 ÷ 174.957	BRM-... P 175180100	100	BRM-... P 18018560	180	185	60	180.000 ÷ 180.115	185.000 ÷ 185.046	179.917 ÷ 179.957	BRM-... P 180185100	100	BRM-... P 18519060	185	190	60	185.000 ÷ 185.115	190.000 ÷ 190.046	184.904 ÷ 184.950	BRM-... P 185190100	100	BRM-... P 19019560	190	195	60	190.000 ÷ 190.115	195.000 ÷ 195.046	189.904 ÷ 189.950	BRM-... P 190195100	100	BRM-... P 19520060	195	200	60	195.000 ÷ 195.115	200.000 ÷ 200.046	194.904 ÷ 194.950	BRM-... P 195200100	100	BRM-... P 20020560	200	205	60	200.000 ÷ 200.115	205.000 ÷ 205.046	199.904 ÷ 199.950	BRM-... P 200205100	100	BRM-... P 20521060	205	210	60	205.000 ÷ 205.115	210.000 ÷ 210.046	204.904 ÷ 204.950	BRM-... P 205210100	100	BRM-... P 21021560	210	215	60	210.000 ÷ 210.115	215.000 ÷ 215.046	209.904 ÷ 209.950	BRM-... P 210215100	100	BRM-... P 21522060	215	220	60	215.000 ÷ 215.115	220.000 ÷ 220.046	214.904 ÷ 214.950	BRM-... P 215220100	100	BRM-... P 22022560	220	225	60	220.000 ÷ 220.115	225.000 ÷ 225.046	219.904 ÷ 219.950	BRM-... P 220225100	100	BRM-... P 22523060	225	230	60	225.000 ÷ 225.115	230.000 ÷ 230.046	224.904 ÷ 224.950	BRM-... P 225230100	100	BRM-... P 23023560	230	235	60	230.000 ÷ 230.115	235.000 ÷ 235.046	229.904 ÷ 229.950	BRM-... P 230235100	100	BRM-... P 23524060	235	240	60	235.000 ÷ 235.115	240.000 ÷ 240.046	234.904 ÷ 234.950	BRM-... P 235240100	100	BRM-... P 24024560	240	245	60	240.000 ÷ 240.115	245.000 ÷ 245.046	239.904 ÷ 239.950	BRM-... P 240245100	100	BRM-... P 24525060	245	250	60	245.000 ÷ 245.115	250.000 ÷ 250.046	244.904 ÷ 244.950	BRM-... P 245250100	100	BRM-... P 25025560	250	255	60	250.000 ÷ 250.115	255.000 ÷ 255.052	249.904 ÷ 249.950	BRM-... P 250255100	100	BRM-... P 26026560	260	265	60	260.000 ÷ 260.130	265.000 ÷ 265.052	259.892 ÷ 259.944	BRM-... P 260265100	100	BRM-... P 26527060	265	270	60	265.000 ÷ 265.130	270.000 ÷ 270.052	264.892 ÷ 264.944	BRM-... P 265270100	100	BRM-... P 27027560	270	275	60	270.000 ÷ 270.130	275.000 ÷ 275.052	269.892 ÷ 269.944	BRM-... P 270275100	100	BRM-... P 27528060	275	280	60	275.000 ÷ 275.130	280.000 ÷ 280.052	274.892 ÷ 274.944	BRM-... P 275280100	100				
BRM-... P 15015560	150	155	60	150.000 ÷ 150.100	155.000 ÷ 155.040	149.917 ÷ 149.957																																																																																																																																																																																																																																					
BRM-... P 150155100			100				BRM-... P 15516060	155	160	60	155.000 ÷ 155.100	160.000 ÷ 160.040	154.917 ÷ 154.957	BRM-... P 155160100	100	BRM-... P 16016560	160	165	60	160.000 ÷ 160.100	165.000 ÷ 165.040	159.917 ÷ 159.957	BRM-... P 160165100	100	BRM-... P 16517060	165	170	60	165.000 ÷ 165.100	170.000 ÷ 170.040	164.917 ÷ 164.957	BRM-... P 165170100	100	BRM-... P 17017560	170	175	60	170.000 ÷ 170.100	175.000 ÷ 175.040	169.917 ÷ 169.957	BRM-... P 170175100	100	BRM-... P 17518060	175	180	60	175.000 ÷ 175.100	180.000 ÷ 180.040	174.917 ÷ 174.957	BRM-... P 175180100	100	BRM-... P 18018560	180	185	60	180.000 ÷ 180.115	185.000 ÷ 185.046	179.917 ÷ 179.957	BRM-... P 180185100	100	BRM-... P 18519060	185	190	60	185.000 ÷ 185.115	190.000 ÷ 190.046	184.904 ÷ 184.950	BRM-... P 185190100	100	BRM-... P 19019560	190	195	60	190.000 ÷ 190.115	195.000 ÷ 195.046	189.904 ÷ 189.950	BRM-... P 190195100	100	BRM-... P 19520060	195	200	60	195.000 ÷ 195.115	200.000 ÷ 200.046	194.904 ÷ 194.950	BRM-... P 195200100	100	BRM-... P 20020560	200	205	60	200.000 ÷ 200.115	205.000 ÷ 205.046	199.904 ÷ 199.950	BRM-... P 200205100	100	BRM-... P 20521060	205	210	60	205.000 ÷ 205.115	210.000 ÷ 210.046	204.904 ÷ 204.950	BRM-... P 205210100	100	BRM-... P 21021560	210	215	60	210.000 ÷ 210.115	215.000 ÷ 215.046	209.904 ÷ 209.950	BRM-... P 210215100	100	BRM-... P 21522060	215	220	60	215.000 ÷ 215.115	220.000 ÷ 220.046	214.904 ÷ 214.950	BRM-... P 215220100	100	BRM-... P 22022560	220	225	60	220.000 ÷ 220.115	225.000 ÷ 225.046	219.904 ÷ 219.950	BRM-... P 220225100	100	BRM-... P 22523060	225	230	60	225.000 ÷ 225.115	230.000 ÷ 230.046	224.904 ÷ 224.950	BRM-... P 225230100	100	BRM-... P 23023560	230	235	60	230.000 ÷ 230.115	235.000 ÷ 235.046	229.904 ÷ 229.950	BRM-... P 230235100	100	BRM-... P 23524060	235	240	60	235.000 ÷ 235.115	240.000 ÷ 240.046	234.904 ÷ 234.950	BRM-... P 235240100	100	BRM-... P 24024560	240	245	60	240.000 ÷ 240.115	245.000 ÷ 245.046	239.904 ÷ 239.950	BRM-... P 240245100	100	BRM-... P 24525060	245	250	60	245.000 ÷ 245.115	250.000 ÷ 250.046	244.904 ÷ 244.950	BRM-... P 245250100	100	BRM-... P 25025560	250	255	60	250.000 ÷ 250.115	255.000 ÷ 255.052	249.904 ÷ 249.950	BRM-... P 250255100	100	BRM-... P 26026560	260	265	60	260.000 ÷ 260.130	265.000 ÷ 265.052	259.892 ÷ 259.944	BRM-... P 260265100	100	BRM-... P 26527060	265	270	60	265.000 ÷ 265.130	270.000 ÷ 270.052	264.892 ÷ 264.944	BRM-... P 265270100	100	BRM-... P 27027560	270	275	60	270.000 ÷ 270.130	275.000 ÷ 275.052	269.892 ÷ 269.944	BRM-... P 270275100	100	BRM-... P 27528060	275	280	60	275.000 ÷ 275.130	280.000 ÷ 280.052	274.892 ÷ 274.944	BRM-... P 275280100	100													
BRM-... P 15516060	155	160	60	155.000 ÷ 155.100	160.000 ÷ 160.040	154.917 ÷ 154.957																																																																																																																																																																																																																																					
BRM-... P 155160100			100				BRM-... P 16016560	160	165	60	160.000 ÷ 160.100	165.000 ÷ 165.040	159.917 ÷ 159.957	BRM-... P 160165100	100	BRM-... P 16517060	165	170	60	165.000 ÷ 165.100	170.000 ÷ 170.040	164.917 ÷ 164.957	BRM-... P 165170100	100	BRM-... P 17017560	170	175	60	170.000 ÷ 170.100	175.000 ÷ 175.040	169.917 ÷ 169.957	BRM-... P 170175100	100	BRM-... P 17518060	175	180	60	175.000 ÷ 175.100	180.000 ÷ 180.040	174.917 ÷ 174.957	BRM-... P 175180100	100	BRM-... P 18018560	180	185	60	180.000 ÷ 180.115	185.000 ÷ 185.046	179.917 ÷ 179.957	BRM-... P 180185100	100	BRM-... P 18519060	185	190	60	185.000 ÷ 185.115	190.000 ÷ 190.046	184.904 ÷ 184.950	BRM-... P 185190100	100	BRM-... P 19019560	190	195	60	190.000 ÷ 190.115	195.000 ÷ 195.046	189.904 ÷ 189.950	BRM-... P 190195100	100	BRM-... P 19520060	195	200	60	195.000 ÷ 195.115	200.000 ÷ 200.046	194.904 ÷ 194.950	BRM-... P 195200100	100	BRM-... P 20020560	200	205	60	200.000 ÷ 200.115	205.000 ÷ 205.046	199.904 ÷ 199.950	BRM-... P 200205100	100	BRM-... P 20521060	205	210	60	205.000 ÷ 205.115	210.000 ÷ 210.046	204.904 ÷ 204.950	BRM-... P 205210100	100	BRM-... P 21021560	210	215	60	210.000 ÷ 210.115	215.000 ÷ 215.046	209.904 ÷ 209.950	BRM-... P 210215100	100	BRM-... P 21522060	215	220	60	215.000 ÷ 215.115	220.000 ÷ 220.046	214.904 ÷ 214.950	BRM-... P 215220100	100	BRM-... P 22022560	220	225	60	220.000 ÷ 220.115	225.000 ÷ 225.046	219.904 ÷ 219.950	BRM-... P 220225100	100	BRM-... P 22523060	225	230	60	225.000 ÷ 225.115	230.000 ÷ 230.046	224.904 ÷ 224.950	BRM-... P 225230100	100	BRM-... P 23023560	230	235	60	230.000 ÷ 230.115	235.000 ÷ 235.046	229.904 ÷ 229.950	BRM-... P 230235100	100	BRM-... P 23524060	235	240	60	235.000 ÷ 235.115	240.000 ÷ 240.046	234.904 ÷ 234.950	BRM-... P 235240100	100	BRM-... P 24024560	240	245	60	240.000 ÷ 240.115	245.000 ÷ 245.046	239.904 ÷ 239.950	BRM-... P 240245100	100	BRM-... P 24525060	245	250	60	245.000 ÷ 245.115	250.000 ÷ 250.046	244.904 ÷ 244.950	BRM-... P 245250100	100	BRM-... P 25025560	250	255	60	250.000 ÷ 250.115	255.000 ÷ 255.052	249.904 ÷ 249.950	BRM-... P 250255100	100	BRM-... P 26026560	260	265	60	260.000 ÷ 260.130	265.000 ÷ 265.052	259.892 ÷ 259.944	BRM-... P 260265100	100	BRM-... P 26527060	265	270	60	265.000 ÷ 265.130	270.000 ÷ 270.052	264.892 ÷ 264.944	BRM-... P 265270100	100	BRM-... P 27027560	270	275	60	270.000 ÷ 270.130	275.000 ÷ 275.052	269.892 ÷ 269.944	BRM-... P 270275100	100	BRM-... P 27528060	275	280	60	275.000 ÷ 275.130	280.000 ÷ 280.052	274.892 ÷ 274.944	BRM-... P 275280100	100																						
BRM-... P 16016560	160	165	60	160.000 ÷ 160.100	165.000 ÷ 165.040	159.917 ÷ 159.957																																																																																																																																																																																																																																					
BRM-... P 160165100			100				BRM-... P 16517060	165	170	60	165.000 ÷ 165.100	170.000 ÷ 170.040	164.917 ÷ 164.957	BRM-... P 165170100	100	BRM-... P 17017560	170	175	60	170.000 ÷ 170.100	175.000 ÷ 175.040	169.917 ÷ 169.957	BRM-... P 170175100	100	BRM-... P 17518060	175	180	60	175.000 ÷ 175.100	180.000 ÷ 180.040	174.917 ÷ 174.957	BRM-... P 175180100	100	BRM-... P 18018560	180	185	60	180.000 ÷ 180.115	185.000 ÷ 185.046	179.917 ÷ 179.957	BRM-... P 180185100	100	BRM-... P 18519060	185	190	60	185.000 ÷ 185.115	190.000 ÷ 190.046	184.904 ÷ 184.950	BRM-... P 185190100	100	BRM-... P 19019560	190	195	60	190.000 ÷ 190.115	195.000 ÷ 195.046	189.904 ÷ 189.950	BRM-... P 190195100	100	BRM-... P 19520060	195	200	60	195.000 ÷ 195.115	200.000 ÷ 200.046	194.904 ÷ 194.950	BRM-... P 195200100	100	BRM-... P 20020560	200	205	60	200.000 ÷ 200.115	205.000 ÷ 205.046	199.904 ÷ 199.950	BRM-... P 200205100	100	BRM-... P 20521060	205	210	60	205.000 ÷ 205.115	210.000 ÷ 210.046	204.904 ÷ 204.950	BRM-... P 205210100	100	BRM-... P 21021560	210	215	60	210.000 ÷ 210.115	215.000 ÷ 215.046	209.904 ÷ 209.950	BRM-... P 210215100	100	BRM-... P 21522060	215	220	60	215.000 ÷ 215.115	220.000 ÷ 220.046	214.904 ÷ 214.950	BRM-... P 215220100	100	BRM-... P 22022560	220	225	60	220.000 ÷ 220.115	225.000 ÷ 225.046	219.904 ÷ 219.950	BRM-... P 220225100	100	BRM-... P 22523060	225	230	60	225.000 ÷ 225.115	230.000 ÷ 230.046	224.904 ÷ 224.950	BRM-... P 225230100	100	BRM-... P 23023560	230	235	60	230.000 ÷ 230.115	235.000 ÷ 235.046	229.904 ÷ 229.950	BRM-... P 230235100	100	BRM-... P 23524060	235	240	60	235.000 ÷ 235.115	240.000 ÷ 240.046	234.904 ÷ 234.950	BRM-... P 235240100	100	BRM-... P 24024560	240	245	60	240.000 ÷ 240.115	245.000 ÷ 245.046	239.904 ÷ 239.950	BRM-... P 240245100	100	BRM-... P 24525060	245	250	60	245.000 ÷ 245.115	250.000 ÷ 250.046	244.904 ÷ 244.950	BRM-... P 245250100	100	BRM-... P 25025560	250	255	60	250.000 ÷ 250.115	255.000 ÷ 255.052	249.904 ÷ 249.950	BRM-... P 250255100	100	BRM-... P 26026560	260	265	60	260.000 ÷ 260.130	265.000 ÷ 265.052	259.892 ÷ 259.944	BRM-... P 260265100	100	BRM-... P 26527060	265	270	60	265.000 ÷ 265.130	270.000 ÷ 270.052	264.892 ÷ 264.944	BRM-... P 265270100	100	BRM-... P 27027560	270	275	60	270.000 ÷ 270.130	275.000 ÷ 275.052	269.892 ÷ 269.944	BRM-... P 270275100	100	BRM-... P 27528060	275	280	60	275.000 ÷ 275.130	280.000 ÷ 280.052	274.892 ÷ 274.944	BRM-... P 275280100	100																															
BRM-... P 16517060	165	170	60	165.000 ÷ 165.100	170.000 ÷ 170.040	164.917 ÷ 164.957																																																																																																																																																																																																																																					
BRM-... P 165170100			100				BRM-... P 17017560	170	175	60	170.000 ÷ 170.100	175.000 ÷ 175.040	169.917 ÷ 169.957	BRM-... P 170175100	100	BRM-... P 17518060	175	180	60	175.000 ÷ 175.100	180.000 ÷ 180.040	174.917 ÷ 174.957	BRM-... P 175180100	100	BRM-... P 18018560	180	185	60	180.000 ÷ 180.115	185.000 ÷ 185.046	179.917 ÷ 179.957	BRM-... P 180185100	100	BRM-... P 18519060	185	190	60	185.000 ÷ 185.115	190.000 ÷ 190.046	184.904 ÷ 184.950	BRM-... P 185190100	100	BRM-... P 19019560	190	195	60	190.000 ÷ 190.115	195.000 ÷ 195.046	189.904 ÷ 189.950	BRM-... P 190195100	100	BRM-... P 19520060	195	200	60	195.000 ÷ 195.115	200.000 ÷ 200.046	194.904 ÷ 194.950	BRM-... P 195200100	100	BRM-... P 20020560	200	205	60	200.000 ÷ 200.115	205.000 ÷ 205.046	199.904 ÷ 199.950	BRM-... P 200205100	100	BRM-... P 20521060	205	210	60	205.000 ÷ 205.115	210.000 ÷ 210.046	204.904 ÷ 204.950	BRM-... P 205210100	100	BRM-... P 21021560	210	215	60	210.000 ÷ 210.115	215.000 ÷ 215.046	209.904 ÷ 209.950	BRM-... P 210215100	100	BRM-... P 21522060	215	220	60	215.000 ÷ 215.115	220.000 ÷ 220.046	214.904 ÷ 214.950	BRM-... P 215220100	100	BRM-... P 22022560	220	225	60	220.000 ÷ 220.115	225.000 ÷ 225.046	219.904 ÷ 219.950	BRM-... P 220225100	100	BRM-... P 22523060	225	230	60	225.000 ÷ 225.115	230.000 ÷ 230.046	224.904 ÷ 224.950	BRM-... P 225230100	100	BRM-... P 23023560	230	235	60	230.000 ÷ 230.115	235.000 ÷ 235.046	229.904 ÷ 229.950	BRM-... P 230235100	100	BRM-... P 23524060	235	240	60	235.000 ÷ 235.115	240.000 ÷ 240.046	234.904 ÷ 234.950	BRM-... P 235240100	100	BRM-... P 24024560	240	245	60	240.000 ÷ 240.115	245.000 ÷ 245.046	239.904 ÷ 239.950	BRM-... P 240245100	100	BRM-... P 24525060	245	250	60	245.000 ÷ 245.115	250.000 ÷ 250.046	244.904 ÷ 244.950	BRM-... P 245250100	100	BRM-... P 25025560	250	255	60	250.000 ÷ 250.115	255.000 ÷ 255.052	249.904 ÷ 249.950	BRM-... P 250255100	100	BRM-... P 26026560	260	265	60	260.000 ÷ 260.130	265.000 ÷ 265.052	259.892 ÷ 259.944	BRM-... P 260265100	100	BRM-... P 26527060	265	270	60	265.000 ÷ 265.130	270.000 ÷ 270.052	264.892 ÷ 264.944	BRM-... P 265270100	100	BRM-... P 27027560	270	275	60	270.000 ÷ 270.130	275.000 ÷ 275.052	269.892 ÷ 269.944	BRM-... P 270275100	100	BRM-... P 27528060	275	280	60	275.000 ÷ 275.130	280.000 ÷ 280.052	274.892 ÷ 274.944	BRM-... P 275280100	100																																								
BRM-... P 17017560	170	175	60	170.000 ÷ 170.100	175.000 ÷ 175.040	169.917 ÷ 169.957																																																																																																																																																																																																																																					
BRM-... P 170175100			100				BRM-... P 17518060	175	180	60	175.000 ÷ 175.100	180.000 ÷ 180.040	174.917 ÷ 174.957	BRM-... P 175180100	100	BRM-... P 18018560	180	185	60	180.000 ÷ 180.115	185.000 ÷ 185.046	179.917 ÷ 179.957	BRM-... P 180185100	100	BRM-... P 18519060	185	190	60	185.000 ÷ 185.115	190.000 ÷ 190.046	184.904 ÷ 184.950	BRM-... P 185190100	100	BRM-... P 19019560	190	195	60	190.000 ÷ 190.115	195.000 ÷ 195.046	189.904 ÷ 189.950	BRM-... P 190195100	100	BRM-... P 19520060	195	200	60	195.000 ÷ 195.115	200.000 ÷ 200.046	194.904 ÷ 194.950	BRM-... P 195200100	100	BRM-... P 20020560	200	205	60	200.000 ÷ 200.115	205.000 ÷ 205.046	199.904 ÷ 199.950	BRM-... P 200205100	100	BRM-... P 20521060	205	210	60	205.000 ÷ 205.115	210.000 ÷ 210.046	204.904 ÷ 204.950	BRM-... P 205210100	100	BRM-... P 21021560	210	215	60	210.000 ÷ 210.115	215.000 ÷ 215.046	209.904 ÷ 209.950	BRM-... P 210215100	100	BRM-... P 21522060	215	220	60	215.000 ÷ 215.115	220.000 ÷ 220.046	214.904 ÷ 214.950	BRM-... P 215220100	100	BRM-... P 22022560	220	225	60	220.000 ÷ 220.115	225.000 ÷ 225.046	219.904 ÷ 219.950	BRM-... P 220225100	100	BRM-... P 22523060	225	230	60	225.000 ÷ 225.115	230.000 ÷ 230.046	224.904 ÷ 224.950	BRM-... P 225230100	100	BRM-... P 23023560	230	235	60	230.000 ÷ 230.115	235.000 ÷ 235.046	229.904 ÷ 229.950	BRM-... P 230235100	100	BRM-... P 23524060	235	240	60	235.000 ÷ 235.115	240.000 ÷ 240.046	234.904 ÷ 234.950	BRM-... P 235240100	100	BRM-... P 24024560	240	245	60	240.000 ÷ 240.115	245.000 ÷ 245.046	239.904 ÷ 239.950	BRM-... P 240245100	100	BRM-... P 24525060	245	250	60	245.000 ÷ 245.115	250.000 ÷ 250.046	244.904 ÷ 244.950	BRM-... P 245250100	100	BRM-... P 25025560	250	255	60	250.000 ÷ 250.115	255.000 ÷ 255.052	249.904 ÷ 249.950	BRM-... P 250255100	100	BRM-... P 26026560	260	265	60	260.000 ÷ 260.130	265.000 ÷ 265.052	259.892 ÷ 259.944	BRM-... P 260265100	100	BRM-... P 26527060	265	270	60	265.000 ÷ 265.130	270.000 ÷ 270.052	264.892 ÷ 264.944	BRM-... P 265270100	100	BRM-... P 27027560	270	275	60	270.000 ÷ 270.130	275.000 ÷ 275.052	269.892 ÷ 269.944	BRM-... P 270275100	100	BRM-... P 27528060	275	280	60	275.000 ÷ 275.130	280.000 ÷ 280.052	274.892 ÷ 274.944	BRM-... P 275280100	100																																																	
BRM-... P 17518060	175	180	60	175.000 ÷ 175.100	180.000 ÷ 180.040	174.917 ÷ 174.957																																																																																																																																																																																																																																					
BRM-... P 175180100			100				BRM-... P 18018560	180	185	60	180.000 ÷ 180.115	185.000 ÷ 185.046	179.917 ÷ 179.957	BRM-... P 180185100	100	BRM-... P 18519060	185	190	60	185.000 ÷ 185.115	190.000 ÷ 190.046	184.904 ÷ 184.950	BRM-... P 185190100	100	BRM-... P 19019560	190	195	60	190.000 ÷ 190.115	195.000 ÷ 195.046	189.904 ÷ 189.950	BRM-... P 190195100	100	BRM-... P 19520060	195	200	60	195.000 ÷ 195.115	200.000 ÷ 200.046	194.904 ÷ 194.950	BRM-... P 195200100	100	BRM-... P 20020560	200	205	60	200.000 ÷ 200.115	205.000 ÷ 205.046	199.904 ÷ 199.950	BRM-... P 200205100	100	BRM-... P 20521060	205	210	60	205.000 ÷ 205.115	210.000 ÷ 210.046	204.904 ÷ 204.950	BRM-... P 205210100	100	BRM-... P 21021560	210	215	60	210.000 ÷ 210.115	215.000 ÷ 215.046	209.904 ÷ 209.950	BRM-... P 210215100	100	BRM-... P 21522060	215	220	60	215.000 ÷ 215.115	220.000 ÷ 220.046	214.904 ÷ 214.950	BRM-... P 215220100	100	BRM-... P 22022560	220	225	60	220.000 ÷ 220.115	225.000 ÷ 225.046	219.904 ÷ 219.950	BRM-... P 220225100	100	BRM-... P 22523060	225	230	60	225.000 ÷ 225.115	230.000 ÷ 230.046	224.904 ÷ 224.950	BRM-... P 225230100	100	BRM-... P 23023560	230	235	60	230.000 ÷ 230.115	235.000 ÷ 235.046	229.904 ÷ 229.950	BRM-... P 230235100	100	BRM-... P 23524060	235	240	60	235.000 ÷ 235.115	240.000 ÷ 240.046	234.904 ÷ 234.950	BRM-... P 235240100	100	BRM-... P 24024560	240	245	60	240.000 ÷ 240.115	245.000 ÷ 245.046	239.904 ÷ 239.950	BRM-... P 240245100	100	BRM-... P 24525060	245	250	60	245.000 ÷ 245.115	250.000 ÷ 250.046	244.904 ÷ 244.950	BRM-... P 245250100	100	BRM-... P 25025560	250	255	60	250.000 ÷ 250.115	255.000 ÷ 255.052	249.904 ÷ 249.950	BRM-... P 250255100	100	BRM-... P 26026560	260	265	60	260.000 ÷ 260.130	265.000 ÷ 265.052	259.892 ÷ 259.944	BRM-... P 260265100	100	BRM-... P 26527060	265	270	60	265.000 ÷ 265.130	270.000 ÷ 270.052	264.892 ÷ 264.944	BRM-... P 265270100	100	BRM-... P 27027560	270	275	60	270.000 ÷ 270.130	275.000 ÷ 275.052	269.892 ÷ 269.944	BRM-... P 270275100	100	BRM-... P 27528060	275	280	60	275.000 ÷ 275.130	280.000 ÷ 280.052	274.892 ÷ 274.944	BRM-... P 275280100	100																																																										
BRM-... P 18018560	180	185	60	180.000 ÷ 180.115	185.000 ÷ 185.046	179.917 ÷ 179.957																																																																																																																																																																																																																																					
BRM-... P 180185100			100				BRM-... P 18519060	185	190	60	185.000 ÷ 185.115	190.000 ÷ 190.046	184.904 ÷ 184.950	BRM-... P 185190100	100	BRM-... P 19019560	190	195	60	190.000 ÷ 190.115	195.000 ÷ 195.046	189.904 ÷ 189.950	BRM-... P 190195100	100	BRM-... P 19520060	195	200	60	195.000 ÷ 195.115	200.000 ÷ 200.046	194.904 ÷ 194.950	BRM-... P 195200100	100	BRM-... P 20020560	200	205	60	200.000 ÷ 200.115	205.000 ÷ 205.046	199.904 ÷ 199.950	BRM-... P 200205100	100	BRM-... P 20521060	205	210	60	205.000 ÷ 205.115	210.000 ÷ 210.046	204.904 ÷ 204.950	BRM-... P 205210100	100	BRM-... P 21021560	210	215	60	210.000 ÷ 210.115	215.000 ÷ 215.046	209.904 ÷ 209.950	BRM-... P 210215100	100	BRM-... P 21522060	215	220	60	215.000 ÷ 215.115	220.000 ÷ 220.046	214.904 ÷ 214.950	BRM-... P 215220100	100	BRM-... P 22022560	220	225	60	220.000 ÷ 220.115	225.000 ÷ 225.046	219.904 ÷ 219.950	BRM-... P 220225100	100	BRM-... P 22523060	225	230	60	225.000 ÷ 225.115	230.000 ÷ 230.046	224.904 ÷ 224.950	BRM-... P 225230100	100	BRM-... P 23023560	230	235	60	230.000 ÷ 230.115	235.000 ÷ 235.046	229.904 ÷ 229.950	BRM-... P 230235100	100	BRM-... P 23524060	235	240	60	235.000 ÷ 235.115	240.000 ÷ 240.046	234.904 ÷ 234.950	BRM-... P 235240100	100	BRM-... P 24024560	240	245	60	240.000 ÷ 240.115	245.000 ÷ 245.046	239.904 ÷ 239.950	BRM-... P 240245100	100	BRM-... P 24525060	245	250	60	245.000 ÷ 245.115	250.000 ÷ 250.046	244.904 ÷ 244.950	BRM-... P 245250100	100	BRM-... P 25025560	250	255	60	250.000 ÷ 250.115	255.000 ÷ 255.052	249.904 ÷ 249.950	BRM-... P 250255100	100	BRM-... P 26026560	260	265	60	260.000 ÷ 260.130	265.000 ÷ 265.052	259.892 ÷ 259.944	BRM-... P 260265100	100	BRM-... P 26527060	265	270	60	265.000 ÷ 265.130	270.000 ÷ 270.052	264.892 ÷ 264.944	BRM-... P 265270100	100	BRM-... P 27027560	270	275	60	270.000 ÷ 270.130	275.000 ÷ 275.052	269.892 ÷ 269.944	BRM-... P 270275100	100	BRM-... P 27528060	275	280	60	275.000 ÷ 275.130	280.000 ÷ 280.052	274.892 ÷ 274.944	BRM-... P 275280100	100																																																																			
BRM-... P 18519060	185	190	60	185.000 ÷ 185.115	190.000 ÷ 190.046	184.904 ÷ 184.950																																																																																																																																																																																																																																					
BRM-... P 185190100			100				BRM-... P 19019560	190	195	60	190.000 ÷ 190.115	195.000 ÷ 195.046	189.904 ÷ 189.950	BRM-... P 190195100	100	BRM-... P 19520060	195	200	60	195.000 ÷ 195.115	200.000 ÷ 200.046	194.904 ÷ 194.950	BRM-... P 195200100	100	BRM-... P 20020560	200	205	60	200.000 ÷ 200.115	205.000 ÷ 205.046	199.904 ÷ 199.950	BRM-... P 200205100	100	BRM-... P 20521060	205	210	60	205.000 ÷ 205.115	210.000 ÷ 210.046	204.904 ÷ 204.950	BRM-... P 205210100	100	BRM-... P 21021560	210	215	60	210.000 ÷ 210.115	215.000 ÷ 215.046	209.904 ÷ 209.950	BRM-... P 210215100	100	BRM-... P 21522060	215	220	60	215.000 ÷ 215.115	220.000 ÷ 220.046	214.904 ÷ 214.950	BRM-... P 215220100	100	BRM-... P 22022560	220	225	60	220.000 ÷ 220.115	225.000 ÷ 225.046	219.904 ÷ 219.950	BRM-... P 220225100	100	BRM-... P 22523060	225	230	60	225.000 ÷ 225.115	230.000 ÷ 230.046	224.904 ÷ 224.950	BRM-... P 225230100	100	BRM-... P 23023560	230	235	60	230.000 ÷ 230.115	235.000 ÷ 235.046	229.904 ÷ 229.950	BRM-... P 230235100	100	BRM-... P 23524060	235	240	60	235.000 ÷ 235.115	240.000 ÷ 240.046	234.904 ÷ 234.950	BRM-... P 235240100	100	BRM-... P 24024560	240	245	60	240.000 ÷ 240.115	245.000 ÷ 245.046	239.904 ÷ 239.950	BRM-... P 240245100	100	BRM-... P 24525060	245	250	60	245.000 ÷ 245.115	250.000 ÷ 250.046	244.904 ÷ 244.950	BRM-... P 245250100	100	BRM-... P 25025560	250	255	60	250.000 ÷ 250.115	255.000 ÷ 255.052	249.904 ÷ 249.950	BRM-... P 250255100	100	BRM-... P 26026560	260	265	60	260.000 ÷ 260.130	265.000 ÷ 265.052	259.892 ÷ 259.944	BRM-... P 260265100	100	BRM-... P 26527060	265	270	60	265.000 ÷ 265.130	270.000 ÷ 270.052	264.892 ÷ 264.944	BRM-... P 265270100	100	BRM-... P 27027560	270	275	60	270.000 ÷ 270.130	275.000 ÷ 275.052	269.892 ÷ 269.944	BRM-... P 270275100	100	BRM-... P 27528060	275	280	60	275.000 ÷ 275.130	280.000 ÷ 280.052	274.892 ÷ 274.944	BRM-... P 275280100	100																																																																												
BRM-... P 19019560	190	195	60	190.000 ÷ 190.115	195.000 ÷ 195.046	189.904 ÷ 189.950																																																																																																																																																																																																																																					
BRM-... P 190195100			100				BRM-... P 19520060	195	200	60	195.000 ÷ 195.115	200.000 ÷ 200.046	194.904 ÷ 194.950	BRM-... P 195200100	100	BRM-... P 20020560	200	205	60	200.000 ÷ 200.115	205.000 ÷ 205.046	199.904 ÷ 199.950	BRM-... P 200205100	100	BRM-... P 20521060	205	210	60	205.000 ÷ 205.115	210.000 ÷ 210.046	204.904 ÷ 204.950	BRM-... P 205210100	100	BRM-... P 21021560	210	215	60	210.000 ÷ 210.115	215.000 ÷ 215.046	209.904 ÷ 209.950	BRM-... P 210215100	100	BRM-... P 21522060	215	220	60	215.000 ÷ 215.115	220.000 ÷ 220.046	214.904 ÷ 214.950	BRM-... P 215220100	100	BRM-... P 22022560	220	225	60	220.000 ÷ 220.115	225.000 ÷ 225.046	219.904 ÷ 219.950	BRM-... P 220225100	100	BRM-... P 22523060	225	230	60	225.000 ÷ 225.115	230.000 ÷ 230.046	224.904 ÷ 224.950	BRM-... P 225230100	100	BRM-... P 23023560	230	235	60	230.000 ÷ 230.115	235.000 ÷ 235.046	229.904 ÷ 229.950	BRM-... P 230235100	100	BRM-... P 23524060	235	240	60	235.000 ÷ 235.115	240.000 ÷ 240.046	234.904 ÷ 234.950	BRM-... P 235240100	100	BRM-... P 24024560	240	245	60	240.000 ÷ 240.115	245.000 ÷ 245.046	239.904 ÷ 239.950	BRM-... P 240245100	100	BRM-... P 24525060	245	250	60	245.000 ÷ 245.115	250.000 ÷ 250.046	244.904 ÷ 244.950	BRM-... P 245250100	100	BRM-... P 25025560	250	255	60	250.000 ÷ 250.115	255.000 ÷ 255.052	249.904 ÷ 249.950	BRM-... P 250255100	100	BRM-... P 26026560	260	265	60	260.000 ÷ 260.130	265.000 ÷ 265.052	259.892 ÷ 259.944	BRM-... P 260265100	100	BRM-... P 26527060	265	270	60	265.000 ÷ 265.130	270.000 ÷ 270.052	264.892 ÷ 264.944	BRM-... P 265270100	100	BRM-... P 27027560	270	275	60	270.000 ÷ 270.130	275.000 ÷ 275.052	269.892 ÷ 269.944	BRM-... P 270275100	100	BRM-... P 27528060	275	280	60	275.000 ÷ 275.130	280.000 ÷ 280.052	274.892 ÷ 274.944	BRM-... P 275280100	100																																																																																					
BRM-... P 19520060	195	200	60	195.000 ÷ 195.115	200.000 ÷ 200.046	194.904 ÷ 194.950																																																																																																																																																																																																																																					
BRM-... P 195200100			100				BRM-... P 20020560	200	205	60	200.000 ÷ 200.115	205.000 ÷ 205.046	199.904 ÷ 199.950	BRM-... P 200205100	100	BRM-... P 20521060	205	210	60	205.000 ÷ 205.115	210.000 ÷ 210.046	204.904 ÷ 204.950	BRM-... P 205210100	100	BRM-... P 21021560	210	215	60	210.000 ÷ 210.115	215.000 ÷ 215.046	209.904 ÷ 209.950	BRM-... P 210215100	100	BRM-... P 21522060	215	220	60	215.000 ÷ 215.115	220.000 ÷ 220.046	214.904 ÷ 214.950	BRM-... P 215220100	100	BRM-... P 22022560	220	225	60	220.000 ÷ 220.115	225.000 ÷ 225.046	219.904 ÷ 219.950	BRM-... P 220225100	100	BRM-... P 22523060	225	230	60	225.000 ÷ 225.115	230.000 ÷ 230.046	224.904 ÷ 224.950	BRM-... P 225230100	100	BRM-... P 23023560	230	235	60	230.000 ÷ 230.115	235.000 ÷ 235.046	229.904 ÷ 229.950	BRM-... P 230235100	100	BRM-... P 23524060	235	240	60	235.000 ÷ 235.115	240.000 ÷ 240.046	234.904 ÷ 234.950	BRM-... P 235240100	100	BRM-... P 24024560	240	245	60	240.000 ÷ 240.115	245.000 ÷ 245.046	239.904 ÷ 239.950	BRM-... P 240245100	100	BRM-... P 24525060	245	250	60	245.000 ÷ 245.115	250.000 ÷ 250.046	244.904 ÷ 244.950	BRM-... P 245250100	100	BRM-... P 25025560	250	255	60	250.000 ÷ 250.115	255.000 ÷ 255.052	249.904 ÷ 249.950	BRM-... P 250255100	100	BRM-... P 26026560	260	265	60	260.000 ÷ 260.130	265.000 ÷ 265.052	259.892 ÷ 259.944	BRM-... P 260265100	100	BRM-... P 26527060	265	270	60	265.000 ÷ 265.130	270.000 ÷ 270.052	264.892 ÷ 264.944	BRM-... P 265270100	100	BRM-... P 27027560	270	275	60	270.000 ÷ 270.130	275.000 ÷ 275.052	269.892 ÷ 269.944	BRM-... P 270275100	100	BRM-... P 27528060	275	280	60	275.000 ÷ 275.130	280.000 ÷ 280.052	274.892 ÷ 274.944	BRM-... P 275280100	100																																																																																														
BRM-... P 20020560	200	205	60	200.000 ÷ 200.115	205.000 ÷ 205.046	199.904 ÷ 199.950																																																																																																																																																																																																																																					
BRM-... P 200205100			100				BRM-... P 20521060	205	210	60	205.000 ÷ 205.115	210.000 ÷ 210.046	204.904 ÷ 204.950	BRM-... P 205210100	100	BRM-... P 21021560	210	215	60	210.000 ÷ 210.115	215.000 ÷ 215.046	209.904 ÷ 209.950	BRM-... P 210215100	100	BRM-... P 21522060	215	220	60	215.000 ÷ 215.115	220.000 ÷ 220.046	214.904 ÷ 214.950	BRM-... P 215220100	100	BRM-... P 22022560	220	225	60	220.000 ÷ 220.115	225.000 ÷ 225.046	219.904 ÷ 219.950	BRM-... P 220225100	100	BRM-... P 22523060	225	230	60	225.000 ÷ 225.115	230.000 ÷ 230.046	224.904 ÷ 224.950	BRM-... P 225230100	100	BRM-... P 23023560	230	235	60	230.000 ÷ 230.115	235.000 ÷ 235.046	229.904 ÷ 229.950	BRM-... P 230235100	100	BRM-... P 23524060	235	240	60	235.000 ÷ 235.115	240.000 ÷ 240.046	234.904 ÷ 234.950	BRM-... P 235240100	100	BRM-... P 24024560	240	245	60	240.000 ÷ 240.115	245.000 ÷ 245.046	239.904 ÷ 239.950	BRM-... P 240245100	100	BRM-... P 24525060	245	250	60	245.000 ÷ 245.115	250.000 ÷ 250.046	244.904 ÷ 244.950	BRM-... P 245250100	100	BRM-... P 25025560	250	255	60	250.000 ÷ 250.115	255.000 ÷ 255.052	249.904 ÷ 249.950	BRM-... P 250255100	100	BRM-... P 26026560	260	265	60	260.000 ÷ 260.130	265.000 ÷ 265.052	259.892 ÷ 259.944	BRM-... P 260265100	100	BRM-... P 26527060	265	270	60	265.000 ÷ 265.130	270.000 ÷ 270.052	264.892 ÷ 264.944	BRM-... P 265270100	100	BRM-... P 27027560	270	275	60	270.000 ÷ 270.130	275.000 ÷ 275.052	269.892 ÷ 269.944	BRM-... P 270275100	100	BRM-... P 27528060	275	280	60	275.000 ÷ 275.130	280.000 ÷ 280.052	274.892 ÷ 274.944	BRM-... P 275280100	100																																																																																																							
BRM-... P 20521060	205	210	60	205.000 ÷ 205.115	210.000 ÷ 210.046	204.904 ÷ 204.950																																																																																																																																																																																																																																					
BRM-... P 205210100			100				BRM-... P 21021560	210	215	60	210.000 ÷ 210.115	215.000 ÷ 215.046	209.904 ÷ 209.950	BRM-... P 210215100	100	BRM-... P 21522060	215	220	60	215.000 ÷ 215.115	220.000 ÷ 220.046	214.904 ÷ 214.950	BRM-... P 215220100	100	BRM-... P 22022560	220	225	60	220.000 ÷ 220.115	225.000 ÷ 225.046	219.904 ÷ 219.950	BRM-... P 220225100	100	BRM-... P 22523060	225	230	60	225.000 ÷ 225.115	230.000 ÷ 230.046	224.904 ÷ 224.950	BRM-... P 225230100	100	BRM-... P 23023560	230	235	60	230.000 ÷ 230.115	235.000 ÷ 235.046	229.904 ÷ 229.950	BRM-... P 230235100	100	BRM-... P 23524060	235	240	60	235.000 ÷ 235.115	240.000 ÷ 240.046	234.904 ÷ 234.950	BRM-... P 235240100	100	BRM-... P 24024560	240	245	60	240.000 ÷ 240.115	245.000 ÷ 245.046	239.904 ÷ 239.950	BRM-... P 240245100	100	BRM-... P 24525060	245	250	60	245.000 ÷ 245.115	250.000 ÷ 250.046	244.904 ÷ 244.950	BRM-... P 245250100	100	BRM-... P 25025560	250	255	60	250.000 ÷ 250.115	255.000 ÷ 255.052	249.904 ÷ 249.950	BRM-... P 250255100	100	BRM-... P 26026560	260	265	60	260.000 ÷ 260.130	265.000 ÷ 265.052	259.892 ÷ 259.944	BRM-... P 260265100	100	BRM-... P 26527060	265	270	60	265.000 ÷ 265.130	270.000 ÷ 270.052	264.892 ÷ 264.944	BRM-... P 265270100	100	BRM-... P 27027560	270	275	60	270.000 ÷ 270.130	275.000 ÷ 275.052	269.892 ÷ 269.944	BRM-... P 270275100	100	BRM-... P 27528060	275	280	60	275.000 ÷ 275.130	280.000 ÷ 280.052	274.892 ÷ 274.944	BRM-... P 275280100	100																																																																																																																
BRM-... P 21021560	210	215	60	210.000 ÷ 210.115	215.000 ÷ 215.046	209.904 ÷ 209.950																																																																																																																																																																																																																																					
BRM-... P 210215100			100				BRM-... P 21522060	215	220	60	215.000 ÷ 215.115	220.000 ÷ 220.046	214.904 ÷ 214.950	BRM-... P 215220100	100	BRM-... P 22022560	220	225	60	220.000 ÷ 220.115	225.000 ÷ 225.046	219.904 ÷ 219.950	BRM-... P 220225100	100	BRM-... P 22523060	225	230	60	225.000 ÷ 225.115	230.000 ÷ 230.046	224.904 ÷ 224.950	BRM-... P 225230100	100	BRM-... P 23023560	230	235	60	230.000 ÷ 230.115	235.000 ÷ 235.046	229.904 ÷ 229.950	BRM-... P 230235100	100	BRM-... P 23524060	235	240	60	235.000 ÷ 235.115	240.000 ÷ 240.046	234.904 ÷ 234.950	BRM-... P 235240100	100	BRM-... P 24024560	240	245	60	240.000 ÷ 240.115	245.000 ÷ 245.046	239.904 ÷ 239.950	BRM-... P 240245100	100	BRM-... P 24525060	245	250	60	245.000 ÷ 245.115	250.000 ÷ 250.046	244.904 ÷ 244.950	BRM-... P 245250100	100	BRM-... P 25025560	250	255	60	250.000 ÷ 250.115	255.000 ÷ 255.052	249.904 ÷ 249.950	BRM-... P 250255100	100	BRM-... P 26026560	260	265	60	260.000 ÷ 260.130	265.000 ÷ 265.052	259.892 ÷ 259.944	BRM-... P 260265100	100	BRM-... P 26527060	265	270	60	265.000 ÷ 265.130	270.000 ÷ 270.052	264.892 ÷ 264.944	BRM-... P 265270100	100	BRM-... P 27027560	270	275	60	270.000 ÷ 270.130	275.000 ÷ 275.052	269.892 ÷ 269.944	BRM-... P 270275100	100	BRM-... P 27528060	275	280	60	275.000 ÷ 275.130	280.000 ÷ 280.052	274.892 ÷ 274.944	BRM-... P 275280100	100																																																																																																																									
BRM-... P 21522060	215	220	60	215.000 ÷ 215.115	220.000 ÷ 220.046	214.904 ÷ 214.950																																																																																																																																																																																																																																					
BRM-... P 215220100			100				BRM-... P 22022560	220	225	60	220.000 ÷ 220.115	225.000 ÷ 225.046	219.904 ÷ 219.950	BRM-... P 220225100	100	BRM-... P 22523060	225	230	60	225.000 ÷ 225.115	230.000 ÷ 230.046	224.904 ÷ 224.950	BRM-... P 225230100	100	BRM-... P 23023560	230	235	60	230.000 ÷ 230.115	235.000 ÷ 235.046	229.904 ÷ 229.950	BRM-... P 230235100	100	BRM-... P 23524060	235	240	60	235.000 ÷ 235.115	240.000 ÷ 240.046	234.904 ÷ 234.950	BRM-... P 235240100	100	BRM-... P 24024560	240	245	60	240.000 ÷ 240.115	245.000 ÷ 245.046	239.904 ÷ 239.950	BRM-... P 240245100	100	BRM-... P 24525060	245	250	60	245.000 ÷ 245.115	250.000 ÷ 250.046	244.904 ÷ 244.950	BRM-... P 245250100	100	BRM-... P 25025560	250	255	60	250.000 ÷ 250.115	255.000 ÷ 255.052	249.904 ÷ 249.950	BRM-... P 250255100	100	BRM-... P 26026560	260	265	60	260.000 ÷ 260.130	265.000 ÷ 265.052	259.892 ÷ 259.944	BRM-... P 260265100	100	BRM-... P 26527060	265	270	60	265.000 ÷ 265.130	270.000 ÷ 270.052	264.892 ÷ 264.944	BRM-... P 265270100	100	BRM-... P 27027560	270	275	60	270.000 ÷ 270.130	275.000 ÷ 275.052	269.892 ÷ 269.944	BRM-... P 270275100	100	BRM-... P 27528060	275	280	60	275.000 ÷ 275.130	280.000 ÷ 280.052	274.892 ÷ 274.944	BRM-... P 275280100	100																																																																																																																																		
BRM-... P 22022560	220	225	60	220.000 ÷ 220.115	225.000 ÷ 225.046	219.904 ÷ 219.950																																																																																																																																																																																																																																					
BRM-... P 220225100			100				BRM-... P 22523060	225	230	60	225.000 ÷ 225.115	230.000 ÷ 230.046	224.904 ÷ 224.950	BRM-... P 225230100	100	BRM-... P 23023560	230	235	60	230.000 ÷ 230.115	235.000 ÷ 235.046	229.904 ÷ 229.950	BRM-... P 230235100	100	BRM-... P 23524060	235	240	60	235.000 ÷ 235.115	240.000 ÷ 240.046	234.904 ÷ 234.950	BRM-... P 235240100	100	BRM-... P 24024560	240	245	60	240.000 ÷ 240.115	245.000 ÷ 245.046	239.904 ÷ 239.950	BRM-... P 240245100	100	BRM-... P 24525060	245	250	60	245.000 ÷ 245.115	250.000 ÷ 250.046	244.904 ÷ 244.950	BRM-... P 245250100	100	BRM-... P 25025560	250	255	60	250.000 ÷ 250.115	255.000 ÷ 255.052	249.904 ÷ 249.950	BRM-... P 250255100	100	BRM-... P 26026560	260	265	60	260.000 ÷ 260.130	265.000 ÷ 265.052	259.892 ÷ 259.944	BRM-... P 260265100	100	BRM-... P 26527060	265	270	60	265.000 ÷ 265.130	270.000 ÷ 270.052	264.892 ÷ 264.944	BRM-... P 265270100	100	BRM-... P 27027560	270	275	60	270.000 ÷ 270.130	275.000 ÷ 275.052	269.892 ÷ 269.944	BRM-... P 270275100	100	BRM-... P 27528060	275	280	60	275.000 ÷ 275.130	280.000 ÷ 280.052	274.892 ÷ 274.944	BRM-... P 275280100	100																																																																																																																																											
BRM-... P 22523060	225	230	60	225.000 ÷ 225.115	230.000 ÷ 230.046	224.904 ÷ 224.950																																																																																																																																																																																																																																					
BRM-... P 225230100			100				BRM-... P 23023560	230	235	60	230.000 ÷ 230.115	235.000 ÷ 235.046	229.904 ÷ 229.950	BRM-... P 230235100	100	BRM-... P 23524060	235	240	60	235.000 ÷ 235.115	240.000 ÷ 240.046	234.904 ÷ 234.950	BRM-... P 235240100	100	BRM-... P 24024560	240	245	60	240.000 ÷ 240.115	245.000 ÷ 245.046	239.904 ÷ 239.950	BRM-... P 240245100	100	BRM-... P 24525060	245	250	60	245.000 ÷ 245.115	250.000 ÷ 250.046	244.904 ÷ 244.950	BRM-... P 245250100	100	BRM-... P 25025560	250	255	60	250.000 ÷ 250.115	255.000 ÷ 255.052	249.904 ÷ 249.950	BRM-... P 250255100	100	BRM-... P 26026560	260	265	60	260.000 ÷ 260.130	265.000 ÷ 265.052	259.892 ÷ 259.944	BRM-... P 260265100	100	BRM-... P 26527060	265	270	60	265.000 ÷ 265.130	270.000 ÷ 270.052	264.892 ÷ 264.944	BRM-... P 265270100	100	BRM-... P 27027560	270	275	60	270.000 ÷ 270.130	275.000 ÷ 275.052	269.892 ÷ 269.944	BRM-... P 270275100	100	BRM-... P 27528060	275	280	60	275.000 ÷ 275.130	280.000 ÷ 280.052	274.892 ÷ 274.944	BRM-... P 275280100	100																																																																																																																																																				
BRM-... P 23023560	230	235	60	230.000 ÷ 230.115	235.000 ÷ 235.046	229.904 ÷ 229.950																																																																																																																																																																																																																																					
BRM-... P 230235100			100				BRM-... P 23524060	235	240	60	235.000 ÷ 235.115	240.000 ÷ 240.046	234.904 ÷ 234.950	BRM-... P 235240100	100	BRM-... P 24024560	240	245	60	240.000 ÷ 240.115	245.000 ÷ 245.046	239.904 ÷ 239.950	BRM-... P 240245100	100	BRM-... P 24525060	245	250	60	245.000 ÷ 245.115	250.000 ÷ 250.046	244.904 ÷ 244.950	BRM-... P 245250100	100	BRM-... P 25025560	250	255	60	250.000 ÷ 250.115	255.000 ÷ 255.052	249.904 ÷ 249.950	BRM-... P 250255100	100	BRM-... P 26026560	260	265	60	260.000 ÷ 260.130	265.000 ÷ 265.052	259.892 ÷ 259.944	BRM-... P 260265100	100	BRM-... P 26527060	265	270	60	265.000 ÷ 265.130	270.000 ÷ 270.052	264.892 ÷ 264.944	BRM-... P 265270100	100	BRM-... P 27027560	270	275	60	270.000 ÷ 270.130	275.000 ÷ 275.052	269.892 ÷ 269.944	BRM-... P 270275100	100	BRM-... P 27528060	275	280	60	275.000 ÷ 275.130	280.000 ÷ 280.052	274.892 ÷ 274.944	BRM-... P 275280100	100																																																																																																																																																													
BRM-... P 23524060	235	240	60	235.000 ÷ 235.115	240.000 ÷ 240.046	234.904 ÷ 234.950																																																																																																																																																																																																																																					
BRM-... P 235240100			100				BRM-... P 24024560	240	245	60	240.000 ÷ 240.115	245.000 ÷ 245.046	239.904 ÷ 239.950	BRM-... P 240245100	100	BRM-... P 24525060	245	250	60	245.000 ÷ 245.115	250.000 ÷ 250.046	244.904 ÷ 244.950	BRM-... P 245250100	100	BRM-... P 25025560	250	255	60	250.000 ÷ 250.115	255.000 ÷ 255.052	249.904 ÷ 249.950	BRM-... P 250255100	100	BRM-... P 26026560	260	265	60	260.000 ÷ 260.130	265.000 ÷ 265.052	259.892 ÷ 259.944	BRM-... P 260265100	100	BRM-... P 26527060	265	270	60	265.000 ÷ 265.130	270.000 ÷ 270.052	264.892 ÷ 264.944	BRM-... P 265270100	100	BRM-... P 27027560	270	275	60	270.000 ÷ 270.130	275.000 ÷ 275.052	269.892 ÷ 269.944	BRM-... P 270275100	100	BRM-... P 27528060	275	280	60	275.000 ÷ 275.130	280.000 ÷ 280.052	274.892 ÷ 274.944	BRM-... P 275280100	100																																																																																																																																																																						
BRM-... P 24024560	240	245	60	240.000 ÷ 240.115	245.000 ÷ 245.046	239.904 ÷ 239.950																																																																																																																																																																																																																																					
BRM-... P 240245100			100				BRM-... P 24525060	245	250	60	245.000 ÷ 245.115	250.000 ÷ 250.046	244.904 ÷ 244.950	BRM-... P 245250100	100	BRM-... P 25025560	250	255	60	250.000 ÷ 250.115	255.000 ÷ 255.052	249.904 ÷ 249.950	BRM-... P 250255100	100	BRM-... P 26026560	260	265	60	260.000 ÷ 260.130	265.000 ÷ 265.052	259.892 ÷ 259.944	BRM-... P 260265100	100	BRM-... P 26527060	265	270	60	265.000 ÷ 265.130	270.000 ÷ 270.052	264.892 ÷ 264.944	BRM-... P 265270100	100	BRM-... P 27027560	270	275	60	270.000 ÷ 270.130	275.000 ÷ 275.052	269.892 ÷ 269.944	BRM-... P 270275100	100	BRM-... P 27528060	275	280	60	275.000 ÷ 275.130	280.000 ÷ 280.052	274.892 ÷ 274.944	BRM-... P 275280100	100																																																																																																																																																																															
BRM-... P 24525060	245	250	60	245.000 ÷ 245.115	250.000 ÷ 250.046	244.904 ÷ 244.950																																																																																																																																																																																																																																					
BRM-... P 245250100			100				BRM-... P 25025560	250	255	60	250.000 ÷ 250.115	255.000 ÷ 255.052	249.904 ÷ 249.950	BRM-... P 250255100	100	BRM-... P 26026560	260	265	60	260.000 ÷ 260.130	265.000 ÷ 265.052	259.892 ÷ 259.944	BRM-... P 260265100	100	BRM-... P 26527060	265	270	60	265.000 ÷ 265.130	270.000 ÷ 270.052	264.892 ÷ 264.944	BRM-... P 265270100	100	BRM-... P 27027560	270	275	60	270.000 ÷ 270.130	275.000 ÷ 275.052	269.892 ÷ 269.944	BRM-... P 270275100	100	BRM-... P 27528060	275	280	60	275.000 ÷ 275.130	280.000 ÷ 280.052	274.892 ÷ 274.944	BRM-... P 275280100	100																																																																																																																																																																																								
BRM-... P 25025560	250	255	60	250.000 ÷ 250.115	255.000 ÷ 255.052	249.904 ÷ 249.950																																																																																																																																																																																																																																					
BRM-... P 250255100			100				BRM-... P 26026560	260	265	60	260.000 ÷ 260.130	265.000 ÷ 265.052	259.892 ÷ 259.944	BRM-... P 260265100	100	BRM-... P 26527060	265	270	60	265.000 ÷ 265.130	270.000 ÷ 270.052	264.892 ÷ 264.944	BRM-... P 265270100	100	BRM-... P 27027560	270	275	60	270.000 ÷ 270.130	275.000 ÷ 275.052	269.892 ÷ 269.944	BRM-... P 270275100	100	BRM-... P 27528060	275	280	60	275.000 ÷ 275.130	280.000 ÷ 280.052	274.892 ÷ 274.944	BRM-... P 275280100	100																																																																																																																																																																																																	
BRM-... P 26026560	260	265	60	260.000 ÷ 260.130	265.000 ÷ 265.052	259.892 ÷ 259.944																																																																																																																																																																																																																																					
BRM-... P 260265100			100				BRM-... P 26527060	265	270	60	265.000 ÷ 265.130	270.000 ÷ 270.052	264.892 ÷ 264.944	BRM-... P 265270100	100	BRM-... P 27027560	270	275	60	270.000 ÷ 270.130	275.000 ÷ 275.052	269.892 ÷ 269.944	BRM-... P 270275100	100	BRM-... P 27528060	275	280	60	275.000 ÷ 275.130	280.000 ÷ 280.052	274.892 ÷ 274.944	BRM-... P 275280100	100																																																																																																																																																																																																										
BRM-... P 26527060	265	270	60	265.000 ÷ 265.130	270.000 ÷ 270.052	264.892 ÷ 264.944																																																																																																																																																																																																																																					
BRM-... P 265270100			100				BRM-... P 27027560	270	275	60	270.000 ÷ 270.130	275.000 ÷ 275.052	269.892 ÷ 269.944	BRM-... P 270275100	100	BRM-... P 27528060	275	280	60	275.000 ÷ 275.130	280.000 ÷ 280.052	274.892 ÷ 274.944	BRM-... P 275280100	100																																																																																																																																																																																																																			
BRM-... P 27027560	270	275	60	270.000 ÷ 270.130	275.000 ÷ 275.052	269.892 ÷ 269.944																																																																																																																																																																																																																																					
BRM-... P 270275100			100				BRM-... P 27528060	275	280	60	275.000 ÷ 275.130	280.000 ÷ 280.052	274.892 ÷ 274.944	BRM-... P 275280100	100																																																																																																																																																																																																																												
BRM-... P 27528060	275	280	60	275.000 ÷ 275.130	280.000 ÷ 280.052	274.892 ÷ 274.944																																																																																																																																																																																																																																					
BRM-... P 275280100			100																																																																																																																																																																																																																																								

# BRM-10&80 PRE-LUBRICATED BEARINGS

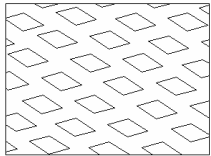
METRIC SIZES

Part Number	D1	D2	H	D1 (After As.bly)	Dg (Housing Recom.)	d (Shaft Recomend)
BRM-... P 28028560	280	285	60	280.000 ÷ 280.130	285.000 ÷ 285.052	279.892 ÷ 279.944
BRM-... P 280285100			100			
BRM-... P 28529060	285	290	60	285.000 ÷ 285.130	290.000 ÷ 290.052	284.892 ÷ 284.944
BRM-... P 285290100			100			
BRM-... P 30030560	300	305	60	300.000 ÷ 300.130	305.000 ÷ 305.052	299.892 ÷ 299.944
BRM-... P 300305100			100			

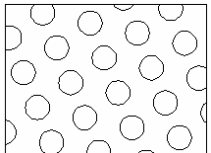
*Chamfers General Tollerances:*

Part Number	Part Number	f1	f2
BRM-... P 101210	BRM-... P 202225	0.20÷1.00	0.10÷0.50
BRM-... P 202310	BRM-... P 283130	0.20÷1.00	0.10÷0.70
BRM-... P 283215	BRM-... P 404450	0.80÷1.60	0.10÷0.70
BRM-... P 455020	BRM-... P 300305100	1.20÷2.40	0.20÷1.00

*Internal Surface:*



*BRM-10 (Lozenge Pockets)*



*BRM-80 (Through Holes)*

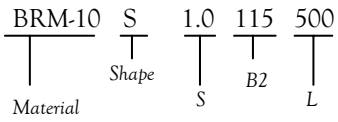
# BRM-10

## PRE-LUBRICATED STRIPS

METRIC SIZES

Strips

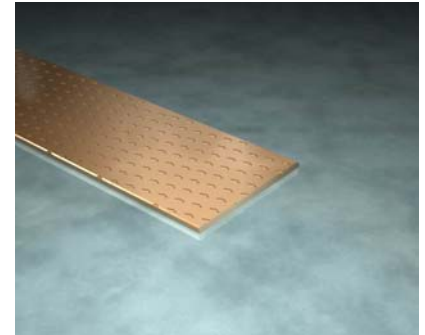
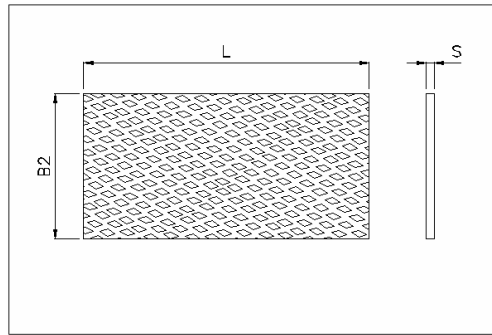
Part Number Structure:



General Tolerances:

Width (B2) = ±2

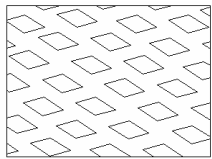
Length (L) = ±2



Available from stock

Part Number	S	B2	L
BRM-10 S 1.0115500	0.950 ÷ 1.000	115	500
BRM-10 S 1.5115500	1.450 ÷ 1.500	115	500
BRM-10 S 2.0115500	1.950 ÷ 2.000	115	500
BRM-10 S 2.5115500	2.450 ÷ 2.500	115	500

Surface:



BRM-10

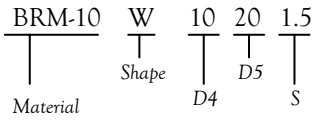
# BRM-10

# PRE-LUBRICATED THRUST WASHERS

METRIC SIZES

Thrust Washers

Part Number Structure:

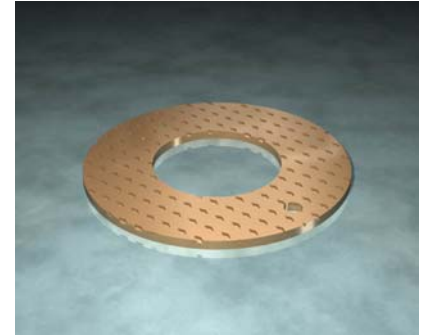
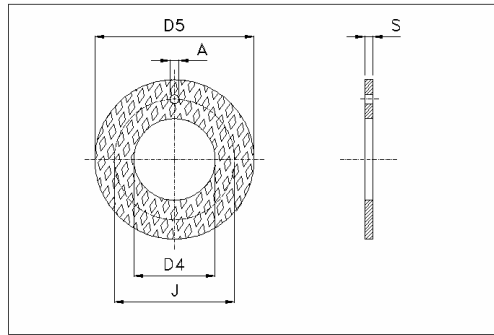


General Tolerances:

I.D. (D4) = -0/+0.25

O.D. (D5) = +0/-0.25

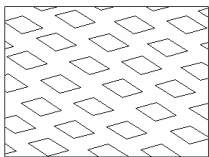
Dowel Hole (J) = ±0.12



Available from stock

Part Number	D4	D5	S	J	A
BRM-10 W 10201.5	10	20	1.450 ÷ 1.500	-	-
BRM-10 W 12241.5	12	24	1.450 ÷ 1.500	18	1.620 ÷ 1.870
BRM-10 W 14261.5	14	26	1.450 ÷ 1.500	20	2.120 ÷ 2.370
BRM-10 W 16301.5	16	30	1.450 ÷ 1.500	22	2.120 ÷ 2.370
BRM-10 W 18321.5	18	32	1.450 ÷ 1.500	25	2.120 ÷ 2.370
BRM-10 W 20361.5	20	36	1.450 ÷ 1.500	28	3.120 ÷ 3.370
BRM-10 W 22381.5	22	38	1.450 ÷ 1.500	30	3.120 ÷ 3.370
BRM-10 W 24421.5	24	42	1.450 ÷ 1.500	33	3.120 ÷ 3.370
BRM-10 W 26441.5	26	44	1.450 ÷ 1.500	35	3.120 ÷ 3.370
BRM-10 W 28481.5	28	48	1.450 ÷ 1.500	38	4.120 ÷ 4.370
BRM-10 W 32541.5	32	54	1.450 ÷ 1.500	43	4.120 ÷ 4.370
BRM-10 W 38621.5	38	62	1.450 ÷ 1.500	50	4.120 ÷ 4.370
BRM-10 W 42661.5	42	66	1.450 ÷ 1.500	54	4.120 ÷ 4.370
BRM-10 W 48742.0	48	74	1.950 ÷ 2.000	61	4.120 ÷ 4.370
BRM-10 W 52752.0	52	78	1.950 ÷ 2.000	65	4.120 ÷ 4.370
BRM-10 W 62902.0	62	90	1.950 ÷ 2.000	76	4.120 ÷ 4.370

Surface:



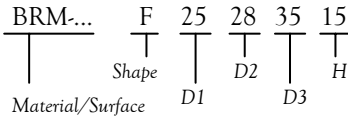
BRM-10 (Lozenge Pockets)

# BRM-10&80 PRE-LUBRICATED BEARINGS

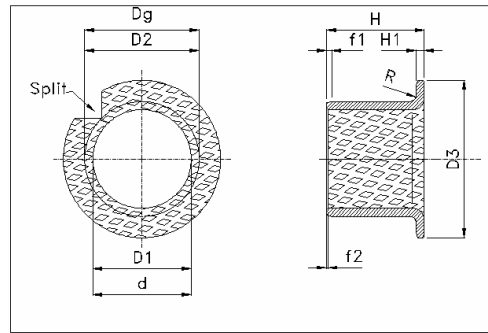
METRIC SIZES

Flanged Plain Bearings  
dimension according to ISO 3547

Part Number Structure:



General Tolerances:  
Length (H) =  $\pm 0.25$   
Flange (D3) =  $\pm 0.50$   
Flange Thick. (H1) =  $+0.05/-0.20$   
Surface = See Last Page



Available from stock

Part Number	D1	D2	D3	H	D1 (After Assembly)	Dg (Housing Recommended)	d (Shaft Recommended)
BRM-... F 25283515	25	28	35	15	25.000 ÷ 25.052	28.000 ÷ 28.021	24.959 ÷ 24.980
BRM-... F 25283525				25			
BRM-... F 30344520	30	34	45	20	30.000 ÷ 30.062	34.000 ÷ 34.025	29.959 ÷ 29.980
BRM-... F 30344530				30			
BRM-... F 35395020	35	39	50	20	35.000 ÷ 35.062	39.000 ÷ 39.025	34.950 ÷ 34.975
BRM-... F 35395035				35			
BRM-... F 40445525	40	44	55	25	40.000 ÷ 40.062	44.000 ÷ 44.025	39.950 ÷ 39.975
BRM-... F 40445540				40			
BRM-... F 45506030	45	50	60	30	45.000 ÷ 45.062	50.000 ÷ 50.025	44.950 ÷ 44.975
BRM-... F 45506045				45			
BRM-... F 50556530	50	55	65	30	50.000 ÷ 50.062	55.000 ÷ 55.030	49.950 ÷ 49.975
BRM-... F 50556550				50			
BRM-... F 55607030	55	60	70	30	55.000 ÷ 55.074	60.000 ÷ 60.030	54.940 ÷ 54.970
BRM-... F 55607050				50			
BRM-... F 60657530	60	65	75	30	60.000 ÷ 60.074	65.000 ÷ 65.030	59.940 ÷ 59.970
BRM-... F 60657560				60			
BRM-... F 65708030	65	70	80	30	65.000 ÷ 65.074	70.000 ÷ 70.030	64.940 ÷ 64.970
BRM-... F 65708060				60			
BRM-... F 70758540	70	75	85	40	70.000 ÷ 70.074	75.000 ÷ 75.030	69.940 ÷ 69.970
BRM-... F 70758570				70			
BRM-... F 75809040	75	80	90	40	75.000 ÷ 75.074	80.000 ÷ 80.030	74.940 ÷ 74.970
BRM-... F 75809070				70			
BRM-... F 808510040	80	85	100	40	80.000 ÷ 80.074	85.000 ÷ 85.035	79.929 ÷ 79.964
BRM-... F 808510080				80			
BRM-... F 909511050	90	95	110	50	90.000 ÷ 90.087	95.000 ÷ 95.035	89.929 ÷ 89.964
BRM-... F 909511090				90			
BRM-... F 10010512050	100	105	120	50	100.000 ÷ 100.087	105.000 ÷ 105.035	99.929 ÷ 99.964
BRM-... F 10010512090				90			
BRM-... F 11011513050	110	115	130	50	110.000 ÷ 110.087	115.000 ÷ 115.035	109.929 ÷ 109.964
BRM-... F 11011513090				90			
BRM-... F 12012514050	120	125	140	50	120.000 ÷ 120.087	125.000 ÷ 125.040	119.929 ÷ 119.964
BRM-... F 12012514090				90			
BRM-... F 13013515560	130	135	155	60	130.000 ÷ 130.100	135.000 ÷ 135.040	129.917 ÷ 129.957
BRM-... F 13013515590				90			
BRM-... F 14014516560	140	145	165	60	140.000 ÷ 140.100	145.000 ÷ 145.040	139.917 ÷ 139.957
BRM-... F 14014516590				90			
BRM-... F 15015518060	150	155	180	60	150.000 ÷ 150.100	155.000 ÷ 155.040	149.917 ÷ 149.957
BRM-... F 15015518090				90			
BRM-... F 16016519060	160	165	190	60	160.000 ÷ 160.100	165.000 ÷ 165.040	159.917 ÷ 160.957
BRM-... F 16016519090				90			
BRM-... F 17017520060	170	175	200	60	170.000 ÷ 170.100	175.000 ÷ 175.040	169.917 ÷ 169.957
BRM-... F 17017520090				90			



# BRM-10&80 PRE-LUBRICATED BEARINGS

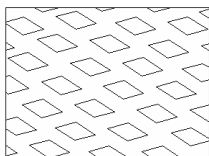
METRIC SIZES

Part Number	D1	D2	D3	H	D1 (After Assembly)	Dg (Housing Recommended)	d (Shaft Recommended)
BRM-... F 18018521560	180	185	215	60	180.000 ÷ 180.115	185.000 ÷ 185.046	179.917 ÷ 179.957
BRM-... F 18018521590				90			
BRM-... F 19019522560	190	195	225	60	190.000 ÷ 190.115	195.000 ÷ 195.046	189.904 ÷ 189.950
BRM-... F 19019522590				90			
BRM-... F 20020523560	200	205	235	60	200.000 ÷ 200.115	205.000 ÷ 205.046	199.904 ÷ 199.950
BRM-... F 20020523590				90			
BRM-... F 22523026060	225	230	260	60	225.000 ÷ 225.115	230.000 ÷ 230.046	224.904 ÷ 224.950
BRM-... F 22523026090				90			
BRM-... F 25025529060	250	255	290	60	250.000 ÷ 250.115	255.000 ÷ 255.052	249.904 ÷ 249.950
BRM-... F 250255290100				90			
BRM-... F 26527030560	265	270	305	60	265.000 ÷ 265.130	270.000 ÷ 270.052	264.892 ÷ 264.944
BRM-... F 26527030590				90			
BRM-... F 28529032560	285	290	325	60	285.000 ÷ 285.130	290.000 ÷ 290.052	284.892 ÷ 284.944
BRM-... F 28529032590				90			
BRM-... F 30030534060	300	305	340	60	300.000 ÷ 300.130	305.000 ÷ 305.052	299.892 ÷ 299.944
BRM-... F 30030534090				90			

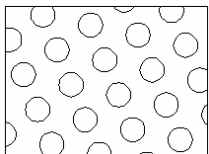
General Tolerances:

Part Number	Part Number	f1	f2	H1	R
BRM-... F 25283515	BRM-... F 25283525	0.20÷1.00	0.10÷0.50	1.30 ÷ 1.55	1.20 ÷ 1.50
BRM-... F 30344520	BRM-... F 40445540	0.20÷1.00	0.10÷0.70	1.80 ÷ 2.05	1.70 ÷ 2.00
BRM-... F 45506030	BRM-... F 30030534090	0.80÷1.60	0.10÷0.70	2.30 ÷ 2.55	2.20 ÷ 2.50

Internal Surface:



BRM-10 (Lozenge Pockets)



BRM-80 (Through Holes)

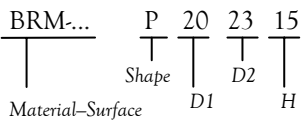
# BRM-10&80

# PRE-LUBRICATED BEARINGS

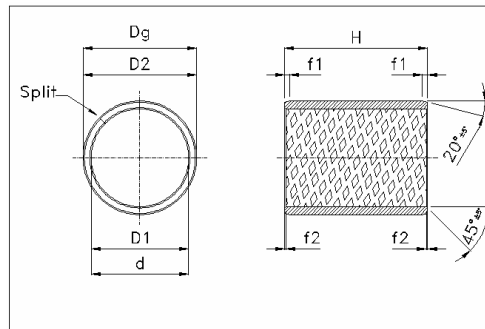
METRIC SIZES

Cylindrical Plain Bearings  
dimension according to ISO 3547

Part Number Structure:



General Tolerances:  
Length (H) = ±0.25  
Surface = See Last Page



Available from stock

Part Number	D1	D2	H	D1 (After As.bly)	Dg (Housing Recom.)	d (Shaft Recommended)			
BRM-... P 101210	10	12	10	10.000 ÷ 10.043	12.000 ÷ 12.018	9.972 ÷ 9.987			
BRM-... P 101215			15						
BRM-... P 101220			20						
BRM-... P 121410	12	14	10	12.000 ÷ 12.043	14.000 ÷ 14.018	11.966 ÷ 11.984			
BRM-... P 121415			15						
BRM-... P 121420			20						
BRM-... P 131515	13	15	15	13.000 ÷ 13.043	15.000 ÷ 15.018	12.966 ÷ 12.984			
BRM-... P 131520			20						
BRM-... P 141610	14	16	10	14.000 ÷ 14.043	16.000 ÷ 16.018	13.966 ÷ 13.984			
BRM-... P 141615			15						
BRM-... P 141620			20						
BRM-... P 141625			25						
BRM-... P 151710	15	17	10	15.000 ÷ 15.043	17.000 ÷ 17.018	14.966 ÷ 14.984			
BRM-... P 151715			15						
BRM-... P 151720			20						
BRM-... P 151725			25						
BRM-... P 161810	16	18	10	16.000 ÷ 16.043	18.000 ÷ 18.018	15.966 ÷ 15.984			
BRM-... P 161815			15						
BRM-... P 161820			20						
BRM-... P 161825			25						
BRM-... P 171915	17	19	15	17.000 ÷ 17.043	19.000 ÷ 19.021	16.966 ÷ 16.984			
BRM-... P 171920			20						
BRM-... P 182015	18	20	15	18.000 ÷ 18.043	20.000 ÷ 20.021	17.966 ÷ 17.984			
BRM-... P 182020			20						
BRM-... P 182025			25						
BRM-... P 202210	20	22	10	20.000 ÷ 20.052	22.000 ÷ 22.021	19.959 ÷ 19.980			
BRM-... P 202215			15						
BRM-... P 202220			20						
BRM-... P 202225			25						
BRM-... P 202310	20	23	10	20.000 ÷ 20.052	23.000 ÷ 23.021	19.959 ÷ 19.980			
BRM-... P 202315			15						
BRM-... P 202320			20						
BRM-... P 202325			25						
BRM-... P 202330	20	23	30	20.000 ÷ 20.052	23.000 ÷ 23.021	19.959 ÷ 19.980			
BRM-... P 222515			15				22.000 ÷ 22.052	25.000 ÷ 25.021	21.959 ÷ 21.980
BRM-... P 222520			20						
BRM-... P 222525			25						
BRM-... P 222530	30								
BRM-... P 242715	24	27	15	24.000 ÷ 24.052	27.000 ÷ 27.021	23.959 ÷ 23.980			
BRM-... P 242720			20						
BRM-... P 242725			25						
BRM-... P 242730			30						

# BRM-10&80 PRE-LUBRICATED BEARINGS

METRIC SIZES

Part Number	D1	D2	H	D1 (After As.bly)	Dg (Housing Recom.)	d (Shaft Recommended)
BRM-... P 242815	24	28	15	24.000 ÷ 24.052	28.000 ÷ 28.021	23.959 ÷ 23.980
BRM-... P 242820			20			
BRM-... P 242825			25			
BRM-... P 242830			30			
BRM-... P 252815	25	28	15	25.00 ÷ 25.052	28.000 ÷ 28.021	24.959 ÷ 24.980
BRM-... P 252820			20			
BRM-... P 252825			25			
BRM-... P 252830			30			
BRM-... P 252850			50			
BRM-... P 283115	28	31	15	28.000 ÷ 28.052	31.000 ÷ 31.025	27.959 ÷ 27.980
BRM-... P 283120			20			
BRM-... P 283125			25			
BRM-... P 283130			30			
BRM-... P 283215	28	32	15	28.000 ÷ 28.052	32.000 ÷ 32.025	27.959 ÷ 27.980
BRM-... P 283220			20			
BRM-... P 283225			25			
BRM-... P 283230			30			
BRM-... P 303415	30	34	15	30.000 ÷ 30.062	34.000 ÷ 34.025	29.959 ÷ 29.980
BRM-... P 303420			20			
BRM-... P 303425			25			
BRM-... P 303430			30			
BRM-... P 303440			40			
BRM-... P 323620	32	36	20	32.000 ÷ 32.062	36.000 ÷ 36.025	31.950 ÷ 31.975
BRM-... P 323630			30			
BRM-... P 323640			40			
BRM-... P 353920	35	39	20	35.000 ÷ 35.062	39.000 ÷ 39.025	34.950 ÷ 34.975
BRM-... P 353930			30			
BRM-... P 353935			35			
BRM-... P 353940			40			
BRM-... P 353950			50			
BRM-... P 404420	40	44	20	40.000 ÷ 40.062	44.000 ÷ 44.025	39.950 ÷ 39.975
BRM-... P 404430			30			
BRM-... P 404440			40			
BRM-... P 404450			50			
BRM-... P 455020	45	50	20	45.000 ÷ 45.062	50.000 ÷ 50.025	44.950 ÷ 44.975
BRM-... P 455030			30			
BRM-... P 455040			40			
BRM-... P 455050			50			
BRM-... P 505520	50	55	20	50.000 ÷ 50.062	55.000 ÷ 55.030	49.950 ÷ 49.975
BRM-... P 505525			25			
BRM-... P 505530			30			
BRM-... P 505540			40			
BRM-... P 505550			50			
BRM-... P 505560			60			
BRM-... P 556020	55	60	20	55.000 ÷ 55.074	60.000 ÷ 60.030	54.940 ÷ 54.970
BRM-... P 556025			25			
BRM-... P 556030			30			
BRM-... P 556040			40			
BRM-... P 556050			50			
BRM-... P 556060			60			
BRM-... P 606525	60	65	25	60.000 ÷ 60.074	65.000 ÷ 65.030	59.940 ÷ 59.970
BRM-... P 606530			30			
BRM-... P 606540			40			
BRM-... P 606550			50			
BRM-... P 606560			60			

# BRM-10&80 PRE-LUBRICATED BEARINGS

METRIC SIZES

Part Number	D1	D2	H	D1 (After As.bly)	Dg (Housing Recom.)	d (Shaft Recomend)																																																																																																																																																																																
BRM-... P 606570	60	65	70	60.000 ÷ 60.074	65.000 ÷ 65.030	59.940 ÷ 59.970																																																																																																																																																																																
BRM-... P 606580			80				BRM-... P 657030	65	70	30	65.000 ÷ 65.074	70.000 ÷ 70.030	64.940 ÷ 64.970	BRM-... P 657040	40	BRM-... P 657050	50	BRM-... P 657060	60	BRM-... P 657070	70	BRM-... P 657080	80	BRM-... P 707540	70	75	40	70.000 ÷ 70.074	75.000 ÷ 75.030	69.940 ÷ 69.970	BRM-... P 707550	50	BRM-... P 707560	60	BRM-... P 707570	70	BRM-... P 707580	80	BRM-... P 707590	90	BRM-... P 758030	75	80	30	75.000 ÷ 75.074	80.000 ÷ 80.030	74.940 ÷ 74.970	BRM-... P 758040	40	BRM-... P 758050	50	BRM-... P 758060	60	BRM-... P 758070	70	BRM-... P 758080	80	BRM-... P 808530	80	85	30	80.00 ÷ 80.074	85.000 ÷ 85.035	79.929 ÷ 79.964	BRM-... P 808540	40	BRM-... P 808560	60	BRM-... P 808580	80	BRM-... P 8085100	100	BRM-... P 859030	85	90	30	85.000 ÷ 85.087	90.000 ÷ 90.035	84.929 ÷ 84.964	BRM-... P 859040	40	BRM-... P 859060	60	BRM-... P 859080	80	BRM-... P 8590100	100	BRM-... P 909540	90	95	40	90.000 ÷ 90.087	95.000 ÷ 95.035	89.929 ÷ 89.964	BRM-... P 909560	60	BRM-... P 909590	90	BRM-... P 9095100	100	BRM-... P 9510060	95	100	60	95.000 ÷ 95.087	100.000 ÷ 100.035	94.929 ÷ 94.964	BRM-... P 95100100	100	BRM-... P 10010540	100	105	40	100.000 ÷ 100.087	105.000 ÷ 105.035	99.929 ÷ 99.964	BRM-... P 10010550	50	BRM-... P 10010560	60	BRM-... P 10010595	95	BRM-... P 100105100	100	BRM-... P 10511060	105	110	60	105.000 ÷ 105.087	110.000 ÷ 110.035	104.929 ÷ 104.964	BRM-... P 105110100	100	BRM-... P 11011560	110	115	60	110.000 ÷ 110.087	115.000 ÷ 115.035	109.929 ÷ 109.964	BRM-... P 110115100	100	BRM-... P 11512060	115	120	60	115.000 ÷ 115.087	120.000 ÷ 120.035	114.929 ÷ 114.964	BRM-... P 115120100	100	BRM-... P 12012560	120	125	60	120.000 ÷ 120.087	125.000 ÷ 125.040	119.929 ÷ 119.964	BRM-... P 120125100	100	BRM-... P 12513060	125	130	60	125.000 ÷ 125.100	130.000 ÷ 130.040	124.917 ÷ 124.957	BRM-... P 125130100	100	BRM-... P 13013560	130	135	60	130.000 ÷ 130.100	135.000 ÷ 135.040	129.917 ÷ 129.957	BRM-... P 130135100	100	BRM-... P 13514060	135	140	60
BRM-... P 657030	65	70	30	65.000 ÷ 65.074	70.000 ÷ 70.030	64.940 ÷ 64.970																																																																																																																																																																																
BRM-... P 657040			40																																																																																																																																																																																			
BRM-... P 657050			50																																																																																																																																																																																			
BRM-... P 657060			60																																																																																																																																																																																			
BRM-... P 657070			70																																																																																																																																																																																			
BRM-... P 657080			80																																																																																																																																																																																			
BRM-... P 707540			70				75	40	70.000 ÷ 70.074	75.000 ÷ 75.030	69.940 ÷ 69.970																																																																																																																																																																											
BRM-... P 707550	50																																																																																																																																																																																					
BRM-... P 707560	60																																																																																																																																																																																					
BRM-... P 707570	70																																																																																																																																																																																					
BRM-... P 707580	80																																																																																																																																																																																					
BRM-... P 707590	90																																																																																																																																																																																					
BRM-... P 758030	75	80		30	75.000 ÷ 75.074	80.000 ÷ 80.030		74.940 ÷ 74.970																																																																																																																																																																														
BRM-... P 758040			40																																																																																																																																																																																			
BRM-... P 758050			50																																																																																																																																																																																			
BRM-... P 758060			60																																																																																																																																																																																			
BRM-... P 758070			70																																																																																																																																																																																			
BRM-... P 758080			80																																																																																																																																																																																			
BRM-... P 808530	80	85	30	80.00 ÷ 80.074	85.000 ÷ 85.035	79.929 ÷ 79.964																																																																																																																																																																																
BRM-... P 808540			40																																																																																																																																																																																			
BRM-... P 808560			60																																																																																																																																																																																			
BRM-... P 808580			80																																																																																																																																																																																			
BRM-... P 8085100			100																																																																																																																																																																																			
BRM-... P 859030	85	90	30	85.000 ÷ 85.087	90.000 ÷ 90.035	84.929 ÷ 84.964																																																																																																																																																																																
BRM-... P 859040			40																																																																																																																																																																																			
BRM-... P 859060			60																																																																																																																																																																																			
BRM-... P 859080			80																																																																																																																																																																																			
BRM-... P 8590100			100																																																																																																																																																																																			
BRM-... P 909540	90	95	40	90.000 ÷ 90.087	95.000 ÷ 95.035	89.929 ÷ 89.964																																																																																																																																																																																
BRM-... P 909560			60																																																																																																																																																																																			
BRM-... P 909590			90																																																																																																																																																																																			
BRM-... P 9095100			100																																																																																																																																																																																			
BRM-... P 9510060	95	100	60	95.000 ÷ 95.087	100.000 ÷ 100.035	94.929 ÷ 94.964																																																																																																																																																																																
BRM-... P 95100100			100																																																																																																																																																																																			
BRM-... P 10010540	100	105	40	100.000 ÷ 100.087	105.000 ÷ 105.035	99.929 ÷ 99.964																																																																																																																																																																																
BRM-... P 10010550			50																																																																																																																																																																																			
BRM-... P 10010560			60																																																																																																																																																																																			
BRM-... P 10010595			95																																																																																																																																																																																			
BRM-... P 100105100			100																																																																																																																																																																																			
BRM-... P 10511060	105	110	60	105.000 ÷ 105.087	110.000 ÷ 110.035	104.929 ÷ 104.964																																																																																																																																																																																
BRM-... P 105110100			100																																																																																																																																																																																			
BRM-... P 11011560	110	115	60	110.000 ÷ 110.087	115.000 ÷ 115.035	109.929 ÷ 109.964																																																																																																																																																																																
BRM-... P 110115100			100																																																																																																																																																																																			
BRM-... P 11512060	115	120	60	115.000 ÷ 115.087	120.000 ÷ 120.035	114.929 ÷ 114.964																																																																																																																																																																																
BRM-... P 115120100			100																																																																																																																																																																																			
BRM-... P 12012560	120	125	60	120.000 ÷ 120.087	125.000 ÷ 125.040	119.929 ÷ 119.964																																																																																																																																																																																
BRM-... P 120125100			100																																																																																																																																																																																			
BRM-... P 12513060	125	130	60	125.000 ÷ 125.100	130.000 ÷ 130.040	124.917 ÷ 124.957																																																																																																																																																																																
BRM-... P 125130100			100																																																																																																																																																																																			
BRM-... P 13013560	130	135	60	130.000 ÷ 130.100	135.000 ÷ 135.040	129.917 ÷ 129.957																																																																																																																																																																																
BRM-... P 130135100			100																																																																																																																																																																																			
BRM-... P 13514060	135	140	60	135.000 ÷ 135.100	140.000 ÷ 140.040	134.917 ÷ 134.957																																																																																																																																																																																
BRM-... P 135140100			100																																																																																																																																																																																			

# BRM-10&80 PRE-LUBRICATED BEARINGS

METRIC SIZES

Part Number	D1	D2	H	D1 (After As.bly)	Dg (Housing Recom.)	d (Shaft Recomend)																																																																																																																																																																																																																																					
BRM-... P 14014560	140	145	60	140.000 ÷ 140.100	145.000 ÷ 145.040	139.917 ÷ 139.957																																																																																																																																																																																																																																					
BRM-... P 140145100			100				BRM-... P 14515060	145	150	60	145.000 ÷ 145.100	150.000 ÷ 150.040	144.917 ÷ 144.957	BRM-... P 145150100	100	BRM-... P 15015560	150	155	60	150.000 ÷ 150.100	155.000 ÷ 155.040	149.917 ÷ 149.957	BRM-... P 150155100	100	BRM-... P 15516060	155	160	60	155.000 ÷ 155.100	160.000 ÷ 160.040	154.917 ÷ 154.957	BRM-... P 155160100	100	BRM-... P 16016560	160	165	60	160.000 ÷ 160.100	165.000 ÷ 165.040	159.917 ÷ 159.957	BRM-... P 160165100	100	BRM-... P 16517060	165	170	60	165.000 ÷ 165.100	170.000 ÷ 170.040	164.917 ÷ 164.957	BRM-... P 165170100	100	BRM-... P 17017560	170	175	60	170.000 ÷ 170.100	175.000 ÷ 175.040	169.917 ÷ 169.957	BRM-... P 170175100	100	BRM-... P 17518060	175	180	60	175.000 ÷ 175.100	180.000 ÷ 180.040	174.917 ÷ 174.957	BRM-... P 175180100	100	BRM-... P 18018560	180	185	60	180.000 ÷ 180.115	185.000 ÷ 185.046	179.917 ÷ 179.957	BRM-... P 180185100	100	BRM-... P 18519060	185	190	60	185.000 ÷ 185.115	190.000 ÷ 190.046	184.904 ÷ 184.950	BRM-... P 185190100	100	BRM-... P 19019560	190	195	60	190.000 ÷ 190.115	195.000 ÷ 195.046	189.904 ÷ 189.950	BRM-... P 190195100	100	BRM-... P 19520060	195	200	60	195.000 ÷ 195.115	200.000 ÷ 200.046	194.904 ÷ 194.950	BRM-... P 195200100	100	BRM-... P 20020560	200	205	60	200.000 ÷ 200.115	205.000 ÷ 205.046	199.904 ÷ 199.950	BRM-... P 200205100	100	BRM-... P 20521060	205	210	60	205.000 ÷ 205.115	210.000 ÷ 210.046	204.904 ÷ 204.950	BRM-... P 205210100	100	BRM-... P 21021560	210	215	60	210.000 ÷ 210.115	215.000 ÷ 215.046	209.904 ÷ 209.950	BRM-... P 210215100	100	BRM-... P 21522060	215	220	60	215.000 ÷ 215.115	220.000 ÷ 220.046	214.904 ÷ 214.950	BRM-... P 215220100	100	BRM-... P 22022560	220	225	60	220.000 ÷ 220.115	225.000 ÷ 225.046	219.904 ÷ 219.950	BRM-... P 220225100	100	BRM-... P 22523060	225	230	60	225.000 ÷ 225.115	230.000 ÷ 230.046	224.904 ÷ 224.950	BRM-... P 225230100	100	BRM-... P 23023560	230	235	60	230.000 ÷ 230.115	235.000 ÷ 235.046	229.904 ÷ 229.950	BRM-... P 230235100	100	BRM-... P 23524060	235	240	60	235.000 ÷ 235.115	240.000 ÷ 240.046	234.904 ÷ 234.950	BRM-... P 235240100	100	BRM-... P 24024560	240	245	60	240.000 ÷ 240.115	245.000 ÷ 245.046	239.904 ÷ 239.950	BRM-... P 240245100	100	BRM-... P 24525060	245	250	60	245.000 ÷ 245.115	250.000 ÷ 250.046	244.904 ÷ 244.950	BRM-... P 245250100	100	BRM-... P 25025560	250	255	60	250.000 ÷ 250.115	255.000 ÷ 255.052	249.904 ÷ 249.950	BRM-... P 250255100	100	BRM-... P 26026560	260	265	60	260.000 ÷ 260.130	265.000 ÷ 265.052	259.892 ÷ 259.944	BRM-... P 260265100	100	BRM-... P 26527060	265	270	60	265.000 ÷ 265.130	270.000 ÷ 270.052	264.892 ÷ 264.944	BRM-... P 265270100	100	BRM-... P 27027560	270	275	60	270.000 ÷ 270.130	275.000 ÷ 275.052	269.892 ÷ 269.944	BRM-... P 270275100	100	BRM-... P 27528060	275	280	60
BRM-... P 14515060	145	150	60	145.000 ÷ 145.100	150.000 ÷ 150.040	144.917 ÷ 144.957																																																																																																																																																																																																																																					
BRM-... P 145150100			100				BRM-... P 15015560	150	155	60	150.000 ÷ 150.100	155.000 ÷ 155.040	149.917 ÷ 149.957	BRM-... P 150155100	100	BRM-... P 15516060	155	160	60	155.000 ÷ 155.100	160.000 ÷ 160.040	154.917 ÷ 154.957	BRM-... P 155160100	100	BRM-... P 16016560	160	165	60	160.000 ÷ 160.100	165.000 ÷ 165.040	159.917 ÷ 159.957	BRM-... P 160165100	100	BRM-... P 16517060	165	170	60	165.000 ÷ 165.100	170.000 ÷ 170.040	164.917 ÷ 164.957	BRM-... P 165170100	100	BRM-... P 17017560	170	175	60	170.000 ÷ 170.100	175.000 ÷ 175.040	169.917 ÷ 169.957	BRM-... P 170175100	100	BRM-... P 17518060	175	180	60	175.000 ÷ 175.100	180.000 ÷ 180.040	174.917 ÷ 174.957	BRM-... P 175180100	100	BRM-... P 18018560	180	185	60	180.000 ÷ 180.115	185.000 ÷ 185.046	179.917 ÷ 179.957	BRM-... P 180185100	100	BRM-... P 18519060	185	190	60	185.000 ÷ 185.115	190.000 ÷ 190.046	184.904 ÷ 184.950	BRM-... P 185190100	100	BRM-... P 19019560	190	195	60	190.000 ÷ 190.115	195.000 ÷ 195.046	189.904 ÷ 189.950	BRM-... P 190195100	100	BRM-... P 19520060	195	200	60	195.000 ÷ 195.115	200.000 ÷ 200.046	194.904 ÷ 194.950	BRM-... P 195200100	100	BRM-... P 20020560	200	205	60	200.000 ÷ 200.115	205.000 ÷ 205.046	199.904 ÷ 199.950	BRM-... P 200205100	100	BRM-... P 20521060	205	210	60	205.000 ÷ 205.115	210.000 ÷ 210.046	204.904 ÷ 204.950	BRM-... P 205210100	100	BRM-... P 21021560	210	215	60	210.000 ÷ 210.115	215.000 ÷ 215.046	209.904 ÷ 209.950	BRM-... P 210215100	100	BRM-... P 21522060	215	220	60	215.000 ÷ 215.115	220.000 ÷ 220.046	214.904 ÷ 214.950	BRM-... P 215220100	100	BRM-... P 22022560	220	225	60	220.000 ÷ 220.115	225.000 ÷ 225.046	219.904 ÷ 219.950	BRM-... P 220225100	100	BRM-... P 22523060	225	230	60	225.000 ÷ 225.115	230.000 ÷ 230.046	224.904 ÷ 224.950	BRM-... P 225230100	100	BRM-... P 23023560	230	235	60	230.000 ÷ 230.115	235.000 ÷ 235.046	229.904 ÷ 229.950	BRM-... P 230235100	100	BRM-... P 23524060	235	240	60	235.000 ÷ 235.115	240.000 ÷ 240.046	234.904 ÷ 234.950	BRM-... P 235240100	100	BRM-... P 24024560	240	245	60	240.000 ÷ 240.115	245.000 ÷ 245.046	239.904 ÷ 239.950	BRM-... P 240245100	100	BRM-... P 24525060	245	250	60	245.000 ÷ 245.115	250.000 ÷ 250.046	244.904 ÷ 244.950	BRM-... P 245250100	100	BRM-... P 25025560	250	255	60	250.000 ÷ 250.115	255.000 ÷ 255.052	249.904 ÷ 249.950	BRM-... P 250255100	100	BRM-... P 26026560	260	265	60	260.000 ÷ 260.130	265.000 ÷ 265.052	259.892 ÷ 259.944	BRM-... P 260265100	100	BRM-... P 26527060	265	270	60	265.000 ÷ 265.130	270.000 ÷ 270.052	264.892 ÷ 264.944	BRM-... P 265270100	100	BRM-... P 27027560	270	275	60	270.000 ÷ 270.130	275.000 ÷ 275.052	269.892 ÷ 269.944	BRM-... P 270275100	100	BRM-... P 27528060	275	280	60	275.000 ÷ 275.130	280.000 ÷ 280.052	274.892 ÷ 274.944	BRM-... P 275280100	100				
BRM-... P 15015560	150	155	60	150.000 ÷ 150.100	155.000 ÷ 155.040	149.917 ÷ 149.957																																																																																																																																																																																																																																					
BRM-... P 150155100			100				BRM-... P 15516060	155	160	60	155.000 ÷ 155.100	160.000 ÷ 160.040	154.917 ÷ 154.957	BRM-... P 155160100	100	BRM-... P 16016560	160	165	60	160.000 ÷ 160.100	165.000 ÷ 165.040	159.917 ÷ 159.957	BRM-... P 160165100	100	BRM-... P 16517060	165	170	60	165.000 ÷ 165.100	170.000 ÷ 170.040	164.917 ÷ 164.957	BRM-... P 165170100	100	BRM-... P 17017560	170	175	60	170.000 ÷ 170.100	175.000 ÷ 175.040	169.917 ÷ 169.957	BRM-... P 170175100	100	BRM-... P 17518060	175	180	60	175.000 ÷ 175.100	180.000 ÷ 180.040	174.917 ÷ 174.957	BRM-... P 175180100	100	BRM-... P 18018560	180	185	60	180.000 ÷ 180.115	185.000 ÷ 185.046	179.917 ÷ 179.957	BRM-... P 180185100	100	BRM-... P 18519060	185	190	60	185.000 ÷ 185.115	190.000 ÷ 190.046	184.904 ÷ 184.950	BRM-... P 185190100	100	BRM-... P 19019560	190	195	60	190.000 ÷ 190.115	195.000 ÷ 195.046	189.904 ÷ 189.950	BRM-... P 190195100	100	BRM-... P 19520060	195	200	60	195.000 ÷ 195.115	200.000 ÷ 200.046	194.904 ÷ 194.950	BRM-... P 195200100	100	BRM-... P 20020560	200	205	60	200.000 ÷ 200.115	205.000 ÷ 205.046	199.904 ÷ 199.950	BRM-... P 200205100	100	BRM-... P 20521060	205	210	60	205.000 ÷ 205.115	210.000 ÷ 210.046	204.904 ÷ 204.950	BRM-... P 205210100	100	BRM-... P 21021560	210	215	60	210.000 ÷ 210.115	215.000 ÷ 215.046	209.904 ÷ 209.950	BRM-... P 210215100	100	BRM-... P 21522060	215	220	60	215.000 ÷ 215.115	220.000 ÷ 220.046	214.904 ÷ 214.950	BRM-... P 215220100	100	BRM-... P 22022560	220	225	60	220.000 ÷ 220.115	225.000 ÷ 225.046	219.904 ÷ 219.950	BRM-... P 220225100	100	BRM-... P 22523060	225	230	60	225.000 ÷ 225.115	230.000 ÷ 230.046	224.904 ÷ 224.950	BRM-... P 225230100	100	BRM-... P 23023560	230	235	60	230.000 ÷ 230.115	235.000 ÷ 235.046	229.904 ÷ 229.950	BRM-... P 230235100	100	BRM-... P 23524060	235	240	60	235.000 ÷ 235.115	240.000 ÷ 240.046	234.904 ÷ 234.950	BRM-... P 235240100	100	BRM-... P 24024560	240	245	60	240.000 ÷ 240.115	245.000 ÷ 245.046	239.904 ÷ 239.950	BRM-... P 240245100	100	BRM-... P 24525060	245	250	60	245.000 ÷ 245.115	250.000 ÷ 250.046	244.904 ÷ 244.950	BRM-... P 245250100	100	BRM-... P 25025560	250	255	60	250.000 ÷ 250.115	255.000 ÷ 255.052	249.904 ÷ 249.950	BRM-... P 250255100	100	BRM-... P 26026560	260	265	60	260.000 ÷ 260.130	265.000 ÷ 265.052	259.892 ÷ 259.944	BRM-... P 260265100	100	BRM-... P 26527060	265	270	60	265.000 ÷ 265.130	270.000 ÷ 270.052	264.892 ÷ 264.944	BRM-... P 265270100	100	BRM-... P 27027560	270	275	60	270.000 ÷ 270.130	275.000 ÷ 275.052	269.892 ÷ 269.944	BRM-... P 270275100	100	BRM-... P 27528060	275	280	60	275.000 ÷ 275.130	280.000 ÷ 280.052	274.892 ÷ 274.944	BRM-... P 275280100	100													
BRM-... P 15516060	155	160	60	155.000 ÷ 155.100	160.000 ÷ 160.040	154.917 ÷ 154.957																																																																																																																																																																																																																																					
BRM-... P 155160100			100				BRM-... P 16016560	160	165	60	160.000 ÷ 160.100	165.000 ÷ 165.040	159.917 ÷ 159.957	BRM-... P 160165100	100	BRM-... P 16517060	165	170	60	165.000 ÷ 165.100	170.000 ÷ 170.040	164.917 ÷ 164.957	BRM-... P 165170100	100	BRM-... P 17017560	170	175	60	170.000 ÷ 170.100	175.000 ÷ 175.040	169.917 ÷ 169.957	BRM-... P 170175100	100	BRM-... P 17518060	175	180	60	175.000 ÷ 175.100	180.000 ÷ 180.040	174.917 ÷ 174.957	BRM-... P 175180100	100	BRM-... P 18018560	180	185	60	180.000 ÷ 180.115	185.000 ÷ 185.046	179.917 ÷ 179.957	BRM-... P 180185100	100	BRM-... P 18519060	185	190	60	185.000 ÷ 185.115	190.000 ÷ 190.046	184.904 ÷ 184.950	BRM-... P 185190100	100	BRM-... P 19019560	190	195	60	190.000 ÷ 190.115	195.000 ÷ 195.046	189.904 ÷ 189.950	BRM-... P 190195100	100	BRM-... P 19520060	195	200	60	195.000 ÷ 195.115	200.000 ÷ 200.046	194.904 ÷ 194.950	BRM-... P 195200100	100	BRM-... P 20020560	200	205	60	200.000 ÷ 200.115	205.000 ÷ 205.046	199.904 ÷ 199.950	BRM-... P 200205100	100	BRM-... P 20521060	205	210	60	205.000 ÷ 205.115	210.000 ÷ 210.046	204.904 ÷ 204.950	BRM-... P 205210100	100	BRM-... P 21021560	210	215	60	210.000 ÷ 210.115	215.000 ÷ 215.046	209.904 ÷ 209.950	BRM-... P 210215100	100	BRM-... P 21522060	215	220	60	215.000 ÷ 215.115	220.000 ÷ 220.046	214.904 ÷ 214.950	BRM-... P 215220100	100	BRM-... P 22022560	220	225	60	220.000 ÷ 220.115	225.000 ÷ 225.046	219.904 ÷ 219.950	BRM-... P 220225100	100	BRM-... P 22523060	225	230	60	225.000 ÷ 225.115	230.000 ÷ 230.046	224.904 ÷ 224.950	BRM-... P 225230100	100	BRM-... P 23023560	230	235	60	230.000 ÷ 230.115	235.000 ÷ 235.046	229.904 ÷ 229.950	BRM-... P 230235100	100	BRM-... P 23524060	235	240	60	235.000 ÷ 235.115	240.000 ÷ 240.046	234.904 ÷ 234.950	BRM-... P 235240100	100	BRM-... P 24024560	240	245	60	240.000 ÷ 240.115	245.000 ÷ 245.046	239.904 ÷ 239.950	BRM-... P 240245100	100	BRM-... P 24525060	245	250	60	245.000 ÷ 245.115	250.000 ÷ 250.046	244.904 ÷ 244.950	BRM-... P 245250100	100	BRM-... P 25025560	250	255	60	250.000 ÷ 250.115	255.000 ÷ 255.052	249.904 ÷ 249.950	BRM-... P 250255100	100	BRM-... P 26026560	260	265	60	260.000 ÷ 260.130	265.000 ÷ 265.052	259.892 ÷ 259.944	BRM-... P 260265100	100	BRM-... P 26527060	265	270	60	265.000 ÷ 265.130	270.000 ÷ 270.052	264.892 ÷ 264.944	BRM-... P 265270100	100	BRM-... P 27027560	270	275	60	270.000 ÷ 270.130	275.000 ÷ 275.052	269.892 ÷ 269.944	BRM-... P 270275100	100	BRM-... P 27528060	275	280	60	275.000 ÷ 275.130	280.000 ÷ 280.052	274.892 ÷ 274.944	BRM-... P 275280100	100																						
BRM-... P 16016560	160	165	60	160.000 ÷ 160.100	165.000 ÷ 165.040	159.917 ÷ 159.957																																																																																																																																																																																																																																					
BRM-... P 160165100			100				BRM-... P 16517060	165	170	60	165.000 ÷ 165.100	170.000 ÷ 170.040	164.917 ÷ 164.957	BRM-... P 165170100	100	BRM-... P 17017560	170	175	60	170.000 ÷ 170.100	175.000 ÷ 175.040	169.917 ÷ 169.957	BRM-... P 170175100	100	BRM-... P 17518060	175	180	60	175.000 ÷ 175.100	180.000 ÷ 180.040	174.917 ÷ 174.957	BRM-... P 175180100	100	BRM-... P 18018560	180	185	60	180.000 ÷ 180.115	185.000 ÷ 185.046	179.917 ÷ 179.957	BRM-... P 180185100	100	BRM-... P 18519060	185	190	60	185.000 ÷ 185.115	190.000 ÷ 190.046	184.904 ÷ 184.950	BRM-... P 185190100	100	BRM-... P 19019560	190	195	60	190.000 ÷ 190.115	195.000 ÷ 195.046	189.904 ÷ 189.950	BRM-... P 190195100	100	BRM-... P 19520060	195	200	60	195.000 ÷ 195.115	200.000 ÷ 200.046	194.904 ÷ 194.950	BRM-... P 195200100	100	BRM-... P 20020560	200	205	60	200.000 ÷ 200.115	205.000 ÷ 205.046	199.904 ÷ 199.950	BRM-... P 200205100	100	BRM-... P 20521060	205	210	60	205.000 ÷ 205.115	210.000 ÷ 210.046	204.904 ÷ 204.950	BRM-... P 205210100	100	BRM-... P 21021560	210	215	60	210.000 ÷ 210.115	215.000 ÷ 215.046	209.904 ÷ 209.950	BRM-... P 210215100	100	BRM-... P 21522060	215	220	60	215.000 ÷ 215.115	220.000 ÷ 220.046	214.904 ÷ 214.950	BRM-... P 215220100	100	BRM-... P 22022560	220	225	60	220.000 ÷ 220.115	225.000 ÷ 225.046	219.904 ÷ 219.950	BRM-... P 220225100	100	BRM-... P 22523060	225	230	60	225.000 ÷ 225.115	230.000 ÷ 230.046	224.904 ÷ 224.950	BRM-... P 225230100	100	BRM-... P 23023560	230	235	60	230.000 ÷ 230.115	235.000 ÷ 235.046	229.904 ÷ 229.950	BRM-... P 230235100	100	BRM-... P 23524060	235	240	60	235.000 ÷ 235.115	240.000 ÷ 240.046	234.904 ÷ 234.950	BRM-... P 235240100	100	BRM-... P 24024560	240	245	60	240.000 ÷ 240.115	245.000 ÷ 245.046	239.904 ÷ 239.950	BRM-... P 240245100	100	BRM-... P 24525060	245	250	60	245.000 ÷ 245.115	250.000 ÷ 250.046	244.904 ÷ 244.950	BRM-... P 245250100	100	BRM-... P 25025560	250	255	60	250.000 ÷ 250.115	255.000 ÷ 255.052	249.904 ÷ 249.950	BRM-... P 250255100	100	BRM-... P 26026560	260	265	60	260.000 ÷ 260.130	265.000 ÷ 265.052	259.892 ÷ 259.944	BRM-... P 260265100	100	BRM-... P 26527060	265	270	60	265.000 ÷ 265.130	270.000 ÷ 270.052	264.892 ÷ 264.944	BRM-... P 265270100	100	BRM-... P 27027560	270	275	60	270.000 ÷ 270.130	275.000 ÷ 275.052	269.892 ÷ 269.944	BRM-... P 270275100	100	BRM-... P 27528060	275	280	60	275.000 ÷ 275.130	280.000 ÷ 280.052	274.892 ÷ 274.944	BRM-... P 275280100	100																															
BRM-... P 16517060	165	170	60	165.000 ÷ 165.100	170.000 ÷ 170.040	164.917 ÷ 164.957																																																																																																																																																																																																																																					
BRM-... P 165170100			100				BRM-... P 17017560	170	175	60	170.000 ÷ 170.100	175.000 ÷ 175.040	169.917 ÷ 169.957	BRM-... P 170175100	100	BRM-... P 17518060	175	180	60	175.000 ÷ 175.100	180.000 ÷ 180.040	174.917 ÷ 174.957	BRM-... P 175180100	100	BRM-... P 18018560	180	185	60	180.000 ÷ 180.115	185.000 ÷ 185.046	179.917 ÷ 179.957	BRM-... P 180185100	100	BRM-... P 18519060	185	190	60	185.000 ÷ 185.115	190.000 ÷ 190.046	184.904 ÷ 184.950	BRM-... P 185190100	100	BRM-... P 19019560	190	195	60	190.000 ÷ 190.115	195.000 ÷ 195.046	189.904 ÷ 189.950	BRM-... P 190195100	100	BRM-... P 19520060	195	200	60	195.000 ÷ 195.115	200.000 ÷ 200.046	194.904 ÷ 194.950	BRM-... P 195200100	100	BRM-... P 20020560	200	205	60	200.000 ÷ 200.115	205.000 ÷ 205.046	199.904 ÷ 199.950	BRM-... P 200205100	100	BRM-... P 20521060	205	210	60	205.000 ÷ 205.115	210.000 ÷ 210.046	204.904 ÷ 204.950	BRM-... P 205210100	100	BRM-... P 21021560	210	215	60	210.000 ÷ 210.115	215.000 ÷ 215.046	209.904 ÷ 209.950	BRM-... P 210215100	100	BRM-... P 21522060	215	220	60	215.000 ÷ 215.115	220.000 ÷ 220.046	214.904 ÷ 214.950	BRM-... P 215220100	100	BRM-... P 22022560	220	225	60	220.000 ÷ 220.115	225.000 ÷ 225.046	219.904 ÷ 219.950	BRM-... P 220225100	100	BRM-... P 22523060	225	230	60	225.000 ÷ 225.115	230.000 ÷ 230.046	224.904 ÷ 224.950	BRM-... P 225230100	100	BRM-... P 23023560	230	235	60	230.000 ÷ 230.115	235.000 ÷ 235.046	229.904 ÷ 229.950	BRM-... P 230235100	100	BRM-... P 23524060	235	240	60	235.000 ÷ 235.115	240.000 ÷ 240.046	234.904 ÷ 234.950	BRM-... P 235240100	100	BRM-... P 24024560	240	245	60	240.000 ÷ 240.115	245.000 ÷ 245.046	239.904 ÷ 239.950	BRM-... P 240245100	100	BRM-... P 24525060	245	250	60	245.000 ÷ 245.115	250.000 ÷ 250.046	244.904 ÷ 244.950	BRM-... P 245250100	100	BRM-... P 25025560	250	255	60	250.000 ÷ 250.115	255.000 ÷ 255.052	249.904 ÷ 249.950	BRM-... P 250255100	100	BRM-... P 26026560	260	265	60	260.000 ÷ 260.130	265.000 ÷ 265.052	259.892 ÷ 259.944	BRM-... P 260265100	100	BRM-... P 26527060	265	270	60	265.000 ÷ 265.130	270.000 ÷ 270.052	264.892 ÷ 264.944	BRM-... P 265270100	100	BRM-... P 27027560	270	275	60	270.000 ÷ 270.130	275.000 ÷ 275.052	269.892 ÷ 269.944	BRM-... P 270275100	100	BRM-... P 27528060	275	280	60	275.000 ÷ 275.130	280.000 ÷ 280.052	274.892 ÷ 274.944	BRM-... P 275280100	100																																								
BRM-... P 17017560	170	175	60	170.000 ÷ 170.100	175.000 ÷ 175.040	169.917 ÷ 169.957																																																																																																																																																																																																																																					
BRM-... P 170175100			100				BRM-... P 17518060	175	180	60	175.000 ÷ 175.100	180.000 ÷ 180.040	174.917 ÷ 174.957	BRM-... P 175180100	100	BRM-... P 18018560	180	185	60	180.000 ÷ 180.115	185.000 ÷ 185.046	179.917 ÷ 179.957	BRM-... P 180185100	100	BRM-... P 18519060	185	190	60	185.000 ÷ 185.115	190.000 ÷ 190.046	184.904 ÷ 184.950	BRM-... P 185190100	100	BRM-... P 19019560	190	195	60	190.000 ÷ 190.115	195.000 ÷ 195.046	189.904 ÷ 189.950	BRM-... P 190195100	100	BRM-... P 19520060	195	200	60	195.000 ÷ 195.115	200.000 ÷ 200.046	194.904 ÷ 194.950	BRM-... P 195200100	100	BRM-... P 20020560	200	205	60	200.000 ÷ 200.115	205.000 ÷ 205.046	199.904 ÷ 199.950	BRM-... P 200205100	100	BRM-... P 20521060	205	210	60	205.000 ÷ 205.115	210.000 ÷ 210.046	204.904 ÷ 204.950	BRM-... P 205210100	100	BRM-... P 21021560	210	215	60	210.000 ÷ 210.115	215.000 ÷ 215.046	209.904 ÷ 209.950	BRM-... P 210215100	100	BRM-... P 21522060	215	220	60	215.000 ÷ 215.115	220.000 ÷ 220.046	214.904 ÷ 214.950	BRM-... P 215220100	100	BRM-... P 22022560	220	225	60	220.000 ÷ 220.115	225.000 ÷ 225.046	219.904 ÷ 219.950	BRM-... P 220225100	100	BRM-... P 22523060	225	230	60	225.000 ÷ 225.115	230.000 ÷ 230.046	224.904 ÷ 224.950	BRM-... P 225230100	100	BRM-... P 23023560	230	235	60	230.000 ÷ 230.115	235.000 ÷ 235.046	229.904 ÷ 229.950	BRM-... P 230235100	100	BRM-... P 23524060	235	240	60	235.000 ÷ 235.115	240.000 ÷ 240.046	234.904 ÷ 234.950	BRM-... P 235240100	100	BRM-... P 24024560	240	245	60	240.000 ÷ 240.115	245.000 ÷ 245.046	239.904 ÷ 239.950	BRM-... P 240245100	100	BRM-... P 24525060	245	250	60	245.000 ÷ 245.115	250.000 ÷ 250.046	244.904 ÷ 244.950	BRM-... P 245250100	100	BRM-... P 25025560	250	255	60	250.000 ÷ 250.115	255.000 ÷ 255.052	249.904 ÷ 249.950	BRM-... P 250255100	100	BRM-... P 26026560	260	265	60	260.000 ÷ 260.130	265.000 ÷ 265.052	259.892 ÷ 259.944	BRM-... P 260265100	100	BRM-... P 26527060	265	270	60	265.000 ÷ 265.130	270.000 ÷ 270.052	264.892 ÷ 264.944	BRM-... P 265270100	100	BRM-... P 27027560	270	275	60	270.000 ÷ 270.130	275.000 ÷ 275.052	269.892 ÷ 269.944	BRM-... P 270275100	100	BRM-... P 27528060	275	280	60	275.000 ÷ 275.130	280.000 ÷ 280.052	274.892 ÷ 274.944	BRM-... P 275280100	100																																																	
BRM-... P 17518060	175	180	60	175.000 ÷ 175.100	180.000 ÷ 180.040	174.917 ÷ 174.957																																																																																																																																																																																																																																					
BRM-... P 175180100			100				BRM-... P 18018560	180	185	60	180.000 ÷ 180.115	185.000 ÷ 185.046	179.917 ÷ 179.957	BRM-... P 180185100	100	BRM-... P 18519060	185	190	60	185.000 ÷ 185.115	190.000 ÷ 190.046	184.904 ÷ 184.950	BRM-... P 185190100	100	BRM-... P 19019560	190	195	60	190.000 ÷ 190.115	195.000 ÷ 195.046	189.904 ÷ 189.950	BRM-... P 190195100	100	BRM-... P 19520060	195	200	60	195.000 ÷ 195.115	200.000 ÷ 200.046	194.904 ÷ 194.950	BRM-... P 195200100	100	BRM-... P 20020560	200	205	60	200.000 ÷ 200.115	205.000 ÷ 205.046	199.904 ÷ 199.950	BRM-... P 200205100	100	BRM-... P 20521060	205	210	60	205.000 ÷ 205.115	210.000 ÷ 210.046	204.904 ÷ 204.950	BRM-... P 205210100	100	BRM-... P 21021560	210	215	60	210.000 ÷ 210.115	215.000 ÷ 215.046	209.904 ÷ 209.950	BRM-... P 210215100	100	BRM-... P 21522060	215	220	60	215.000 ÷ 215.115	220.000 ÷ 220.046	214.904 ÷ 214.950	BRM-... P 215220100	100	BRM-... P 22022560	220	225	60	220.000 ÷ 220.115	225.000 ÷ 225.046	219.904 ÷ 219.950	BRM-... P 220225100	100	BRM-... P 22523060	225	230	60	225.000 ÷ 225.115	230.000 ÷ 230.046	224.904 ÷ 224.950	BRM-... P 225230100	100	BRM-... P 23023560	230	235	60	230.000 ÷ 230.115	235.000 ÷ 235.046	229.904 ÷ 229.950	BRM-... P 230235100	100	BRM-... P 23524060	235	240	60	235.000 ÷ 235.115	240.000 ÷ 240.046	234.904 ÷ 234.950	BRM-... P 235240100	100	BRM-... P 24024560	240	245	60	240.000 ÷ 240.115	245.000 ÷ 245.046	239.904 ÷ 239.950	BRM-... P 240245100	100	BRM-... P 24525060	245	250	60	245.000 ÷ 245.115	250.000 ÷ 250.046	244.904 ÷ 244.950	BRM-... P 245250100	100	BRM-... P 25025560	250	255	60	250.000 ÷ 250.115	255.000 ÷ 255.052	249.904 ÷ 249.950	BRM-... P 250255100	100	BRM-... P 26026560	260	265	60	260.000 ÷ 260.130	265.000 ÷ 265.052	259.892 ÷ 259.944	BRM-... P 260265100	100	BRM-... P 26527060	265	270	60	265.000 ÷ 265.130	270.000 ÷ 270.052	264.892 ÷ 264.944	BRM-... P 265270100	100	BRM-... P 27027560	270	275	60	270.000 ÷ 270.130	275.000 ÷ 275.052	269.892 ÷ 269.944	BRM-... P 270275100	100	BRM-... P 27528060	275	280	60	275.000 ÷ 275.130	280.000 ÷ 280.052	274.892 ÷ 274.944	BRM-... P 275280100	100																																																										
BRM-... P 18018560	180	185	60	180.000 ÷ 180.115	185.000 ÷ 185.046	179.917 ÷ 179.957																																																																																																																																																																																																																																					
BRM-... P 180185100			100				BRM-... P 18519060	185	190	60	185.000 ÷ 185.115	190.000 ÷ 190.046	184.904 ÷ 184.950	BRM-... P 185190100	100	BRM-... P 19019560	190	195	60	190.000 ÷ 190.115	195.000 ÷ 195.046	189.904 ÷ 189.950	BRM-... P 190195100	100	BRM-... P 19520060	195	200	60	195.000 ÷ 195.115	200.000 ÷ 200.046	194.904 ÷ 194.950	BRM-... P 195200100	100	BRM-... P 20020560	200	205	60	200.000 ÷ 200.115	205.000 ÷ 205.046	199.904 ÷ 199.950	BRM-... P 200205100	100	BRM-... P 20521060	205	210	60	205.000 ÷ 205.115	210.000 ÷ 210.046	204.904 ÷ 204.950	BRM-... P 205210100	100	BRM-... P 21021560	210	215	60	210.000 ÷ 210.115	215.000 ÷ 215.046	209.904 ÷ 209.950	BRM-... P 210215100	100	BRM-... P 21522060	215	220	60	215.000 ÷ 215.115	220.000 ÷ 220.046	214.904 ÷ 214.950	BRM-... P 215220100	100	BRM-... P 22022560	220	225	60	220.000 ÷ 220.115	225.000 ÷ 225.046	219.904 ÷ 219.950	BRM-... P 220225100	100	BRM-... P 22523060	225	230	60	225.000 ÷ 225.115	230.000 ÷ 230.046	224.904 ÷ 224.950	BRM-... P 225230100	100	BRM-... P 23023560	230	235	60	230.000 ÷ 230.115	235.000 ÷ 235.046	229.904 ÷ 229.950	BRM-... P 230235100	100	BRM-... P 23524060	235	240	60	235.000 ÷ 235.115	240.000 ÷ 240.046	234.904 ÷ 234.950	BRM-... P 235240100	100	BRM-... P 24024560	240	245	60	240.000 ÷ 240.115	245.000 ÷ 245.046	239.904 ÷ 239.950	BRM-... P 240245100	100	BRM-... P 24525060	245	250	60	245.000 ÷ 245.115	250.000 ÷ 250.046	244.904 ÷ 244.950	BRM-... P 245250100	100	BRM-... P 25025560	250	255	60	250.000 ÷ 250.115	255.000 ÷ 255.052	249.904 ÷ 249.950	BRM-... P 250255100	100	BRM-... P 26026560	260	265	60	260.000 ÷ 260.130	265.000 ÷ 265.052	259.892 ÷ 259.944	BRM-... P 260265100	100	BRM-... P 26527060	265	270	60	265.000 ÷ 265.130	270.000 ÷ 270.052	264.892 ÷ 264.944	BRM-... P 265270100	100	BRM-... P 27027560	270	275	60	270.000 ÷ 270.130	275.000 ÷ 275.052	269.892 ÷ 269.944	BRM-... P 270275100	100	BRM-... P 27528060	275	280	60	275.000 ÷ 275.130	280.000 ÷ 280.052	274.892 ÷ 274.944	BRM-... P 275280100	100																																																																			
BRM-... P 18519060	185	190	60	185.000 ÷ 185.115	190.000 ÷ 190.046	184.904 ÷ 184.950																																																																																																																																																																																																																																					
BRM-... P 185190100			100				BRM-... P 19019560	190	195	60	190.000 ÷ 190.115	195.000 ÷ 195.046	189.904 ÷ 189.950	BRM-... P 190195100	100	BRM-... P 19520060	195	200	60	195.000 ÷ 195.115	200.000 ÷ 200.046	194.904 ÷ 194.950	BRM-... P 195200100	100	BRM-... P 20020560	200	205	60	200.000 ÷ 200.115	205.000 ÷ 205.046	199.904 ÷ 199.950	BRM-... P 200205100	100	BRM-... P 20521060	205	210	60	205.000 ÷ 205.115	210.000 ÷ 210.046	204.904 ÷ 204.950	BRM-... P 205210100	100	BRM-... P 21021560	210	215	60	210.000 ÷ 210.115	215.000 ÷ 215.046	209.904 ÷ 209.950	BRM-... P 210215100	100	BRM-... P 21522060	215	220	60	215.000 ÷ 215.115	220.000 ÷ 220.046	214.904 ÷ 214.950	BRM-... P 215220100	100	BRM-... P 22022560	220	225	60	220.000 ÷ 220.115	225.000 ÷ 225.046	219.904 ÷ 219.950	BRM-... P 220225100	100	BRM-... P 22523060	225	230	60	225.000 ÷ 225.115	230.000 ÷ 230.046	224.904 ÷ 224.950	BRM-... P 225230100	100	BRM-... P 23023560	230	235	60	230.000 ÷ 230.115	235.000 ÷ 235.046	229.904 ÷ 229.950	BRM-... P 230235100	100	BRM-... P 23524060	235	240	60	235.000 ÷ 235.115	240.000 ÷ 240.046	234.904 ÷ 234.950	BRM-... P 235240100	100	BRM-... P 24024560	240	245	60	240.000 ÷ 240.115	245.000 ÷ 245.046	239.904 ÷ 239.950	BRM-... P 240245100	100	BRM-... P 24525060	245	250	60	245.000 ÷ 245.115	250.000 ÷ 250.046	244.904 ÷ 244.950	BRM-... P 245250100	100	BRM-... P 25025560	250	255	60	250.000 ÷ 250.115	255.000 ÷ 255.052	249.904 ÷ 249.950	BRM-... P 250255100	100	BRM-... P 26026560	260	265	60	260.000 ÷ 260.130	265.000 ÷ 265.052	259.892 ÷ 259.944	BRM-... P 260265100	100	BRM-... P 26527060	265	270	60	265.000 ÷ 265.130	270.000 ÷ 270.052	264.892 ÷ 264.944	BRM-... P 265270100	100	BRM-... P 27027560	270	275	60	270.000 ÷ 270.130	275.000 ÷ 275.052	269.892 ÷ 269.944	BRM-... P 270275100	100	BRM-... P 27528060	275	280	60	275.000 ÷ 275.130	280.000 ÷ 280.052	274.892 ÷ 274.944	BRM-... P 275280100	100																																																																												
BRM-... P 19019560	190	195	60	190.000 ÷ 190.115	195.000 ÷ 195.046	189.904 ÷ 189.950																																																																																																																																																																																																																																					
BRM-... P 190195100			100				BRM-... P 19520060	195	200	60	195.000 ÷ 195.115	200.000 ÷ 200.046	194.904 ÷ 194.950	BRM-... P 195200100	100	BRM-... P 20020560	200	205	60	200.000 ÷ 200.115	205.000 ÷ 205.046	199.904 ÷ 199.950	BRM-... P 200205100	100	BRM-... P 20521060	205	210	60	205.000 ÷ 205.115	210.000 ÷ 210.046	204.904 ÷ 204.950	BRM-... P 205210100	100	BRM-... P 21021560	210	215	60	210.000 ÷ 210.115	215.000 ÷ 215.046	209.904 ÷ 209.950	BRM-... P 210215100	100	BRM-... P 21522060	215	220	60	215.000 ÷ 215.115	220.000 ÷ 220.046	214.904 ÷ 214.950	BRM-... P 215220100	100	BRM-... P 22022560	220	225	60	220.000 ÷ 220.115	225.000 ÷ 225.046	219.904 ÷ 219.950	BRM-... P 220225100	100	BRM-... P 22523060	225	230	60	225.000 ÷ 225.115	230.000 ÷ 230.046	224.904 ÷ 224.950	BRM-... P 225230100	100	BRM-... P 23023560	230	235	60	230.000 ÷ 230.115	235.000 ÷ 235.046	229.904 ÷ 229.950	BRM-... P 230235100	100	BRM-... P 23524060	235	240	60	235.000 ÷ 235.115	240.000 ÷ 240.046	234.904 ÷ 234.950	BRM-... P 235240100	100	BRM-... P 24024560	240	245	60	240.000 ÷ 240.115	245.000 ÷ 245.046	239.904 ÷ 239.950	BRM-... P 240245100	100	BRM-... P 24525060	245	250	60	245.000 ÷ 245.115	250.000 ÷ 250.046	244.904 ÷ 244.950	BRM-... P 245250100	100	BRM-... P 25025560	250	255	60	250.000 ÷ 250.115	255.000 ÷ 255.052	249.904 ÷ 249.950	BRM-... P 250255100	100	BRM-... P 26026560	260	265	60	260.000 ÷ 260.130	265.000 ÷ 265.052	259.892 ÷ 259.944	BRM-... P 260265100	100	BRM-... P 26527060	265	270	60	265.000 ÷ 265.130	270.000 ÷ 270.052	264.892 ÷ 264.944	BRM-... P 265270100	100	BRM-... P 27027560	270	275	60	270.000 ÷ 270.130	275.000 ÷ 275.052	269.892 ÷ 269.944	BRM-... P 270275100	100	BRM-... P 27528060	275	280	60	275.000 ÷ 275.130	280.000 ÷ 280.052	274.892 ÷ 274.944	BRM-... P 275280100	100																																																																																					
BRM-... P 19520060	195	200	60	195.000 ÷ 195.115	200.000 ÷ 200.046	194.904 ÷ 194.950																																																																																																																																																																																																																																					
BRM-... P 195200100			100				BRM-... P 20020560	200	205	60	200.000 ÷ 200.115	205.000 ÷ 205.046	199.904 ÷ 199.950	BRM-... P 200205100	100	BRM-... P 20521060	205	210	60	205.000 ÷ 205.115	210.000 ÷ 210.046	204.904 ÷ 204.950	BRM-... P 205210100	100	BRM-... P 21021560	210	215	60	210.000 ÷ 210.115	215.000 ÷ 215.046	209.904 ÷ 209.950	BRM-... P 210215100	100	BRM-... P 21522060	215	220	60	215.000 ÷ 215.115	220.000 ÷ 220.046	214.904 ÷ 214.950	BRM-... P 215220100	100	BRM-... P 22022560	220	225	60	220.000 ÷ 220.115	225.000 ÷ 225.046	219.904 ÷ 219.950	BRM-... P 220225100	100	BRM-... P 22523060	225	230	60	225.000 ÷ 225.115	230.000 ÷ 230.046	224.904 ÷ 224.950	BRM-... P 225230100	100	BRM-... P 23023560	230	235	60	230.000 ÷ 230.115	235.000 ÷ 235.046	229.904 ÷ 229.950	BRM-... P 230235100	100	BRM-... P 23524060	235	240	60	235.000 ÷ 235.115	240.000 ÷ 240.046	234.904 ÷ 234.950	BRM-... P 235240100	100	BRM-... P 24024560	240	245	60	240.000 ÷ 240.115	245.000 ÷ 245.046	239.904 ÷ 239.950	BRM-... P 240245100	100	BRM-... P 24525060	245	250	60	245.000 ÷ 245.115	250.000 ÷ 250.046	244.904 ÷ 244.950	BRM-... P 245250100	100	BRM-... P 25025560	250	255	60	250.000 ÷ 250.115	255.000 ÷ 255.052	249.904 ÷ 249.950	BRM-... P 250255100	100	BRM-... P 26026560	260	265	60	260.000 ÷ 260.130	265.000 ÷ 265.052	259.892 ÷ 259.944	BRM-... P 260265100	100	BRM-... P 26527060	265	270	60	265.000 ÷ 265.130	270.000 ÷ 270.052	264.892 ÷ 264.944	BRM-... P 265270100	100	BRM-... P 27027560	270	275	60	270.000 ÷ 270.130	275.000 ÷ 275.052	269.892 ÷ 269.944	BRM-... P 270275100	100	BRM-... P 27528060	275	280	60	275.000 ÷ 275.130	280.000 ÷ 280.052	274.892 ÷ 274.944	BRM-... P 275280100	100																																																																																														
BRM-... P 20020560	200	205	60	200.000 ÷ 200.115	205.000 ÷ 205.046	199.904 ÷ 199.950																																																																																																																																																																																																																																					
BRM-... P 200205100			100				BRM-... P 20521060	205	210	60	205.000 ÷ 205.115	210.000 ÷ 210.046	204.904 ÷ 204.950	BRM-... P 205210100	100	BRM-... P 21021560	210	215	60	210.000 ÷ 210.115	215.000 ÷ 215.046	209.904 ÷ 209.950	BRM-... P 210215100	100	BRM-... P 21522060	215	220	60	215.000 ÷ 215.115	220.000 ÷ 220.046	214.904 ÷ 214.950	BRM-... P 215220100	100	BRM-... P 22022560	220	225	60	220.000 ÷ 220.115	225.000 ÷ 225.046	219.904 ÷ 219.950	BRM-... P 220225100	100	BRM-... P 22523060	225	230	60	225.000 ÷ 225.115	230.000 ÷ 230.046	224.904 ÷ 224.950	BRM-... P 225230100	100	BRM-... P 23023560	230	235	60	230.000 ÷ 230.115	235.000 ÷ 235.046	229.904 ÷ 229.950	BRM-... P 230235100	100	BRM-... P 23524060	235	240	60	235.000 ÷ 235.115	240.000 ÷ 240.046	234.904 ÷ 234.950	BRM-... P 235240100	100	BRM-... P 24024560	240	245	60	240.000 ÷ 240.115	245.000 ÷ 245.046	239.904 ÷ 239.950	BRM-... P 240245100	100	BRM-... P 24525060	245	250	60	245.000 ÷ 245.115	250.000 ÷ 250.046	244.904 ÷ 244.950	BRM-... P 245250100	100	BRM-... P 25025560	250	255	60	250.000 ÷ 250.115	255.000 ÷ 255.052	249.904 ÷ 249.950	BRM-... P 250255100	100	BRM-... P 26026560	260	265	60	260.000 ÷ 260.130	265.000 ÷ 265.052	259.892 ÷ 259.944	BRM-... P 260265100	100	BRM-... P 26527060	265	270	60	265.000 ÷ 265.130	270.000 ÷ 270.052	264.892 ÷ 264.944	BRM-... P 265270100	100	BRM-... P 27027560	270	275	60	270.000 ÷ 270.130	275.000 ÷ 275.052	269.892 ÷ 269.944	BRM-... P 270275100	100	BRM-... P 27528060	275	280	60	275.000 ÷ 275.130	280.000 ÷ 280.052	274.892 ÷ 274.944	BRM-... P 275280100	100																																																																																																							
BRM-... P 20521060	205	210	60	205.000 ÷ 205.115	210.000 ÷ 210.046	204.904 ÷ 204.950																																																																																																																																																																																																																																					
BRM-... P 205210100			100				BRM-... P 21021560	210	215	60	210.000 ÷ 210.115	215.000 ÷ 215.046	209.904 ÷ 209.950	BRM-... P 210215100	100	BRM-... P 21522060	215	220	60	215.000 ÷ 215.115	220.000 ÷ 220.046	214.904 ÷ 214.950	BRM-... P 215220100	100	BRM-... P 22022560	220	225	60	220.000 ÷ 220.115	225.000 ÷ 225.046	219.904 ÷ 219.950	BRM-... P 220225100	100	BRM-... P 22523060	225	230	60	225.000 ÷ 225.115	230.000 ÷ 230.046	224.904 ÷ 224.950	BRM-... P 225230100	100	BRM-... P 23023560	230	235	60	230.000 ÷ 230.115	235.000 ÷ 235.046	229.904 ÷ 229.950	BRM-... P 230235100	100	BRM-... P 23524060	235	240	60	235.000 ÷ 235.115	240.000 ÷ 240.046	234.904 ÷ 234.950	BRM-... P 235240100	100	BRM-... P 24024560	240	245	60	240.000 ÷ 240.115	245.000 ÷ 245.046	239.904 ÷ 239.950	BRM-... P 240245100	100	BRM-... P 24525060	245	250	60	245.000 ÷ 245.115	250.000 ÷ 250.046	244.904 ÷ 244.950	BRM-... P 245250100	100	BRM-... P 25025560	250	255	60	250.000 ÷ 250.115	255.000 ÷ 255.052	249.904 ÷ 249.950	BRM-... P 250255100	100	BRM-... P 26026560	260	265	60	260.000 ÷ 260.130	265.000 ÷ 265.052	259.892 ÷ 259.944	BRM-... P 260265100	100	BRM-... P 26527060	265	270	60	265.000 ÷ 265.130	270.000 ÷ 270.052	264.892 ÷ 264.944	BRM-... P 265270100	100	BRM-... P 27027560	270	275	60	270.000 ÷ 270.130	275.000 ÷ 275.052	269.892 ÷ 269.944	BRM-... P 270275100	100	BRM-... P 27528060	275	280	60	275.000 ÷ 275.130	280.000 ÷ 280.052	274.892 ÷ 274.944	BRM-... P 275280100	100																																																																																																																
BRM-... P 21021560	210	215	60	210.000 ÷ 210.115	215.000 ÷ 215.046	209.904 ÷ 209.950																																																																																																																																																																																																																																					
BRM-... P 210215100			100				BRM-... P 21522060	215	220	60	215.000 ÷ 215.115	220.000 ÷ 220.046	214.904 ÷ 214.950	BRM-... P 215220100	100	BRM-... P 22022560	220	225	60	220.000 ÷ 220.115	225.000 ÷ 225.046	219.904 ÷ 219.950	BRM-... P 220225100	100	BRM-... P 22523060	225	230	60	225.000 ÷ 225.115	230.000 ÷ 230.046	224.904 ÷ 224.950	BRM-... P 225230100	100	BRM-... P 23023560	230	235	60	230.000 ÷ 230.115	235.000 ÷ 235.046	229.904 ÷ 229.950	BRM-... P 230235100	100	BRM-... P 23524060	235	240	60	235.000 ÷ 235.115	240.000 ÷ 240.046	234.904 ÷ 234.950	BRM-... P 235240100	100	BRM-... P 24024560	240	245	60	240.000 ÷ 240.115	245.000 ÷ 245.046	239.904 ÷ 239.950	BRM-... P 240245100	100	BRM-... P 24525060	245	250	60	245.000 ÷ 245.115	250.000 ÷ 250.046	244.904 ÷ 244.950	BRM-... P 245250100	100	BRM-... P 25025560	250	255	60	250.000 ÷ 250.115	255.000 ÷ 255.052	249.904 ÷ 249.950	BRM-... P 250255100	100	BRM-... P 26026560	260	265	60	260.000 ÷ 260.130	265.000 ÷ 265.052	259.892 ÷ 259.944	BRM-... P 260265100	100	BRM-... P 26527060	265	270	60	265.000 ÷ 265.130	270.000 ÷ 270.052	264.892 ÷ 264.944	BRM-... P 265270100	100	BRM-... P 27027560	270	275	60	270.000 ÷ 270.130	275.000 ÷ 275.052	269.892 ÷ 269.944	BRM-... P 270275100	100	BRM-... P 27528060	275	280	60	275.000 ÷ 275.130	280.000 ÷ 280.052	274.892 ÷ 274.944	BRM-... P 275280100	100																																																																																																																									
BRM-... P 21522060	215	220	60	215.000 ÷ 215.115	220.000 ÷ 220.046	214.904 ÷ 214.950																																																																																																																																																																																																																																					
BRM-... P 215220100			100				BRM-... P 22022560	220	225	60	220.000 ÷ 220.115	225.000 ÷ 225.046	219.904 ÷ 219.950	BRM-... P 220225100	100	BRM-... P 22523060	225	230	60	225.000 ÷ 225.115	230.000 ÷ 230.046	224.904 ÷ 224.950	BRM-... P 225230100	100	BRM-... P 23023560	230	235	60	230.000 ÷ 230.115	235.000 ÷ 235.046	229.904 ÷ 229.950	BRM-... P 230235100	100	BRM-... P 23524060	235	240	60	235.000 ÷ 235.115	240.000 ÷ 240.046	234.904 ÷ 234.950	BRM-... P 235240100	100	BRM-... P 24024560	240	245	60	240.000 ÷ 240.115	245.000 ÷ 245.046	239.904 ÷ 239.950	BRM-... P 240245100	100	BRM-... P 24525060	245	250	60	245.000 ÷ 245.115	250.000 ÷ 250.046	244.904 ÷ 244.950	BRM-... P 245250100	100	BRM-... P 25025560	250	255	60	250.000 ÷ 250.115	255.000 ÷ 255.052	249.904 ÷ 249.950	BRM-... P 250255100	100	BRM-... P 26026560	260	265	60	260.000 ÷ 260.130	265.000 ÷ 265.052	259.892 ÷ 259.944	BRM-... P 260265100	100	BRM-... P 26527060	265	270	60	265.000 ÷ 265.130	270.000 ÷ 270.052	264.892 ÷ 264.944	BRM-... P 265270100	100	BRM-... P 27027560	270	275	60	270.000 ÷ 270.130	275.000 ÷ 275.052	269.892 ÷ 269.944	BRM-... P 270275100	100	BRM-... P 27528060	275	280	60	275.000 ÷ 275.130	280.000 ÷ 280.052	274.892 ÷ 274.944	BRM-... P 275280100	100																																																																																																																																		
BRM-... P 22022560	220	225	60	220.000 ÷ 220.115	225.000 ÷ 225.046	219.904 ÷ 219.950																																																																																																																																																																																																																																					
BRM-... P 220225100			100				BRM-... P 22523060	225	230	60	225.000 ÷ 225.115	230.000 ÷ 230.046	224.904 ÷ 224.950	BRM-... P 225230100	100	BRM-... P 23023560	230	235	60	230.000 ÷ 230.115	235.000 ÷ 235.046	229.904 ÷ 229.950	BRM-... P 230235100	100	BRM-... P 23524060	235	240	60	235.000 ÷ 235.115	240.000 ÷ 240.046	234.904 ÷ 234.950	BRM-... P 235240100	100	BRM-... P 24024560	240	245	60	240.000 ÷ 240.115	245.000 ÷ 245.046	239.904 ÷ 239.950	BRM-... P 240245100	100	BRM-... P 24525060	245	250	60	245.000 ÷ 245.115	250.000 ÷ 250.046	244.904 ÷ 244.950	BRM-... P 245250100	100	BRM-... P 25025560	250	255	60	250.000 ÷ 250.115	255.000 ÷ 255.052	249.904 ÷ 249.950	BRM-... P 250255100	100	BRM-... P 26026560	260	265	60	260.000 ÷ 260.130	265.000 ÷ 265.052	259.892 ÷ 259.944	BRM-... P 260265100	100	BRM-... P 26527060	265	270	60	265.000 ÷ 265.130	270.000 ÷ 270.052	264.892 ÷ 264.944	BRM-... P 265270100	100	BRM-... P 27027560	270	275	60	270.000 ÷ 270.130	275.000 ÷ 275.052	269.892 ÷ 269.944	BRM-... P 270275100	100	BRM-... P 27528060	275	280	60	275.000 ÷ 275.130	280.000 ÷ 280.052	274.892 ÷ 274.944	BRM-... P 275280100	100																																																																																																																																											
BRM-... P 22523060	225	230	60	225.000 ÷ 225.115	230.000 ÷ 230.046	224.904 ÷ 224.950																																																																																																																																																																																																																																					
BRM-... P 225230100			100				BRM-... P 23023560	230	235	60	230.000 ÷ 230.115	235.000 ÷ 235.046	229.904 ÷ 229.950	BRM-... P 230235100	100	BRM-... P 23524060	235	240	60	235.000 ÷ 235.115	240.000 ÷ 240.046	234.904 ÷ 234.950	BRM-... P 235240100	100	BRM-... P 24024560	240	245	60	240.000 ÷ 240.115	245.000 ÷ 245.046	239.904 ÷ 239.950	BRM-... P 240245100	100	BRM-... P 24525060	245	250	60	245.000 ÷ 245.115	250.000 ÷ 250.046	244.904 ÷ 244.950	BRM-... P 245250100	100	BRM-... P 25025560	250	255	60	250.000 ÷ 250.115	255.000 ÷ 255.052	249.904 ÷ 249.950	BRM-... P 250255100	100	BRM-... P 26026560	260	265	60	260.000 ÷ 260.130	265.000 ÷ 265.052	259.892 ÷ 259.944	BRM-... P 260265100	100	BRM-... P 26527060	265	270	60	265.000 ÷ 265.130	270.000 ÷ 270.052	264.892 ÷ 264.944	BRM-... P 265270100	100	BRM-... P 27027560	270	275	60	270.000 ÷ 270.130	275.000 ÷ 275.052	269.892 ÷ 269.944	BRM-... P 270275100	100	BRM-... P 27528060	275	280	60	275.000 ÷ 275.130	280.000 ÷ 280.052	274.892 ÷ 274.944	BRM-... P 275280100	100																																																																																																																																																				
BRM-... P 23023560	230	235	60	230.000 ÷ 230.115	235.000 ÷ 235.046	229.904 ÷ 229.950																																																																																																																																																																																																																																					
BRM-... P 230235100			100				BRM-... P 23524060	235	240	60	235.000 ÷ 235.115	240.000 ÷ 240.046	234.904 ÷ 234.950	BRM-... P 235240100	100	BRM-... P 24024560	240	245	60	240.000 ÷ 240.115	245.000 ÷ 245.046	239.904 ÷ 239.950	BRM-... P 240245100	100	BRM-... P 24525060	245	250	60	245.000 ÷ 245.115	250.000 ÷ 250.046	244.904 ÷ 244.950	BRM-... P 245250100	100	BRM-... P 25025560	250	255	60	250.000 ÷ 250.115	255.000 ÷ 255.052	249.904 ÷ 249.950	BRM-... P 250255100	100	BRM-... P 26026560	260	265	60	260.000 ÷ 260.130	265.000 ÷ 265.052	259.892 ÷ 259.944	BRM-... P 260265100	100	BRM-... P 26527060	265	270	60	265.000 ÷ 265.130	270.000 ÷ 270.052	264.892 ÷ 264.944	BRM-... P 265270100	100	BRM-... P 27027560	270	275	60	270.000 ÷ 270.130	275.000 ÷ 275.052	269.892 ÷ 269.944	BRM-... P 270275100	100	BRM-... P 27528060	275	280	60	275.000 ÷ 275.130	280.000 ÷ 280.052	274.892 ÷ 274.944	BRM-... P 275280100	100																																																																																																																																																													
BRM-... P 23524060	235	240	60	235.000 ÷ 235.115	240.000 ÷ 240.046	234.904 ÷ 234.950																																																																																																																																																																																																																																					
BRM-... P 235240100			100				BRM-... P 24024560	240	245	60	240.000 ÷ 240.115	245.000 ÷ 245.046	239.904 ÷ 239.950	BRM-... P 240245100	100	BRM-... P 24525060	245	250	60	245.000 ÷ 245.115	250.000 ÷ 250.046	244.904 ÷ 244.950	BRM-... P 245250100	100	BRM-... P 25025560	250	255	60	250.000 ÷ 250.115	255.000 ÷ 255.052	249.904 ÷ 249.950	BRM-... P 250255100	100	BRM-... P 26026560	260	265	60	260.000 ÷ 260.130	265.000 ÷ 265.052	259.892 ÷ 259.944	BRM-... P 260265100	100	BRM-... P 26527060	265	270	60	265.000 ÷ 265.130	270.000 ÷ 270.052	264.892 ÷ 264.944	BRM-... P 265270100	100	BRM-... P 27027560	270	275	60	270.000 ÷ 270.130	275.000 ÷ 275.052	269.892 ÷ 269.944	BRM-... P 270275100	100	BRM-... P 27528060	275	280	60	275.000 ÷ 275.130	280.000 ÷ 280.052	274.892 ÷ 274.944	BRM-... P 275280100	100																																																																																																																																																																						
BRM-... P 24024560	240	245	60	240.000 ÷ 240.115	245.000 ÷ 245.046	239.904 ÷ 239.950																																																																																																																																																																																																																																					
BRM-... P 240245100			100				BRM-... P 24525060	245	250	60	245.000 ÷ 245.115	250.000 ÷ 250.046	244.904 ÷ 244.950	BRM-... P 245250100	100	BRM-... P 25025560	250	255	60	250.000 ÷ 250.115	255.000 ÷ 255.052	249.904 ÷ 249.950	BRM-... P 250255100	100	BRM-... P 26026560	260	265	60	260.000 ÷ 260.130	265.000 ÷ 265.052	259.892 ÷ 259.944	BRM-... P 260265100	100	BRM-... P 26527060	265	270	60	265.000 ÷ 265.130	270.000 ÷ 270.052	264.892 ÷ 264.944	BRM-... P 265270100	100	BRM-... P 27027560	270	275	60	270.000 ÷ 270.130	275.000 ÷ 275.052	269.892 ÷ 269.944	BRM-... P 270275100	100	BRM-... P 27528060	275	280	60	275.000 ÷ 275.130	280.000 ÷ 280.052	274.892 ÷ 274.944	BRM-... P 275280100	100																																																																																																																																																																															
BRM-... P 24525060	245	250	60	245.000 ÷ 245.115	250.000 ÷ 250.046	244.904 ÷ 244.950																																																																																																																																																																																																																																					
BRM-... P 245250100			100				BRM-... P 25025560	250	255	60	250.000 ÷ 250.115	255.000 ÷ 255.052	249.904 ÷ 249.950	BRM-... P 250255100	100	BRM-... P 26026560	260	265	60	260.000 ÷ 260.130	265.000 ÷ 265.052	259.892 ÷ 259.944	BRM-... P 260265100	100	BRM-... P 26527060	265	270	60	265.000 ÷ 265.130	270.000 ÷ 270.052	264.892 ÷ 264.944	BRM-... P 265270100	100	BRM-... P 27027560	270	275	60	270.000 ÷ 270.130	275.000 ÷ 275.052	269.892 ÷ 269.944	BRM-... P 270275100	100	BRM-... P 27528060	275	280	60	275.000 ÷ 275.130	280.000 ÷ 280.052	274.892 ÷ 274.944	BRM-... P 275280100	100																																																																																																																																																																																								
BRM-... P 25025560	250	255	60	250.000 ÷ 250.115	255.000 ÷ 255.052	249.904 ÷ 249.950																																																																																																																																																																																																																																					
BRM-... P 250255100			100				BRM-... P 26026560	260	265	60	260.000 ÷ 260.130	265.000 ÷ 265.052	259.892 ÷ 259.944	BRM-... P 260265100	100	BRM-... P 26527060	265	270	60	265.000 ÷ 265.130	270.000 ÷ 270.052	264.892 ÷ 264.944	BRM-... P 265270100	100	BRM-... P 27027560	270	275	60	270.000 ÷ 270.130	275.000 ÷ 275.052	269.892 ÷ 269.944	BRM-... P 270275100	100	BRM-... P 27528060	275	280	60	275.000 ÷ 275.130	280.000 ÷ 280.052	274.892 ÷ 274.944	BRM-... P 275280100	100																																																																																																																																																																																																	
BRM-... P 26026560	260	265	60	260.000 ÷ 260.130	265.000 ÷ 265.052	259.892 ÷ 259.944																																																																																																																																																																																																																																					
BRM-... P 260265100			100				BRM-... P 26527060	265	270	60	265.000 ÷ 265.130	270.000 ÷ 270.052	264.892 ÷ 264.944	BRM-... P 265270100	100	BRM-... P 27027560	270	275	60	270.000 ÷ 270.130	275.000 ÷ 275.052	269.892 ÷ 269.944	BRM-... P 270275100	100	BRM-... P 27528060	275	280	60	275.000 ÷ 275.130	280.000 ÷ 280.052	274.892 ÷ 274.944	BRM-... P 275280100	100																																																																																																																																																																																																										
BRM-... P 26527060	265	270	60	265.000 ÷ 265.130	270.000 ÷ 270.052	264.892 ÷ 264.944																																																																																																																																																																																																																																					
BRM-... P 265270100			100				BRM-... P 27027560	270	275	60	270.000 ÷ 270.130	275.000 ÷ 275.052	269.892 ÷ 269.944	BRM-... P 270275100	100	BRM-... P 27528060	275	280	60	275.000 ÷ 275.130	280.000 ÷ 280.052	274.892 ÷ 274.944	BRM-... P 275280100	100																																																																																																																																																																																																																			
BRM-... P 27027560	270	275	60	270.000 ÷ 270.130	275.000 ÷ 275.052	269.892 ÷ 269.944																																																																																																																																																																																																																																					
BRM-... P 270275100			100				BRM-... P 27528060	275	280	60	275.000 ÷ 275.130	280.000 ÷ 280.052	274.892 ÷ 274.944	BRM-... P 275280100	100																																																																																																																																																																																																																												
BRM-... P 27528060	275	280	60	275.000 ÷ 275.130	280.000 ÷ 280.052	274.892 ÷ 274.944																																																																																																																																																																																																																																					
BRM-... P 275280100			100																																																																																																																																																																																																																																								

# BRM-10&80 PRE-LUBRICATED BEARINGS

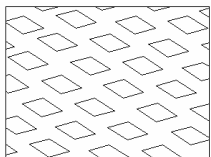
METRIC SIZES

Part Number	D1	D2	H	D1 (After As.bly)	Dg (Housing Recom.)	d (Shaft Recomend)
BRM-... P 28028560	280	285	60	280.000 ÷ 280.130	285.000 ÷ 285.052	279.892 ÷ 279.944
BRM-... P 280285100			100			
BRM-... P 28529060	285	290	60	285.000 ÷ 285.130	290.000 ÷ 290.052	284.892 ÷ 284.944
BRM-... P 285290100			100			
BRM-... P 30030560	300	305	60	300.000 ÷ 300.130	305.000 ÷ 305.052	299.892 ÷ 299.944
BRM-... P 300305100			100			

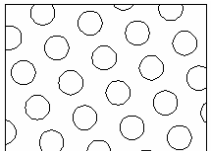
*Chamfers General Tollerances:*

Part Number	Part Number	f1	f2
BRM-... P 101210	BRM-... P 202225	0.20±1.00	0.10±0.50
BRM-... P 202310	BRM-... P 283130	0.20±1.00	0.10±0.70
BRM-... P 283215	BRM-... P 404450	0.80±1.60	0.10±0.70
BRM-... P 455020	BRM-... P 300305100	1.20±2.40	0.20±1.00

*Internal Surface:*



*BRM-10 (Lozenge Pockets)*



*BRM-80 (Through Holes)*

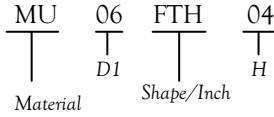
**MU**

**SELF-LUBRICATED BEARINGS**

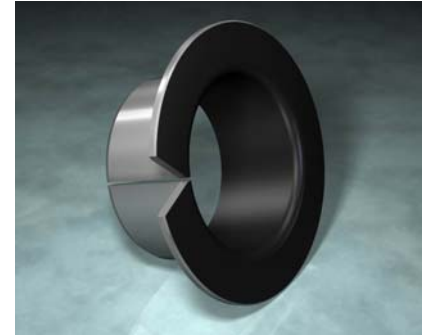
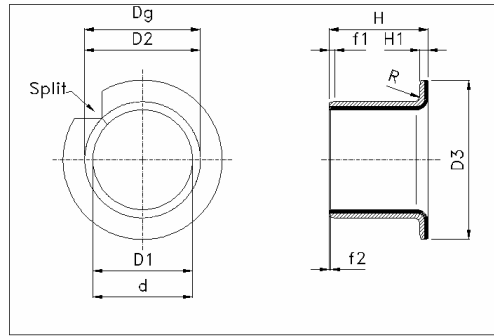
**INCH SIZES**

Flanged Plain Bearings  
dimension according to ISO 3547

Part Number Structure:



General Tolerances:  
Length (H) = ±0.010  
Flange (D3) = ±0.020  
Flange Thick. (H1) = +0.0019/0.0078



Available from stock

Part Number	D1	D2	D3	H	D1 (After Assembly)	Dg (Housing Recommended)	d (Shaft Recommended)
MU 06FTH04	0.3750	0.4688	0.6875	0.2500	0.3742 ÷ 0.3769	0.4684 ÷ 0.4691	0.3731 ÷ 0.3740
MU 06FTH06				0.3750			
MU 06FTH08				0.5000			
MU 06FTH12				0.7500			
MU 08FTH04	0.5000	0.5938	0.8125	0.2500	0.4992 ÷ 0.5019	0.5934 ÷ 0.5941	0.4980 ÷ 0.4990
MU 08FTH06				0.3750			
MU 08FTH08				0.5000			
MU 08FTH12				0.7500			
MU 10FTH06	0.6250	0.7188	0.9375	0.3750	0.6242 ÷ 0.6270	0.7184 ÷ 0.7192	0.6230 ÷ 0.6240
MU 10FTH08				0.5000			
MU 10FTH10				0.6250			
MU 10FTH12				0.7500			
MU 12FTH06	0.7500	0.8750	1.1250	0.3750	0.7493 ÷ 0.7525	0.8747 ÷ 0.8755	0.7479 ÷ 0.7491
MU 12FTH08				0.5000			
MU 12FTH12				0.7500			
MU 12FTH16				1.0000			
MU 14FTH08	0.8750	1.0000	1.2500	0.5000	0.8743 ÷ 0.8775	0.9997 ÷ 1.0005	0.8729 ÷ 0.8741
MU 14FTH12				0.7500			
MU 14FTH16				1.0000			
MU 14FTH20				1.2500			
MU 16FTH08	1.0000	1.1250	1.3750	0.5000	0.9992 ÷ 1.0026	1.1246 ÷ 1.1256	0.9979 ÷ 0.9991
MU 16FTH12				0.7500			
MU 16FTH16				1.0000			
MU 16FTH20				1.2500			
MU 20FTH16	1.2500	1.4063	1.7500	1.0000	1.2490 ÷ 1.2528	1.4058 ÷ 1.4068	1.2472 ÷ 1.2488
MU 20FTH20				1.2500			
MU 20FTH24				1.5000			
MU 24FTH16	1.5000	1.6563	2.0000	1.0000	1.4990 ÷ 1.5028	1.6558 ÷ 1.6568	1.4972 ÷ 1.4988
MU 24FTH24				1.5000			
MU 24FTH32				2.0000			
MU 28FTH16	1.7500	1.9375	2.3750	1.0000	1.7489 ÷ 1.7535	1.9371 ÷ 1.9381	1.7471 ÷ 1.7487
MU 28FTH24				1.5000			
MU 28FTH32				2.0000			

General Tolerances:	Part Number	Part Number	f1	f2	H1	R
	MU 06FTH04	MU 10FTH12	0.0078 ÷ 0.0314	0.0039 ÷ 0.0157	0.0381 ÷ 0.0490	0.0342 ÷ 0.0460
	MU 12FTH06	MU 16FTH20	0.0078 ÷ 0.0393	0.0039 ÷ 0.0196	0.0535 ÷ 0.0645	0.0496 ÷ 0.0614
	MU 20FTH16	MU 24FTH32	0.0078 ÷ 0.0393	0.0039 ÷ 0.0275	0.0688 ÷ 0.0803	0.0653 ÷ 0.0767
	MU 28FTH16	MU 28FTH32	0.0314 ÷ 0.0629	0.0039 ÷ 0.0275	0.0842 ÷ 0.0960	0.0803 ÷ 0.0921

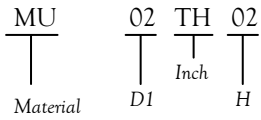
# MU

# SELF-LUBRICATED BEARINGS

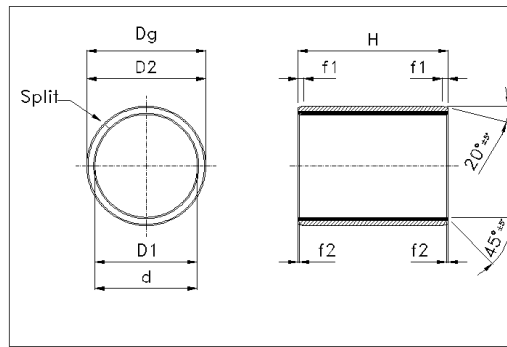
INCH SIZES

Cylindrical Plain Bearings  
dimension according to ISO 3547

Part Number Structure:



General Tolerances:  
Length (H) = ±0.010



Available from stock

Part Number	D1	D2	H	D1 (After Assembly)	Dg (Housing Recommended)	d (Shaft Recommended)
MU 02TH02	0.1250	0.1875	0.1250	0.1243 ÷ 0.1268	0.1873 ÷ 0.1878	0.1236 ÷ 0.1243
MU 02TH03			0.1875			
MU 025TH025	0.1563	0.2188	0.1563	0.1556 ÷ 0.1581	0.2186 ÷ 0.2191	0.1547 ÷ 0.1554
MU 025TH04			0.2500			
MU 03TH03	0.1875	0.2500	0.1875	0.1867 ÷ 0.1893	0.2497 ÷ 0.2503	0.1858 ÷ 0.1865
MU 03TH04			0.2500			
MU 03TH06			0.3750			
MU 04TH04	0.2500	0.3125	0.2500	0.2492 ÷ 0.2518	0.3122 ÷ 0.3128	0.2481 ÷ 0.2490
MU 04TH06			0.3750			
MU 05TH06	0.3125	0.3750	0.3750	0.3117 ÷ 0.3143	0.3747 ÷ 0.3753	0.3106 ÷ 0.3115
MU 05TH08			0.5000			
MU 06TH03	0.3750	0.4688	0.1875	0.3742 ÷ 0.3769	0.4684 ÷ 0.4691	0.3731 ÷ 0.3740
MU 06TH04			0.2500			
MU 06TH06			0.3750			
MU 06TH08			0.5000			
MU 06TH10			0.6250			
MU 06TH12			0.7500			
MU 07TH08	0.4375	0.5313	0.5000	0.4367 ÷ 0.4394	0.5309 ÷ 0.5316	0.4355 ÷ 0.4365
MU 07TH12			0.7500			
MU 08TH04	0.5000	0.5938	0.2500	0.4992 ÷ 0.5019	0.5934 ÷ 0.5941	0.4980 ÷ 0.4990
MU 08TH06			0.3750			
MU 08TH08			0.5000			
MU 08TH10			0.6250			
MU 08TH12			0.7500			
MU 08TH14	0.8750					
MU 09TH06	0.5625	0.6563	0.3750	0.5617 ÷ 0.5644	0.6559 ÷ 0.6566	0.5605 ÷ 0.5615
MU 09TH08			0.5000			
MU 09TH10			0.6250			
MU 09TH12			0.7500			
MU 10TH04	0.6250	0.7188	0.2500	0.6242 ÷ 0.6270	0.7184 ÷ 0.7192	0.6230 ÷ 0.6240
MU 10TH08			0.5000			
MU 10TH10			0.6250			
MU 10TH12			0.7500			
MU 10TH14			0.8750			
MU 10TH16	1.0000					
MU 11TH14	0.6875	0.7813	0.8750	0.6867 ÷ 0.6895	0.7809 ÷ 0.7817	0.6855 ÷ 0.6865
MU 12TH04	0.7500	0.8750	0.2500	0.7493 ÷ 0.7525	0.8747 ÷ 0.8755	0.7479 ÷ 0.7491
MU 12TH06			0.3750			
MU 12TH08			0.5000			
MU 12TH10			0.6250			
MU 12TH12			0.7500			
MU 12TH16	1.0000					
MU 13TH12	0.8125	0.9375	0.7500	0.8118 ÷ 0.8150	0.9372 ÷ 0.9380	0.8104 ÷ 0.8116



**MU**
**SELF-LUBRICATED BEARINGS**

INCH SIZES
------------

Part Number	D1	D2	H	D1 (After Assembly)	Dg (Housing Recommended)	d (Shaft Recommended)
MU 13TH18	0.8125	0.9375	1.1250	0.8118 ÷ 0.8150	0.9372 ÷ 0.9380	0.8104 ÷ 0.8116
MU 14TH04	0.8750	1.0000	0.2500	0.8743 ÷ 0.8775	0.9997 ÷ 1.0005	0.8729 ÷ 0.8741
MU 14TH06			0.3750			
MU 14TH12			0.7500			
MU 14TH14			0.8750			
MU 14TH16			1.0000			
MU 14TH20			1.2500			
MU 16TH06	1.0000	1.1250	0.3750	0.9992 ÷ 1.0026	1.1246 ÷ 1.1256	0.9979 ÷ 0.9991
MU 16TH08			0.5000			
MU 16TH12			0.7500			
MU 16TH16			1.0000			
MU 16TH20			1.2500			
MU 16TH24			1.5000			
MU 18TH06	1.1250	1.2813	0.3750	1.1240 ÷ 1.1278	1.2808 ÷ 1.2818	1.1226 ÷ 1.1238
MU 18TH10			0.6250			
MU 18TH12			0.7500			
MU 18TH16			1.0000			
MU 20TH06	1.2500	1.4063	0.3750	1.2490 ÷ 1.2528	1.4058 ÷ 1.4068	1.2472 ÷ 1.2488
MU 20TH12			0.7500			
MU 20TH14			0.8750			
MU 20TH16			1.0000			
MU 20TH20			1.2500			
MU 20TH28			1.7500			
MU 22TH12	1.3750	1.5313	0.7500	1.3740 ÷ 1.3778	1.5308 ÷ 1.5318	1.3722 ÷ 1.3738
MU 22TH16			1.0000			
MU 22TH22			1.3750			
MU 22TH24			1.5000			
MU 22TH28			1.7500			
MU 24TH08	1.5000	1.6563	0.5000	1.4990 ÷ 1.5028	1.6558 ÷ 1.6568	1.4972 ÷ 1.4988
MU 24TH16			1.0000			
MU 24TH18			1.1250			
MU 24TH20			1.2500			
MU 24TH24			1.5000			
MU 24TH32			2.0000			
MU 26TH16	1.6250	1.7813	1.0000	1.6240 ÷ 1.6278	1.7808 ÷ 1.7818	1.6222 ÷ 1.6238
MU 26TH24			1.5000			
MU 28TH16	1.7500	1.9375	1.0000	1.7489 ÷ 1.7535	1.9371 ÷ 1.9381	1.7471 ÷ 1.7487
MU 28TH24			1.5000			
MU 28TH28			1.7500			
MU 28TH32			2.0000			
MU 30TH12			1.8750			
MU 30TH16	1.0000					
MU 30TH30	1.8750					
MU 30TH36	2.2500					
MU 32TH08	2.0000	2.1875	0.5000	1.9989 ÷ 2.0037	2.1871 ÷ 2.1883	1.9969 ÷ 1.9987
MU 32TH16			1.0000			
MU 32TH24			1.5000			
MU 32TH28			1.7500			
MU 32TH32			2.0000			
MU 32TH40			2.5000			
MU 34TH48	2.1250	2.3125	3.0000	2.1259 ÷ 2.1323	2.3115 ÷ 2.3127	2.1239 ÷ 2.1257
MU 36TH28	2.2500	2.4375	1.7500	2.2509 ÷ 2.2573	2.4365 ÷ 2.4377	2.2489 ÷ 2.2507
MU 36TH32			2.0000			
MU 36TH36			2.2500			
MU 36TH40			2.5000			

# MU

# SELF-LUBRICATED BEARINGS

INCH SIZES

Part Number	D1	D2	H	D1 (After Assembly)	Dg (Housing Recommended)	d (Shaft Recommended)
MU 36TH48	2.2500	2.4375	3.0000	2.2509 ÷ 2.2573	2.4365 ÷ 2.4377	2.2489 ÷ 2.2507
MU 36TH56			3.5000			
MU 36TH60			3.7500			
MU 36TH64			4.0000			
MU 36TH72			4.5000			
MU 40TH16	2.5000	2.6875	1.0000	2.5013 ÷ 2.5077	2.6869 ÷ 2.6881	2.4993 ÷ 2.5011
MU 40TH26			1.6250			
MU 40TH32			2.0000			
MU 40TH40			2.5000			
MU 40TH48			3.0000			
MU 40TH56			3.5000			
MU 40TH60			3.7500			
MU 40TH64			4.0000			
MU 40TH72			4.5000			
MU 40TH76			4.7500			
MU 44TH32	2.7500	2.9375	2.0000	2.7502 ÷ 2.7566	2.9358 ÷ 2.9370	2.7482 ÷ 2.7500
MU 44TH36			2.2500			
MU 44TH40			2.5000			
MU 44TH48			3.0000			
MU 44TH56			3.5000			
MU 44TH60			3.7500			
MU 44TH64			4.0000			
MU 44TH72			4.5000			
MU 44TH76			4.7500			
MU 44TH80			5.0000			
MU 46TH32	2.8750	3.0625	2.0000	2.8754 ÷ 2.8819	3.0610 ÷ 3.0623	2.8734 ÷ 2.8752
MU 46TH36			2.2500			
MU 46TH40			2.5000			
MU 46TH48			3.0000			
MU 46TH56			3.5000			
MU 46TH60			3.7500			
MU 46TH64			4.0000			
MU 46TH72			4.5000			
MU 46TH76			4.7500			
MU 46TH80			5.0000			
MU 48TH32	3.0000	3.1875	2.0000	3.0002 ÷ 3.0068	3.1858 ÷ 3.1872	2.9982 ÷ 3.0000
MU 48TH36			2.2500			
MU 48TH40			2.5000			
MU 48TH48			3.0000			
MU 48TH56			3.5000			
MU 48TH60			3.7500			
MU 48TH64			4.0000			
MU 48TH72			4.5000			
MU 48TH76			4.7500			
MU 48TH80			5.0000			
MU 52TH32	3.2500	3.4375	2.0000	3.2502 ÷ 3.2568	3.4358 ÷ 3.4372	3.2480 ÷ 3.2500
MU 52TH38			2.3750			
MU 52TH40			2.5000			
MU 52TH48			3.0000			
MU 52TH56			3.5000			
MU 52TH60			3.7500			
MU 52TH64			4.0000			
MU 52TH72			4.5000			
MU 52TH76			4.7500			
MU 52TH80			5.0000			

**MU**
**SELF-LUBRICATED BEARINGS**

INCH SIZES
------------

Part Number	D1	D2	H	D1 (After Assembly)	Dg (Housing Recommended)	d (Shaft Recommended)
MU 56TH32	3.5000	3.6875	2.0000	3.5002 ÷ 3.5068	3.6858 ÷ 3.6872	3.4978 ÷ 3.5000
MU 56TH38			2.3750			
MU 56TH40			2.5000			
MU 56TH48			3.0000			
MU 56TH56			3.5000			
MU 56TH60			3.7500			
MU 56TH64			4.0000			
MU 56TH72			4.5000			
MU 56TH76			4.7500			
MU 56TH80			5.0000			
MU 58TH32	3.6250	3.8125	2.0000	3.6258 ÷ 3.6318	3.8108 ÷ 3.8122	3.6228 ÷ 3.6250
MU 58TH36			2.2500			
MU 58TH40			2.5000			
MU 58TH48			3.0000			
MU 58TH56			3.5000			
MU 58TH60			3.7500			
MU 58TH64			4.0000			
MU 58TH72			4.5000			
MU 58TH76			4.7500			
MU 58TH80			5.0000			
MU 60TH32	3.7500	3.9375	2.0000	3.7502 ÷ 3.7568	3.9358 ÷ 3.9372	3.7478 ÷ 3.7500
MU 60TH36			2.2500			
MU 60TH40			2.5000			
MU 60TH48			3.0000			
MU 60TH56			3.5000			
MU 60TH60			3.7500			
MU 60TH64			4.0000			
MU 60TH72			4.5000			
MU 60TH76			4.7500			
MU 60TH80			5.0000			
MU 64TH32	4.0000	4.1875	2.0000	4.0002 ÷ 4.0068	4.1858 ÷ 4.1872	3.9978 ÷ 4.0000
MU 64TH36			2.2500			
MU 64TH40			2.5000			
MU 64TH48			3.0000			
MU 64TH56			3.5000			
MU 64TH60			3.7500			
MU 64TH64			4.0000			
MU 64TH72			4.5000			
MU 64TH76			4.7500			
MU 64TH80			5.0000			
MU 68TH32	4.2500	4.4375	2.0000	4.2502 ÷ 4.2568	4.4358 ÷ 4.4372	4.2478 ÷ 4.2500
MU 68TH36			2.2500			
MU 68TH40			2.5000			
MU 68TH48			3.0000			
MU 68TH56			3.5000			
MU 68TH60			3.7500			
MU 68TH64			4.0000			
MU 68TH72			4.5000			
MU 68TH76			4.7500			
MU 68TH80			5.0000			
MU 70TH32	4.3750	4.5625	2.0000	4.3752 ÷ 4.3818	4.5608 ÷ 4.5622	4.3728 ÷ 4.3750
MU 70TH36			2.2500			
MU 70TH40			2.5000			
MU 70TH48			3.0000			
MU 70TH56			3.5000			

# MU

# SELF-LUBRICATED BEARINGS

INCH SIZES

Part Number	D1	D2	H	D1 (After Assembly)	Dg (Housing Recommended)	d (Shaft Recommended)
MU 70TH60	4.3750	4.5625	3.7500	4.3752 ÷ 4.3818	4.5608 ÷ 4.5622	4.3728 ÷ 4.3750
MU 70TH64			4.0000			
MU 70TH72			4.5000			
MU 70TH76			4.7500			
MU 70TH80			5.0000			
MU 72TH32	4.5000	4.6875	2.0000	4.5002 ÷ 4.5068	4.6858 ÷ 4.6872	4.4978 ÷ 4.5000
MU 72TH36			2.2500			
MU 72TH40			2.5000			
MU 72TH48			3.0000			
MU 72TH56			3.5000			
MU 72TH60			3.7500			
MU 72TH64			4.0000			
MU 72TH72			4.5000			
MU 72TH76			4.7500			
MU 72TH80			5.0000			
MU 76TH32	4.7500	4.9375	2.0000	4.7502 ÷ 4.7570	4.9358 ÷ 4.9374	4.7475 ÷ 4.7500
MU 76TH36			2.2500			
MU 76TH40			2.5000			
MU 76TH48			3.0000			
MU 76TH56			3.5000			
MU 76TH60			3.7500			
MU 76TH64			4.0000			
MU 76TH72			4.5000			
MU 76TH76			4.7500			
MU 76TH80			5.0000			
MU 80TH32	5.0000	5.1875	2.0000	4.9988 ÷ 5.0056	5.1844 ÷ 5.1860	4.9961 ÷ 4.9986
MU 80TH36			2.2500			
MU 80TH40			2.5000			
MU 80TH48			3.0000			
MU 80TH56			3.5000			
MU 80TH60			3.7500			
MU 80TH64			4.0000			
MU 80TH72			4.5000			
MU 80TH76			4.7500			
MU 80TH80			5.0000			
MU 84TH32	5.2500	5.4375	2.0000	5.2502 ÷ 5.2570	5.4358 ÷ 5.4374	5.2475 ÷ 5.2500
MU 84TH36			2.2500			
MU 84TH40			2.5000			
MU 84TH48			3.0000			
MU 84TH56			3.5000			
MU 84TH60			3.7500			
MU 84TH64			4.0000			
MU 84TH72			4.5000			
MU 84TH76			4.7500			
MU 84TH80			5.0000			
MU 88TH32	5.5000	5.6875	2.0000	5.5002 ÷ 5.5070	5.6858 ÷ 5.6874	5.4975 ÷ 5.5000
MU 88TH36			2.2500			
MU 88TH40			2.5000			
MU 88TH48			3.0000			
MU 88TH56			3.5000			
MU 88TH60			3.7500			
MU 88TH64			4.0000			
MU 88TH72			4.5000			
MU 88TH76			4.7500			
MU 88TH80			5.0000			

<i>Part Number</i>	<i>D1</i>	<i>D2</i>	<i>H</i>	<i>D1 (After Assembly)</i>	<i>Dg (Housing Recommended)</i>	<i>d (Shaft Recommended)</i>
MU 92TH32	5.7500	5.9375	2.0000	5.7502 ÷ 5.7570	5.9358 ÷ 5.9374	5.7475 ÷ 5.7500
MU 92TH36			2.2500			
MU 92TH40			2.5000			
MU 92TH48			3.0000			
MU 92TH56			3.5000			
MU 92TH60			3.7500			
MU 92TH64			4.0000			
MU 92TH72			4.5000			
MU 92TH76			4.7500			
MU 92TH80			5.0000			
MU 96TH32	6.0000	6.1875	2.0000	6.0002 ÷ 6.0070	6.1858 ÷ 6.1874	5.9975 ÷ 6.0000
MU 96TH36			2.2500			
MU 96TH40			2.5000			
MU 96TH48			3.0000			
MU 96TH56			3.5000			
MU 96TH60			3.7500			
MU 96TH64			4.0000			
MU 96TH72			4.5000			
MU 96TH76			4.7500			
MU 96TH80			5.0000			
MU 100TH32	6.2500	6.4375	2.0000	6.2502 ÷ 6.2570	6.4358 ÷ 6.4374	6.2475 ÷ 6.2500
MU 100TH36			2.2500			
MU 100TH40			2.5000			
MU 100TH48			3.0000			
MU 100TH56			3.5000			
MU 100TH60			3.7500			
MU 100TH64			4.0000			
MU 100TH72			4.5000			
MU 100TH76			4.7500			
MU 100TH80			5.0000			
MU 104TH32	6.5000	6.6875	2.0000	6.5002 ÷ 6.5070	6.6858 ÷ 6.6874	6.4975 ÷ 6.5000
MU 104TH36			2.2500			
MU 104TH40			2.5000			
MU 104TH48			3.0000			
MU 104TH56			3.5000			
MU 104TH60			3.7500			
MU 104TH64			4.0000			
MU 104TH72			4.5000			
MU 104TH76			4.7500			
MU 104TH80			5.0000			
MU 108TH32	6.7500	6.9375	2.0000	6.7502 ÷ 6.7570	6.9358 ÷ 6.9374	6.7475 ÷ 6.7500
MU 108TH36			2.2500			
MU 108TH40			2.5000			
MU 108TH48			3.0000			
MU 108TH56			3.5000			
MU 108TH60			3.7500			
MU 108TH64			4.0000			
MU 108TH72			4.5000			
MU 108TH76			4.7500			
MU 108TH80			5.0000			
MU 112TH32	7.0000	7.1875	2.0000	6.9965 ÷ 7.0026	7.1812 ÷ 7.1830	6.9929 ÷ 6.9954
MU 112TH36			2.2500			
MU 112TH40			2.5000			
MU 112TH48			3.0000			
MU 112TH56			3.5000			

# MU

# SELF-LUBRICATED BEARINGS

INCH SIZES

Part Number	D1	D2	H	D1 (After Assembly)	Dg (Housing Recommended)	d (Shaft Recommended)
MU 112TH60	7.0000	7.1875	3.7500	6.9965 ÷ 7.0026	7.1812 ÷ 7.1830	6.9929 ÷ 6.9954
MU 112TH64			4.0000			
MU 112TH72			4.5000			
MU 112TH76			4.7500			
MU 112TH80			5.0000			

*Chamfers General Tollerances:*

Part Number	Part Number	f1	f2
MU 02TH02	MU 05TH08	0.0078 ÷ 0.0314	0.0039 ÷ 0.0157
MU 06TH03	MU 11TH14	0.0078 ÷ 0.0939	0.0039 ÷ 0.0196
MU 12TH04	MU 16TH24	0.0078 ÷ 0.0939	0.0039 ÷ 0.0275
MU 18TH06	MU 26TH24	0.0314 ÷ 0.0629	0.0039 ÷ 0.0275
MU 28TH16	MU 112TH80	0.0472 ÷ 0.0944	0.0078 ÷ 0.0393

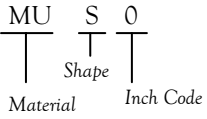
**MU**

**SELF-LUBRICATED STRIPS**

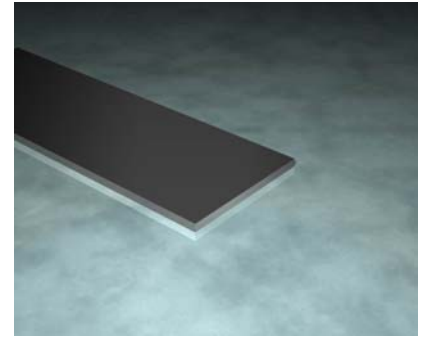
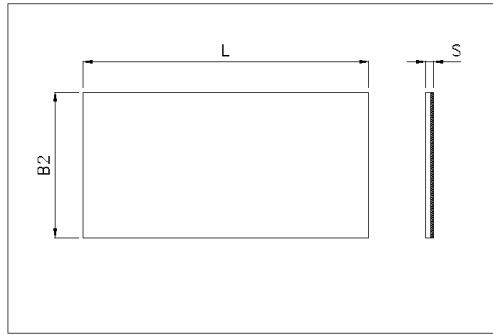
**INCH SIZES**

Strips

*Part Number Structure:*



General Tolerances:  
 Width (B2) = ±0.078  
 Length (L) = ±0.078



*Available from stock*

Part Number	S	B2	L
MU S 0	0.0277 ÷ 0.0293	2.75	18.00
MU S 1	0.0431 ÷ 0.0447	4.00	18.00
MU S 2	0.0586 ÷ 0.0602	4.00	18.00
MU S 3	0.0740 ÷ 0.0756	4.00	18.00
MU S 4	0.0897 ÷ 0.0913	4.00	18.00
MU S 5	0.1190 ÷ 0.1210	4.00	18.00

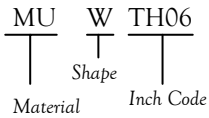
# MU

## SELF-LUBRICATED THRUST WASHERS

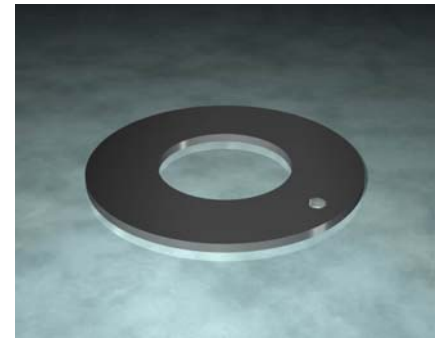
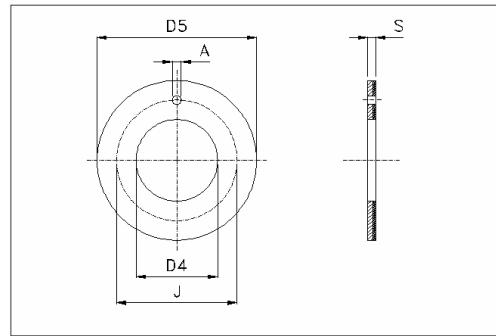
INCH SIZES

Thrust Washers

Part Number Structure:



General Tolerances:  
 I.D. (D4) = +0.010  
 O.D. (D5) = -0.010



Available from stock

Part Number	D4	D5	S	J	A
MU W TH06	0.5000	0.8750	0.061 ÷ 0.063	0.682 ÷ 0.692	0.067 ÷ 0.077
MU W TH07	0.5620	1.0000	0.061 ÷ 0.063	0.776 ÷ 0.786	0.067 ÷ 0.077
MU W TH08	0.6250	1.1250	0.061 ÷ 0.063	0.870 ÷ 0.880	0.099 ÷ 0.109
MU W TH09	0.6870	1.1870	0.061 ÷ 0.063	0.932 ÷ 0.942	0.099 ÷ 0.109
MU W TH10	0.7500	1.2500	0.061 ÷ 0.063	0.995 ÷ 1.005	0.099 ÷ 0.109
MU W TH11	0.8120	1.3750	0.061 ÷ 0.063	1.089 ÷ 1.099	0.099 ÷ 0.109
MU W TH12	0.8750	1.5000	0.061 ÷ 0.063	1.182 ÷ 1.192	0.130 ÷ 0.140
MU W TH14	1.0000	1.7500	0.061 ÷ 0.063	1.370 ÷ 1.380	0.130 ÷ 0.140
MU W TH16	1.1250	2.0000	0.061 ÷ 0.063	1.557 ÷ 1.567	0.161 ÷ 0.171
MU W TH18	1.2500	2.1250	0.061 ÷ 0.063	1.682 ÷ 1.692	0.161 ÷ 0.171
MU W TH20	1.3750	2.2500	0.061 ÷ 0.063	1.807 ÷ 1.817	0.161 ÷ 0.171
MU W TH22	1.5000	2.5000	0.061 ÷ 0.063	1.995 ÷ 2.005	0.192 ÷ 0.202
MU W TH24	1.6250	2.6250	0.061 ÷ 0.063	2.120 ÷ 2.130	0.192 ÷ 0.202
MU W TH26	1.7500	2.7500	0.061 ÷ 0.063	2.245 ÷ 2.255	0.192 ÷ 0.202
MU W TH28	2.0000	3.0000	0.091 ÷ 0.093	2.495 ÷ 2.505	0.192 ÷ 0.202
MU W TH30	2.1250	3.1250	0.091 ÷ 0.093	2.620 ÷ 2.630	0.192 ÷ 0.202
MU W TH32	2.2500	3.2500	0.091 ÷ 0.093	2.745 ÷ 2.755	0.192 ÷ 0.202



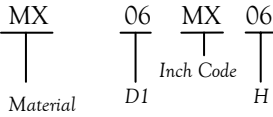
# MX

# PRE-LUBRICATED BEARINGS

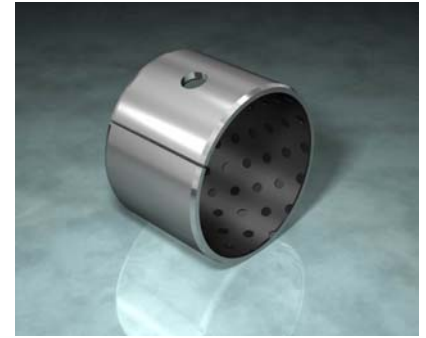
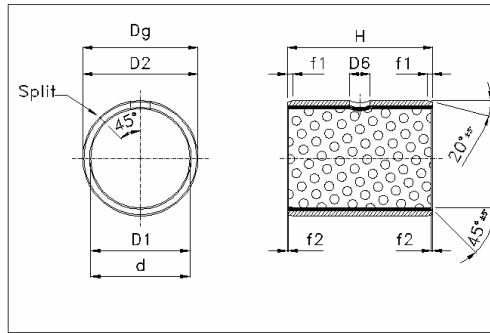
INCH SIZES U.K.

Cylindrical Plain Bearings  
dimension according to ISO 3547

Part Number Structure:



General Tolerances:  
Length (H) = ±0.010  
Lubric. Hole (D6) = ±0.011  
Position Hole = 45°



Not Available from stock

Part Number	D1	D2	H	D6	D1 (After As.bly)	Dg (Housing Recom.)	d (Shaft Recomend)
MX 06MX06	0.3750	0.4688	0.3750	0.1562	0.3667 ÷ 0.3694	0.4687 ÷ 0.4694	0.3639 ÷ 0.3648
MX 06MX08			0.5000				
MX 06MX12			0.7500				
MX 07MX08	0.4375	0.5313	0.5000	0.1562	0.4292 ÷ 0.4319	0.5312 ÷ 0.5319	0.4263 ÷ 0.4273
MX 07MX12			0.7500				
MX 08MX06	0.5000	0.5938	0.3750	0.1562	0.4917 ÷ 0.4944	0.5937 ÷ 0.5944	0.4887 ÷ 0.4897
MX 08MX08			0.5000				
MX 08MX10			0.6250				
MX 08MX14			0.8750				
MX 09MX08	0.5625	0.6563	0.5000	0.1562	0.5542 ÷ 0.5569	0.6562 ÷ 0.6569	0.5512 ÷ 0.5522
MX 09MX12			0.7500				
MX 10MX08	0.6250	0.7188	0.5000	0.1562	0.6167 ÷ 0.6195	0.7187 ÷ 0.7195	0.6136 ÷ 0.6146
MX 10MX10			0.6250				
MX 10MX12			0.7500				
MX 10MX14			0.8750				
MX 11MX14	0.6875	0.7813	0.8750	0.1562	0.6792 ÷ 0.6820	0.7812 ÷ 0.7820	0.6760 ÷ 0.6770
MX 12MX08	0.7500	0.8750	0.5000	0.1562	0.7412 ÷ 0.7444	0.8750 ÷ 0.8758	0.7378 ÷ 0.7390
MX 12MX12			0.7500				
MX 12MX16			1.0000				
MX 14MX12	0.8750	1.0000	0.7500	0.2500	0.8662 ÷ 0.8694	1.0000 ÷ 1.0008	0.8627 ÷ 0.8639
MX 14MX14			0.8750				
MX 14MX16			1.0000				
MX 16MX12	1.0000	1.1250	0.7500	0.2500	0.9912 ÷ 0.9944	1.1250 ÷ 1.1258	0.9876 ÷ 0.9888
MX 16MX16			1.0000				
MX 16MX24			1.5000				
MX 18MX12			1.1250				
MX 18MX16	1.0000						
MX 20MX12	1.2500	1.4063	0.7500	0.2500	1.2414 ÷ 1.2452	1.4062 ÷ 1.4072	1.2371 ÷ 1.2387
MX 20MX16			1.0000				
MX 20MX20			1.2500				
MX 20MX28			1.7500				
MX 22MX16	1.3750	1.5313	1.0000	0.2500	1.3664 ÷ 1.3702	1.5312 ÷ 1.5322	1.3619 ÷ 1.3635
MX 22MX22			1.3750				
MX 22MX24			1.5000				
MX 22MX28			1.7500				
MX 24MX16	1.5000	1.6563	1.0000	0.3125	1.4914 ÷ 1.4952	1.6562 ÷ 1.6572	1.4868 ÷ 1.4884
MX 24MX20			1.2500				
MX 24MX24			1.5000				
MX 24MX32			2.0000				
MX 26MX16	1.6250	1.7813	1.0000	0.3125	1.6164 ÷ 1.6202	1.7812 ÷ 1.7822	1.6117 ÷ 1.6133
MX 26MX20			1.2500				
MX 26MX24			1.5000				
MX 26MX32			2.0000				

# MX

# PRE-LUBRICATED BEARINGS

INCH SIZES U.K.

Part Number	D1	D2	H	D6	D1 (After As.bly)	Dg (Housing Recom.)	d (Shaft Recommended)
MX 28MX16	1.7500	1.9375	1.0000	0.3125	1.7415 ÷ 1.7461	1.9375 ÷ 1.9385	1.7367 ÷ 1.7383
MX 28MX24			1.5000				
MX 28MX28			1.7500				
MX 28MX32			2.0000				
MX 30MX16	1.8750	2.0625	1.0000	0.3125	1.8665 ÷ 1.8713	2.0625 ÷ 2.0637	1.8616 ÷ 1.8632
MX 30MX24			1.5000				
MX 30MX30			1.8750				
MX 30MX32			2.0000				
MX 30MX36			2.2500				
MX 32MX16	2.0000	2.1875	1.0000	0.3125	1.9915 ÷ 1.9963	2.1875 ÷ 2.1887	1.9863 ÷ 1.9881
MX 32MX24			1.5000				
MX 32MX32			2.0000				
MX 32MX40			2.5000				
MX 36MX32	2.2500	2.4375	2.0000	0.3125	2.2415 ÷ 2.2463	2.4375 ÷ 2.4387	2.2360 ÷ 2.2378
MX 36MX36			2.2500				
MX 36MX40			2.5000				
MX 40MX24	2.5000	2.6875	1.5000	0.3125	2.4915 ÷ 2.4963	2.6875 ÷ 2.6887	2.4857 ÷ 2.4875
MX 40MX32			2.0000				
MX 40MX40			2.5000				
MX 44MX32	2.7500	2.9375	2.0000	0.3125	2.7393 ÷ 2.7457	2.9375 ÷ 2.9387	2.7333 ÷ 2.7351
MX 44MX40			2.5000				
MX 44MX48			3.0000				
MX 44MX56			3.5000				
MX 48MX24	3.0000	3.1875	1.5000	0.3750	2.9893 ÷ 2.9959	3.1875 ÷ 3.1889	2.9831 ÷ 2.9849
MX 48MX32			2.0000				
MX 48MX40			2.5000				
MX 48MX48			3.0000				
MX 48MX60			3.7500				
MX 56MX40	3.5000	3.6875	2.5000	0.3750	3.4893 ÷ 3.4959	3.6875 ÷ 3.6889	3.4822 ÷ 3.4844
MX 56MX48			3.0000				
MX 56MX60			3.7500				
MX 64MX48	4.0000	4.1875	3.0000	0.3750	3.9893 ÷ 3.9959	4.1875 ÷ 4.1889	3.9817 ÷ 3.9839
MX 64MX60			3.7500				
MX 64MX76			4.7500				

*Chamfers General Tollerances:*

Part Number	Part Number	f1	f2
MX 06MX06	MX 11MX14	0.0078 ÷ 0.0393	0.0039 ÷ 0.0196
MX 12MX08	MX 16MX24	0.0078 ÷ 0.0393	0.0039 ÷ 0.0275
MX 18MX12	MX 26MX32	0.0314 ÷ 0.0629	0.0039 ÷ 0.0275
MX 28MX16	MX 64MX76	0.0472 ÷ 0.0944	0.0078 ÷ 0.0393

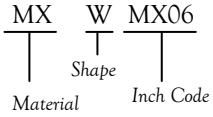
**MX**

**PRE-LUBRICATED THRUST WASHERS**

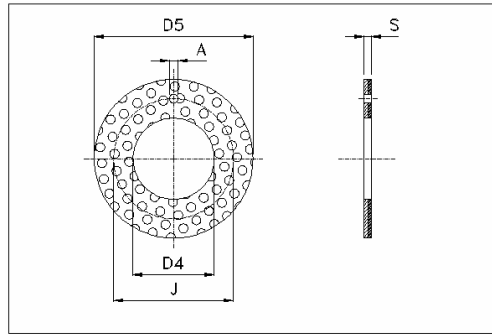
**INCH SIZES**

Thrust Washers

Part Number Structure:



General Tollerances:  
 I.D. (D4) = +0.010  
 O.D. (D5) = -0.010



Available from stock

Part Number	D4	D5	S	J	A
MX W MX06	0.500	0.875	0.0625 ÷ 0.0660	0.682 ÷ 0.692	0.067 ÷ 0.077
MX W MX07	0.562	1.000	0.0625 ÷ 0.0660	0.776 ÷ 0.786	0.067 ÷ 0.077
MX W MX08	0.625	1.125	0.0625 ÷ 0.0660	0.870 ÷ 0.880	0.099 ÷ 1.109
MX W MX09	0.687	1.187	0.0625 ÷ 0.0660	0.932 ÷ 0.942	0.099 ÷ 1.109
MX W MX10	0.750	1.250	0.0625 ÷ 0.0660	0.995 ÷ 1.005	0.099 ÷ 1.109
MX W MX11	0.812	1.375	0.0625 ÷ 0.0660	1.089 ÷ 1.099	0.099 ÷ 1.109
MX W MX12	0.875	1.500	0.0625 ÷ 0.0660	1.182 ÷ 1.192	0.130 ÷ 0.140
MX W MX14	1.000	1.750	0.0625 ÷ 0.0660	1.370 ÷ 1.380	0.130 ÷ 0.140
MX W MX16	1.125	2.000	0.0625 ÷ 0.0660	1.557 ÷ 1.567	0.161 ÷ 0.171
MX W MX18	1.250	2.125	0.0625 ÷ 0.0660	1.682 ÷ 1.692	0.161 ÷ 0.171
MX W MX20	1.375	2.250	0.0625 ÷ 0.0660	1.807 ÷ 1.817	0.161 ÷ 0.171
MX W MX22	1.500	2.500	0.0625 ÷ 0.0660	1.995 ÷ 2.005	0.192 ÷ 0.202
MX W MX24	1.625	2.625	0.0625 ÷ 0.0660	2.120 ÷ 2.130	0.192 ÷ 0.202
MX W MX26	1.750	2.750	0.0625 ÷ 0.0660	2.245 ÷ 2.255	0.192 ÷ 0.202
MX W MX28	2.000	3.000	0.0935 ÷ 0.0970	2.495 ÷ 2.505	0.192 ÷ 0.202
MX W MX30	2.125	3.125	0.0935 ÷ 0.0970	2.620 ÷ 2.630	0.192 ÷ 0.202
MX W MX32	2.250	3.250	0.0935 ÷ 0.0970	2.745 ÷ 2.755	0.192 ÷ 0.202