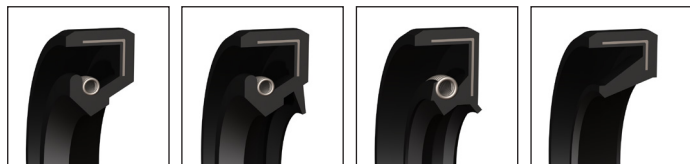
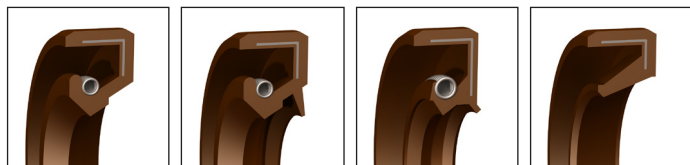


MATERIAL NBR

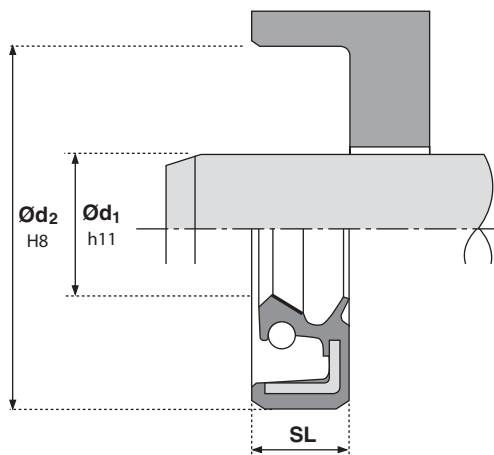


A (SC) AS (TC) ASP (TCN) AUF

MATERIAL FPM



A (SC) AS (TC) ASP (TCN) AUF



Artnr	Typ	d1	d2	SL	Mtr	Artnr	Typ	d1	d2	SL	Mtr	Artnr	Typ	d1	d2	SL	Mtr
2201590	AUF	3	10	6	NBR	2201019	A	11	22	7	NBR	2201037F	A	14	35	7	FPM
2201648	AUF	4	8	2	NBR	2202536	AS	11	22	7	NBR	2201749	AUF	15	21	3	NBR
2200060	AUF	5	9	2	NBR	2201019F	A	11	22	7	FPM	2200008	AUF	15	21	4	NBR
2201828	AUF	6	10	2	NBR	2201020	A	11	26	7	NBR	2200151	AUF	15	23	3	NBR
2202357	AS	6	16	7	NBR	2202728	AS	11	26	7	NBR	2202764	ASP	15	24	7	NBR
2201003F	A	6	16	7	FPM	2201020F	A	11	26	7	FPM	2200167	AUF	15	25	3	NBR
2203619	AUF	6	19	3	NBR	2202728F	AS	11	26	7	FPM	2201546	AUF	15	25	4	NBR
2201004	A	6	22	7	NBR	2200371	AUF	11	26	7	NBR	2202963	ASP	15	25	7	NBR
2202359	AS	6	22	7	NBR	2201576	AUF	12	16	3	NBR	2201040	A	15	26	7	NBR
2201004F	A	6	22	7	FPM	2201576F	AUF	12	16	3	FPM	2202123	AS	15	26	7	NBR
2200366	AUF	7	12	5	NBR	2201623	AUF	12	18	3	NBR	2201040F	A	15	26	7	FPM
2203923	AUF	7	14	2	NBR	2201840	AUF	12	19	3	NBR	2202123F	AS	15	26	7	FPM
2201005F	A	7	16	7	FPM	2202395	ASP	12	22	6	NBR	2201042	A	15	30	7	NBR
2201006	A	7	22	7	NBR	2202395F	ASP	12	22	6	FPM	2202251	AS	15	30	7	NBR
2201704	AUF	8	12	3	NBR	2201021	A	12	22	7	NBR	2201042F	A	15	30	7	FPM
2200061	AUF	8	13	3.5	NBR	2202156	AS	12	22	7	NBR	2202251F	AS	15	30	7	FPM
2201949	AUF	8	15	3	NBR	2201021F	A	12	22	7	FPM	2203695	ASP	15	30	7	NBR
2200368	AUF	8	16	3.5	NBR	2202156F	AS	12	22	7	FPM	2201044	A	15	32	7	NBR
2201009	A	8	22	7	NBR	2201023	A	12	24	7	NBR	2202554	AS	15	32	7	NBR
2202530	AS	8	22	7	NBR	2202001	AS	12	24	7	NBR	2201044F	A	15	32	7	FPM
2201009F	A	8	22	7	FPM	2201023F	A	12	24	7	FPM	2202554F	AS	15	32	7	FPM
2202530F	AS	8	22	7	FPM	2202001F	AS	12	24	7	FPM	2201610	A	15	32	10	NBR
2201010	A	8	24	7	NBR	2201026	A	12	28	7	NBR	2202636	ASP	15	35	6	NBR
2201010F	A	8	24	7	FPM	2202545	AS	12	28	7	NBR	2201045	A	15	35	7	NBR
2201605	AUF	9	13	3	NBR	2201026F	A	12	28	7	FPM	2202481	AS	15	35	7	NBR
2203163	AUF	9	16	3	NBR	2202545F	AS	12	28	7	FPM	2201045F	A	15	35	7	FPM
2202716	ASP	9	20	6	NBR	2202766	ASP	12	28	7	NBR	2202481F	AS	15	35	7	FPM
2201811	A	9	22	7	NBR	2201027	A	12	30	7	NBR	2200016	AUF	16	22	3	NBR
2202531	AS	9	22	7	NBR	2202493	AS	12	30	7	NBR	2201753	AUF	16	22	4	NBR
2201811F	A	9	22	7	FPM	2201027F	A	12	30	7	FPM	2201754	AUF	16	24	3	NBR
2201577	A	9	24	7	NBR	2202765	ASP	12	32	7	NBR	2201614	AUF	16	24	4	NBR
2202532	AS	9	24	7	NBR	2201618	AUF	13	19	3	NBR	2203486	AUF	16	24	7	NBR
2201577F	A	9	24	7	FPM	2200090	AUF	14	18	3	NBR	2200206	AUF	16	25	3	NBR
2201491	A	9	26	7	NBR	2201493	AUF	14	20	3	NBR	2201048	A	16	28	7	NBR
2201491F	A	9	26	7	FPM	2200001	AUF	14	20	5	NBR	2202254	AS	16	28	7	NBR
2201685	AUF	10	14	3	NBR	2200156	AUF	14	21	3	NBR	2201048F	A	16	28	7	FPM
2201664	AUF	10	16	4	NBR	2201903	AUF	14	22	4	NBR	2202254F	AS	16	28	7	FPM
2200216	AUF	10	17	3	NBR	2201031	A	14	24	7	NBR	2202875	ASP	16	28	7	NBR
2202867	ASP	10	20	6	NBR	2202788	AS	14	24	7	NBR	2201049	A	16	30	7	NBR
2200369	AUF	10	22	5	NBR	2201031F	A	14	24	7	FPM	2202307	AS	16	30	7	NBR
2202701	ASP	10	22	6	NBR	2202788F	AS	14	24	7	FPM	2201049F	A	16	30	7	FPM
2201013	A	10	22	7	NBR	2202983	ASP	14	24	7	NBR	2201674	A	16	32	7	NBR
2202313	AS	10	22	7	NBR	2201034	A	14	28	7	NBR	2202268	AS	16	32	7	NBR
2201013F	A	10	22	7	FPM	2202401	AS	14	28	7	NBR	2201674F	A	16	32	7	FPM
2201015	A	10	24	7	NBR	2201034F	A	14	28	7	FPM	2202268F	AS	16	32	7	FPM
2202534	AS	10	24	7	NBR	2202401F	AS	14	28	7	FPM	2201051	A	16	35	7	NBR
2201015F	A	10	24	7	FPM	2201035	A	14	30	7	NBR	2202729	AS	16	35	7	NBR
2200370	AUF	10	26	4	NBR	2202549	AS	14	30	7	NBR	2201051F	A	16	35	7	FPM
2201016	A	10	26	7	NBR	2201035F	A	14	30	7	FPM	2202729F	AS	16	35	7	FPM
2202535	AS	10	26	7	NBR	2201037	A	14	35	7	NBR	2201632	AUF	17	23	3	NBR
2201016F	A	10	26	7	FPM	2202827	AS	14	35	7	NBR	2201632F	AUF	17	23	3	FPM

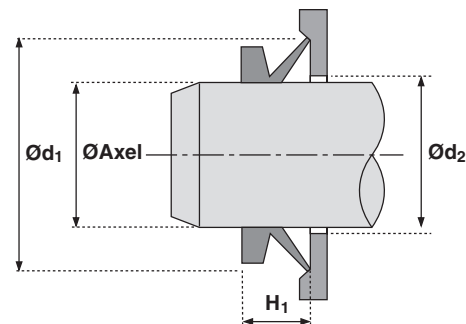
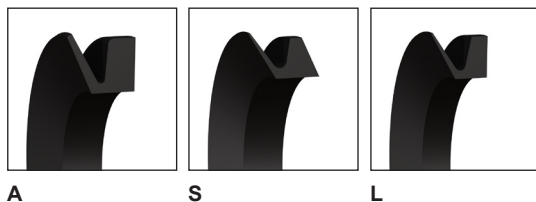
Artnr	Typ	d1	d2	SL	Mtr	Artnr	Typ	d1	d2	SL	Mtr	Artnr	Typ	d1	d2	SL	Mtr
2200168	AUF	17	24	4	NBR	2202004F	AS	20	35	7	FPM	2203731	ASP	25	45	11	NBR
2201951	AUF	17	25	3	NBR	2201075	A	20	40	7	NBR	2200375	AUF	25	47	5	NBR
2201052	A	17	28	7	NBR	2202128	AS	20	40	7	NBR	2203563	ASP	25	47	6	NBR
2202309	AS	17	28	7	NBR	2201075F	A	20	40	7	FPM	2201107	A	25	47	7	NBR
2201052F	A	17	28	7	FPM	2202128F	AS	20	40	7	FPM	2202011	AS	25	47	7	NBR
2202309F	AS	17	28	7	FPM	2201079	A	20	47	7	NBR	2201107F	A	25	47	7	FPM
2203555	ASP	17	28	7	NBR	2202233	AS	20	47	7	NBR	2202011F	AS	25	47	7	FPM
2203519	ASP	17	30	6	NBR	2201079F	A	20	47	7	FPM	2201110	A	25	52	7	NBR
2203519F	ASP	17	30	6	FPM	2202233F	AS	20	47	7	FPM	2202040	AS	25	52	7	NBR
2201053	A	17	30	7	NBR	2201563	AUF	22	28	4	NBR	2201110F	A	25	52	7	FPM
2202090	AS	17	30	7	NBR	2203547	AUF	22	29	4	NBR	2202040F	AS	25	52	7	FPM
2201053F	A	17	30	7	FPM	2203591	AUF	22	30	4	NBR	2203536	ASP	25	52	7	NBR
2202090F	AS	17	30	7	FPM	2202676	ASP	22	32	6	NBR	2201728	AU	26	34	4	NBR
2201054	A	17	32	7	NBR	2201083	A	22	32	7	NBR	2201114	A	26	37	7	NBR
2202311	AS	17	32	7	NBR	2202276	AS	22	32	7	NBR	2202598	AS	26	37	7	NBR
2201054F	A	17	32	7	FPM	2201083F	A	22	32	7	FPM	2201114F	A	26	37	7	FPM
2202311F	AS	17	32	7	FPM	2202276F	AS	22	32	7	FPM	2202598F	AS	26	37	7	FPM
2201055	A	17	35	7	NBR	2202297F	ASP	22	35	6	FPM	2201115	A	26	42	7	NBR
2202341	AS	17	35	7	NBR	2201084	A	22	35	7	NBR	2202793	AS	26	42	7	NBR
2201055F	A	17	35	7	FPM	2202121	AS	22	35	7	NBR	2201115F	A	26	42	7	FPM
2202341F	AS	17	35	7	FPM	2201084F	A	22	35	7	FPM	2202793F	AS	26	42	7	FPM
2203537	ASP	17	35	7	NBR	2202121F	AS	22	35	7	FPM	2201692	A	26	47	7	NBR
2201057	A	17	40	7	NBR	2203765	ASP	22	35	7	NBR	2202012	AS	26	47	7	NBR
2202345	AS	17	40	7	NBR	2202672	ASP	22	38	9	NBR	2201692F	A	26	47	7	FPM
2201057F	A	17	40	7	FPM	2201085	A	22	40	7	NBR	2202012F	AS	26	47	7	FPM
2202345F	AS	17	40	7	FPM	2202119	AS	22	40	7	NBR	2200376	AUF	27	40	7	NBR
2201621	AUF	18	24	3	NBR	2201085F	A	22	40	7	FPM	2203694	AUF	28	34	4	NBR
2201847	AUF	18	24	4	NBR	2202119F	AS	22	40	7	FPM	2201769	AUF	28	35	4	NBR
2201757	AUF	18	26	4	NBR	2201088	A	22	47	7	NBR	2200137	AUF	28	37	4	NBR
2203692	ASP	18	30	6	NBR	2202829	AS	22	47	7	NBR	2201121	A	28	40	7	NBR
2203692F	ASP	18	30	6	FPM	2201088F	A	22	47	7	FPM	2202014	AS	28	40	7	NBR
2201062	A	18	30	7	NBR	2201934	AUF	24	32	4	NBR	2201121F	A	28	40	7	FPM
2202257	AS	18	30	7	NBR	2203637	ASP	24	33	5	NBR	2202014F	AS	28	40	7	FPM
2201062F	A	18	30	7	FPM	2201091	A	24	35	7	NBR	2202967	ASP	28	40	7	NBR
2202257F	AS	18	30	7	FPM	2202790	AS	24	35	7	NBR	2202653	ASP	28	40	8	NBR
2202925	ASP	18	30	7	NBR	2201091F	A	24	35	7	FPM	2202972	ASP	28	42	6	NBR
2201063	A	18	32	7	NBR	2202790F	AS	24	35	7	FPM	2201123	A	28	47	7	NBR
2202494	AS	18	32	7	NBR	2201092	A	24	37	7	NBR	2202016	AS	28	47	7	NBR
2201063F	A	18	32	7	FPM	2202791	AS	24	37	7	NBR	2201123F	A	28	47	7	FPM
2202494F	AS	18	32	7	FPM	2201092F	A	24	37	7	FPM	2202016F	AS	28	47	7	FPM
2202258	ASP	18	35	6	NBR	2202791F	AS	24	37	7	FPM	2202019	ASP	28	47	7	NBR
2202258F	ASP	18	35	6	FPM	2201093	A	24	40	7	NBR	2201619	A	28	52	7	NBR
2201065	A	18	35	7	NBR	2202608	AS	24	40	7	NBR	2202017	AS	28	52	7	NBR
2202576	AS	18	35	7	NBR	2201093F	A	24	40	7	FPM	2201619F	A	28	52	7	FPM
2201065F	A	18	35	7	FPM	2202608F	AS	24	40	7	FPM	2202017F	AS	28	52	7	FPM
2202576F	AS	18	35	7	FPM	2202646	ASP	24	40	7	NBR	2200129	AUF	29	38	4	NBR
2201568	A	18	40	7	NBR	2201502	A	24	47	7	NBR	2201591	AUF	30	37	4	NBR
2202828	AS	18	40	7	NBR	2202351	AS	24	47	7	NBR	2201591F	AUF	30	37	4	FPM
2201568F	A	18	40	7	FPM	2201502F	A	24	47	7	FPM	2201678	AUF	30	40	4	NBR
2201720	AUF	19	27	4	NBR	2201765F	AUF	25	32	4	FPM	2201128	A	30	40	7	NBR
2203464	AUF	20	24	2.5	NBR	2203466	AUF	25	33	4	NBR	2202107	AS	30	40	7	NBR
2201710	AUF	20	26	4	NBR	2200218	AUF	25	35	4	NBR	2201128F	A	30	40	7	FPM
2201617	AUF	20	28	4	NBR	2202277	ASP	25	35	6	NBR	2202107F	AS	30	40	7	FPM
2202767	ASP	20	30	5	NBR	2202277F	ASP	25	35	6	FPM	2203565	ASP	30	40	7	NBR
2201071	A	20	30	7	NBR	2201096	A	25	35	7	NBR	2202266	ASP	30	42	6	NBR
2202288	AS	20	30	7	NBR	2202124	AS	25	35	7	NBR	2201129	A	30	42	7	NBR
2201071F	A	20	30	7	FPM	2201096F	A	25	35	7	FPM	2202148	AS	30	42	7	NBR
2202288F	AS	20	30	7	FPM	2202124F	AS	25	35	7	FPM	2201129F	A	30	42	7	FPM
2206068	ASP	20	30	7	NBR	2202977	ASP	25	36	6	NBR	2202148F	AS	30	42	7	FPM
2201072	A	20	32	7	NBR	2203743	ASP	25	37	6	NBR	2202697	ASP	30	45	7	NBR
2202157	AS	20	32	7	NBR	2201100	A	25	40	7	NBR	2201133	A	30	47	7	NBR
2201072F	A	20	32	7	FPM	2202008	AS	25	40	7	NBR	2202088	AS	30	47	7	NBR
2202157F	AS	20	32	7	FPM	2201100F	A	25	40	7	FPM	2201133F	A	30	47	7	FPM
2202751	ASP	20	32	7	NBR	2202008F	AS	25	40	7	FPM	2202088F	AS	30	47	7	FPM
2201657	AUF	20	35	5	NBR	2202696	ASP	25	40	7	NBR	2202694	ASP	30	47	7	NBR
2202243	ASP	20	35	6	NBR	2202673	ASP	25	42	6	NBR	2202095	AS	30	47	8	NBR
2202243F	ASP	20	35	6	FPM	2201103	A	25	42	7	NBR	2202914	ASP	30	50	7	NBR
2201073	A	20	35	7	NBR	2202312	AS	25	42	7	NBR	2200378	AUF	30	50	12	NBR
2202004	AS	20	35	7	NBR	2201103F	A	25	42	7	FPM	2200379	AUF	30	52	5	NBR
2201073F	A	20	35	7	FPM	2202312F	AS	25	42	7	FPM	2201137	A	30	52	7	NBR

Artnr	Typ	d1	d2	SL	Mtr	Artnr	Typ	d1	d2	SL	Mtr	Artnr	Typ	d1	d2	SL	Mtr
2202120	AS	30	52	7	NBR	2201196F	A	38	52	7	FPM	2202353F	AS	45	72	8	FPM
2201137F	A	30	52	7	FPM	2202029F	AS	38	52	7	FPM	2200380	AUF	45	85	6	NBR
2202120F	AS	30	52	7	FPM	2201561	A	38	55	7	NBR	2201259	A	48	62	8	NBR
2202659	ASP	30	52	7	NBR	2202303	AS	38	55	7	NBR	2202346	AS	48	62	8	NBR
2201143	A	30	62	7	NBR	2201561F	A	38	55	7	FPM	2201259F	A	48	62	8	FPM
2202021	AS	30	62	7	NBR	2202303F	AS	38	55	7	FPM	2202346F	AS	48	62	8	FPM
2201143F	A	30	62	7	FPM	2201203	A	38	62	7	NBR	2201262	A	48	72	8	NBR
2202021F	AS	30	62	7	FPM	2202624	AS	38	62	7	NBR	2202805	AS	48	72	8	NBR
2200220	AUF	32	40	5	NBR	2201203F	A	38	62	7	FPM	2201262F	A	48	72	8	FPM
2201775	AUF	32	42	4	NBR	2202624F	AS	38	62	7	FPM	2202805F	AS	48	72	8	FPM
2200163	AUF	32	45	4	NBR	2201963	AUF	40	47	4	NBR	2201620	AUF	50	58	4	NBR
2201148	A	32	45	7	NBR	2202272	AUF	40	50	4	NBR	2203725	AUF	50	60	4	NBR
2202022	AS	32	45	7	NBR	2201616	AUF	40	52	5	NBR	2201793	AUF	50	62	5	NBR
2201148F	A	32	45	7	FPM	2201206	A	40	52	7	NBR	2203747F	ASP	50	65	7	FPM
2202674	ASP	32	47	6	NBR	2202031	AS	40	52	7	NBR	2201267	A	50	65	8	NBR
2202674F	ASP	32	47	6	FPM	2201206F	A	40	52	7	FPM	2202061	AS	50	65	8	NBR
2201149	A	32	47	7	NBR	2202031F	AS	40	52	7	FPM	2201267F	A	50	65	8	FPM
2202150	AS	32	47	7	NBR	2202760	ASP	40	52	7	NBR	2202061F	AS	50	65	8	FPM
2201149F	A	32	47	7	FPM	2201208	A	40	55	7	NBR	2202970	ASP	50	65	8	NBR
2202150F	AS	32	47	7	FPM	2202100	AS	40	55	7	NBR	2201269	A	50	68	8	NBR
2201152	A	32	52	7	NBR	2201208F	A	40	55	7	FPM	2202248	AS	50	68	8	NBR
2202323	AS	32	52	7	NBR	2202100F	AS	40	55	7	FPM	2201269F	A	50	68	8	FPM
2201152F	A	32	52	7	FPM	2202750	ASP	40	55	7	NBR	2202248F	AS	50	68	8	FPM
2201777	AUF	35	42	4	NBR	2202750F	ASP	40	55	7	FPM	2202682	ASP	50	68	8	NBR
2200092	AUF	35	45	4	NBR	2208012	ASP	40	56	6	NBR	2202516	ASP	50	72	7	NBR
2202776	ASP	35	47	6	NBR	2202102	ASP	40	62	6	NBR	2202516F	ASP	50	72	7	FPM
2201162	A	35	47	7	NBR	2202102F	ASP	40	62	6	FPM	2201272	A	50	72	8	NBR
2202024	AS	35	47	7	NBR	2201216	A	40	62	7	NBR	2202042	AS	50	72	8	NBR
2201162F	A	35	47	7	FPM	2202325	AS	40	62	7	NBR	2201272F	A	50	72	8	FPM
2202024F	AS	35	47	7	FPM	2201216F	A	40	62	7	FPM	2202042F	AS	50	72	8	FPM
2200002	AUF	35	50	5	NBR	2202325F	AS	40	62	7	FPM	2201276	A	50	80	8	NBR
2201165	A	35	50	7	NBR	2201221	A	40	72	7	NBR	2202137	AS	50	80	8	NBR
2202314	AS	35	50	7	NBR	2202799	AS	40	72	7	NBR	2201276F	A	50	80	8	FPM
2201165F	A	35	50	7	FPM	2201221F	A	40	72	7	FPM	2202137F	AS	50	80	8	FPM
2202314F	AS	35	50	7	FPM	2202799F	AS	40	72	7	FPM	2201280	A	52	68	8	NBR
2202822	ASP	35	50	7	NBR	2201724	AUF	42	52	4	NBR	2202369	AS	52	68	8	NBR
2202298	ASP	35	52	6	NBR	2201227	A	42	55	8	NBR	2201280F	A	52	68	8	FPM
2202298F	ASP	35	52	6	FPM	2202800	AS	42	55	8	NBR	2202369F	AS	52	68	8	FPM
2201167	A	35	52	7	NBR	2201227F	A	42	55	8	FPM	2201281	A	52	72	8	NBR
2202340	AS	35	52	7	NBR	2202800F	AS	42	55	8	FPM	2202742	AS	52	72	8	NBR
2201167F	A	35	52	7	FPM	2201232	A	42	62	8	NBR	2201281F	A	52	72	8	FPM
2202340F	AS	35	52	7	FPM	2202305	AS	42	62	8	NBR	2202742F	AS	52	72	8	FPM
2201180	A	35	62	7	NBR	2201236	A	42	72	8	NBR	2200405	AUF	55	63	5	NBR
2202028	AS	35	62	7	NBR	2202803	AS	42	72	8	NBR	2202948F	AUF	55	66	8	FPM
2201180F	A	35	62	7	FPM	2201236F	A	42	72	8	FPM	2202985	ASP	55	68	7	NBR
2202028F	AS	35	62	7	FPM	2202803F	AS	42	72	8	FPM	2201286	A	55	70	8	NBR
2202999	ASP	35	62	7	NBR	2200091	AUF	43	53	4	NBR	2202247	AS	55	70	8	NBR
2201928	AUF	36	44	5	NBR	2201831	AUF	45	52	4	NBR	2201286F	A	55	70	8	FPM
2201185	A	36	47	7	NBR	2201836	AUF	45	55	4	NBR	2202247F	AS	55	70	8	FPM
2202348	AS	36	47	7	NBR	2202773	ASP	45	58	6	NBR	2202854	ASP	55	70	8	NBR
2201185F	A	36	47	7	FPM	2202779	ASP	45	58	7	NBR	2202854F	ASP	55	70	8	FPM
2202348F	AS	36	47	7	FPM	2200150	AUF	45	60	6	NBR	2202620	ASP	55	72	7	NBR
2201187	A	36	50	7	NBR	2201241	A	45	60	8	NBR	2202620F	ASP	55	72	7	FPM
2202740	AS	36	50	7	NBR	2202145	AS	45	60	8	NBR	2201288	A	55	72	8	NBR
2201187F	A	36	50	7	FPM	2201241F	A	45	60	8	FPM	2202091	AS	55	72	8	NBR
2202740F	AS	36	50	7	FPM	2202145F	AS	45	60	8	FPM	2201288F	A	55	72	8	FPM
2201188	A	36	52	7	NBR	2202299	ASP	45	62	7	NBR	2202091F	AS	55	72	8	FPM
2202797	AS	36	52	7	NBR	2202299F	ASP	45	62	7	FPM	2201294	A	55	80	8	NBR
2201188F	A	36	52	7	FPM	2201244	A	45	62	8	NBR	2202807	AS	55	80	8	NBR
2202797F	AS	36	52	7	FPM	2202236	AS	45	62	8	NBR	2201294F	A	55	80	8	FPM
2201191	AS	36	54	11	NBR	2201244F	A	45	62	8	FPM	2202807F	AS	55	80	8	FPM
2201190	A	36	62	7	NBR	2202236F	AS	45	62	8	FPM	2201297	A	55	85	8	NBR
2202830	AS	36	62	7	NBR	2200162	AUF	45	62	8	NBR	2202831	AS	55	85	8	NBR
2201190F	A	36	62	7	FPM	2201247	A	45	65	8	NBR	2201297F	A	55	85	8	FPM
2202830F	AS	36	62	7	FPM	2202068	AS	45	65	8	NBR	2201300	A	56	70	8	NBR
2201663	AUF	37	47	4	NBR	2201247F	A	45	65	8	FPM	2202743	AS	56	70	8	NBR
2201659	AUF	38	48	4	NBR	2202068F	AS	45	65	8	FPM	2201300F	A	56	70	8	FPM
2202947	ASP	38	50	6	NBR	2201251	A	45	72	8	NBR	2202743F	AS	56	70	8	FPM
2201196	A	38	52	7	NBR	2202353	AS	45	72	8	NBR	2201301	A	56	72	8	NBR
2202029	AS	38	52	7	NBR	2201251F	A	45	72	8	FPM	2201301F	A	56	72	8	FPM

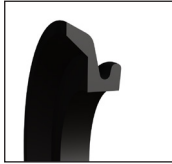
Artnr	Typ	d1	d2	SL	Mtr	Artnr	Typ	d1	d2	SL	Mtr	Artnr	Typ	d1	d2	SL	Mtr
2202392F	AS	56	72	8	FPM	2202497F	AS	65	100	10	FPM	2201381	A	90	120	12	NBR
2200356	AS	56	74	10	NBR	2202943F	ASP	68	80	7	FPM	2202468	AS	90	120	12	NBR
2201302	A	56	80	8	NBR	2201336	A	68	90	10	NBR	2201381F	A	90	120	12	FPM
2202808	AS	56	80	8	NBR	2202054	AS	68	90	10	NBR	2202482	AS	90	120	13	NBR
2201302F	A	56	80	8	FPM	2201336F	A	68	90	10	FPM	2202954	ASP	90	125	12	NBR
2202808F	AS	56	80	8	FPM	2202054F	AS	68	90	10	FPM	2201386	A	95	120	12	NBR
2201303	A	56	85	8	NBR	2201337	A	68	100	10	NBR	2202059	AS	95	120	12	NBR
2202809	AS	56	85	8	NBR	2202645	AS	68	100	10	NBR	2201386F	A	95	120	12	FPM
2201303F	A	56	85	8	FPM	2201337F	A	68	100	10	FPM	2202059F	AS	95	120	12	FPM
2202809F	AS	56	85	8	FPM	2202645F	AS	68	100	10	FPM	2202879	ASP	95	120	12	NBR
2201304	A	58	72	8	NBR	2200209	AUF	70	78	5	NBR	2201388	A	95	125	12	NBR
2202687	AS	58	72	8	NBR	2202609F	ASP	70	90	7	FPM	2202652	AS	95	125	12	NBR
2201304F	A	58	72	8	FPM	2202609	ASP	70	90	7	NBR	2201388F	A	95	125	12	FPM
2202687F	AS	58	72	8	FPM	2201339	A	70	90	10	NBR	2202652F	AS	95	125	12	FPM
2201305	A	58	80	8	NBR	2202055	AS	70	90	10	NBR	2202519	ASP	100	120	7.5	NBR
2202584	AS	58	80	8	NBR	2201339F	A	70	90	10	FPM	2202519F	ASP	100	120	7.5	FPM
2201305F	A	58	80	8	FPM	2202055F	AS	70	90	10	FPM	2201392	A	100	120	12	NBR
2202584F	AS	58	80	8	FPM	2201342	A	70	100	10	NBR	2202273	AS	100	120	12	NBR
2201309	A	60	75	8	NBR	2202224	AS	70	100	10	NBR	2201392F	A	100	120	12	FPM
2202049	AS	60	75	8	NBR	2201342F	A	70	100	10	FPM	2202273F	AS	100	120	12	FPM
2201309F	A	60	75	8	FPM	2202224F	AS	70	100	10	FPM	2201393	A	100	120	13	NBR
2202049F	AS	60	75	8	FPM	2201345	A	72	95	10	NBR	2201394	A	100	125	12	NBR
2202986	ASP	60	75	8	NBR	2201345F	A	72	95	10	FPM	2202655	AS	100	125	12	NBR
2202096	ASP	60	80	7	NBR	2201346	A	72	100	10	NBR	2201394F	A	100	125	12	FPM
2202096F	ASP	60	80	7	FPM	2202745	AS	72	100	10	NBR	2202655F	AS	100	125	12	FPM
2201312	A	60	80	8	NBR	2201346F	A	72	100	10	FPM	2201396	A	100	130	12	NBR
2202744	AS	60	80	8	NBR	2202745F	AS	72	100	10	FPM	2202083	AS	100	130	12	NBR
2201312F	A	60	80	8	FPM	2202755	ASP	75	90	10	NBR	2201396F	A	100	130	12	FPM
2202744F	AS	60	80	8	FPM	2202265	ASP	75	95	7	NBR	2202083F	AS	100	130	12	FPM
2201314	A	60	85	8	NBR	2201350	A	75	95	10	NBR	2202690	ASP	105	130	7.5	NBR
2202217	AS	60	85	8	NBR	2202626	AS	75	95	10	NBR	2201400	A	105	130	12	NBR
2201314F	A	60	85	8	FPM	2202626F	AS	75	95	10	FPM	2202394	AS	105	130	12	NBR
2202217F	AS	60	85	8	FPM	2203513	ASP	75	95	10	NBR	2201400F	A	105	130	12	FPM
2202705	ASP	60	85	8	NBR	2201352	A	75	100	10	NBR	2202394F	AS	105	130	12	FPM
2201316	A	60	90	8	NBR	2202296	AS	75	100	10	NBR	2201403	A	105	140	12	NBR
2202339	AS	60	90	8	NBR	2201352F	A	75	100	10	FPM	2202318	AS	105	140	12	NBR
2201316F	A	60	90	8	FPM	2202512F	AS	75	100	10	FPM	2201403F	A	105	140	12	FPM
2202339F	AS	60	90	8	FPM	2201357	A	78	100	10	NBR	2202318F	AS	105	140	12	FPM
2202602	ASP	62	85	7	NBR	2202691	AS	78	100	10	NBR	2201405	A	110	130	12	NBR
2202602F	ASP	62	85	7	FPM	2201357F	A	78	100	10	FPM	2202122	AS	110	130	12	NBR
2201321	A	62	85	10	NBR	2200126	AUF	80	90	5	NBR	2201405F	A	110	130	12	FPM
2202832	AS	62	85	10	NBR	2203585	AUF	80	95	5	NBR	2202122F	AS	110	130	12	FPM
2201321F	A	62	85	10	FPM	2202286	ASP	80	100	7	NBR	2203659	ASP	110	130	12	NBR
2201322	A	62	90	10	NBR	2202286F	ASP	80	100	7	FPM	2201408	A	110	140	12	NBR
2202714	AS	62	90	10	NBR	2201359	A	80	100	10	NBR	2202503	AS	110	140	12	NBR
2201322F	A	62	90	10	FPM	2202093	AS	80	100	10	NBR	2201408F	A	110	140	12	FPM
2202714F	AS	62	90	10	FPM	2201359F	A	80	100	10	FPM	2202503F	AS	110	140	12	FPM
2201324	A	63	85	10	NBR	2202093F	AS	80	100	10	FPM	2201410	AS	110	140	15	NBR
2202810	AS	63	85	10	NBR	2201364	A	80	110	10	NBR	2201414	A	115	140	12	NBR
2201324F	A	63	85	10	FPM	2202417	AS	80	110	10	NBR	2202218	AS	115	140	12	NBR
2202810F	AS	63	85	10	FPM	2201364F	A	80	110	10	FPM	2201414F	A	115	140	12	FPM
2201325	A	63	90	10	NBR	2202417F	AS	80	110	10	FPM	2202218F	AS	115	140	12	FPM
2202585	AS	63	90	10	NBR	2203716	ASP	85	105	7.5	NBR	2201416	A	115	150	12	NBR
2201325F	A	63	90	10	FPM	2202774	ASP	85	105	12	NBR	2202424	AS	115	150	12	NBR
2202585F	AS	63	90	10	FPM	2201371	A	85	110	12	NBR	2201416F	A	115	150	12	FPM
2203652	ASP	65	80	7	NBR	2202060	AS	85	110	12	NBR	2202424F	AS	115	150	12	FPM
2202815	ASP	65	85	8	NBR	2201371F	A	85	110	12	FPM	2202878	ASP	120	140	7.5	NBR
2201330	A	65	85	10	NBR	2202060F	AS	85	110	12	FPM	2203941	ASP	120	140	10	NBR
2202051	AS	65	85	10	NBR	2203698	ASP	85	120	7.5	NBR	2203910	ASP	120	140	13	NBR
2201330F	A	65	85	10	FPM	2201374	A	85	120	12	NBR	2202853F	AS	120	150	10	FPM
2202051F	AS	65	85	10	FPM	2202833	AS	85	120	12	NBR	2201419	A	120	150	12	NBR
2203677	ASP	65	85	10	NBR	2201374F	A	85	120	12	FPM	2202125	AS	120	150	12	NBR
2201331	A	65	90	10	NBR	2202833F	AS	85	120	12	FPM	2201419F	A	120	150	12	FPM
2202053	AS	65	90	10	NBR	2202473	ASP	90	110	7.5	NBR	2202125F	AS	120	150	12	FPM
2201331F	A	65	90	10	FPM	2202473F	ASP	90	110	7.5	FPM	2203744	ASP	120	150	12	NBR
2202053F	AS	65	90	10	FPM	2201378	A	90	110	12	NBR	2203124	ASP	120	150	15	NBR
2203673	ASP	65	90	10	NBR	2202220	AS	90	110	12	NBR	2201421	A	120	160	12	NBR
2201334	A	65	100	10	NBR	2201378F	A	90	110	12	FPM	2202406	AS	120	160	12	NBR
2202497	AS	65	100	10	NBR	2202220F	AS	90	110	12	FPM	2201421F	A	120	160	12	FPM
2201334F	A	65	100	10	FPM	2202926	ASP	90	110	12	NBR	2202406F	AS	120	160	12	FPM

Artnr	Typ	d1	d2	SL	Mtr
2201424	A	125	150	12	NBR
2202219	AS	125	150	12	NBR
2201424F	A	125	150	12	FPM
2202219F	AS	125	150	12	FPM
2201425	A	125	160	12	NBR
2202812	AS	125	160	12	NBR
2201425F	A	125	160	12	FPM
2202812F	AS	125	160	12	FPM
2201427	A	130	160	12	NBR
2202538	AS	130	160	12	NBR
2201427F	A	130	160	12	FPM
2202538F	AS	130	160	12	FPM
2202871F	ASP	130	160	12	FPM
2202871	ASP	130	160	12	NBR
2201430	A	130	170	12	NBR
2202747	AS	130	170	12	NBR
2201430F	A	130	170	12	FPM
2202747F	AS	130	170	12	FPM
2201434	A	135	170	12	NBR
2202253	AS	135	170	12	NBR
2201434F	A	135	170	12	FPM
2203717	ASP	140	160	10	NBR
2201437	A	140	170	15	NBR
2202085	AS	140	170	15	NBR
2201437F	A	140	170	15	FPM
2202085F	AS	140	170	15	FPM
2201443	A	145	175	15	NBR
2202813	AS	145	175	15	NBR
2201443F	A	145	175	15	FPM
2202813F	AS	145	175	15	FPM
2203647	ASP	150	180	8.5	NBR
2201449	A	150	180	15	NBR
2202244	AS	150	180	15	NBR
2201449F	A	150	180	15	FPM
2202244F	AS	150	180	15	FPM
2203783	ASP	160	185	8.5	NBR
2201454	A	160	190	15	NBR
2202114	AS	160	190	15	NBR
2201454F	A	160	190	15	FPM
2202114F	AS	160	190	15	FPM
2201460	A	170	200	15	NBR
2202622	AS	170	200	15	NBR
2201460F	A	170	200	15	FPM
2202622F	AS	170	200	15	FPM
2202784	ASP	170	200	15	NBR
2201465	A	180	210	15	NBR
2202526	AS	180	210	15	NBR
2201465F	A	180	210	15	FPM
2202526F	AS	180	210	15	FPM
2201470	A	190	220	15	NBR
2202087	AS	190	220	15	NBR
2201470F	A	190	220	15	FPM
2201473	A	200	230	15	NBR
2202607	AS	200	230	15	NBR
2201473F	A	200	230	15	FPM
2202607F	AS	200	230	15	FPM
2203921	A	200	240	15	NBR
2201475	A	210	240	15	NBR
2202677	AS	210	240	15	NBR
2201475F	A	210	240	15	FPM
2202677F	AS	210	240	15	FPM
2201477	A	220	250	15	NBR
2202588	AS	220	250	15	NBR
2201477F	A	220	250	15	FPM
2202588F	AS	220	250	15	FPM
2201478	A	230	260	15	NBR
2202561	AS	230	260	15	NBR
2201478F	A	230	260	15	FPM
2202561F	AS	230	260	15	FPM
2201479	A	240	270	15	NBR

Artnr	Typ	d1	d2	SL	Mtr
2202686	AS	240	270	15	NBR
2201479F	A	240	270	15	FPM
2202686F	AS	240	270	15	FPM
2201480	A	250	280	15	NBR
2201480F	A	250	280	15	FPM
2201481	A	260	300	20	NBR
2201481F	A	260	300	20	FPM
2201482	A	280	320	20	NBR
2201482F	A	280	320	20	FPM
2202998F	AS	280	320	20	FPM
2202834	AS	300	340	20	NBR
2200191F	A	300	340	20	FPM
2201485	A	320	350	15	NBR
2201483	A	320	360	20	NBR
2201483F	A	320	360	20	FPM
2201486	A	380	420	20	NBR
2202835	AS	380	420	20	NBR
2201861	A	400	440	20	NBR
2201487	A	440	480	20	NBR
2202836	AS	440	480	20	NBR
2200192	A	460	500	20	NBR
2202955	AS	460	500	20	NBR
2200196	A	480	520	20	NBR
2200197	A	500	540	20	NBR
2202841	AS	500	540	20	NBR

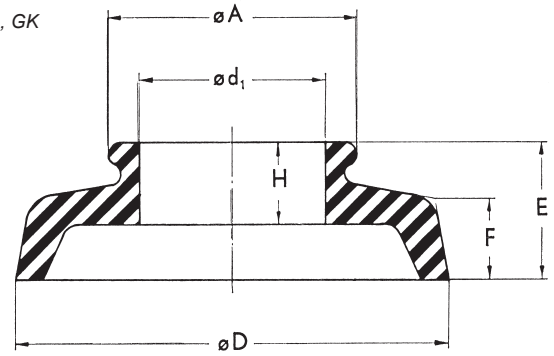


Artnr	Benämning	Från axel	Till axel	d2	d1	H1	Artnr	Benämning	Från axel	Till axel	d2	d1	H1
221003A	V-3 A	2.7	3.5	Axel + 1	Axel + 4	2.5 ± 0.3	221080A	V-80 A	78	83	Axel + 4	Axel + 18	9 ± 1.2
221003S	V-3 S	2.7	3.5	Axel + 1	Axel + 6	3 ± 0.4	221080S	V-80 S	78	83	Axel + 4	Axel + 18	13.5 ± 1.2
221004A	V-4 A	3.5	4.5	Axel + 1	Axel + 6	3 ± 0.4	221085A	V-85 A	83	88	Axel + 4	Axel + 18	9 ± 1.2
221005A	V-5 A	4.5	5.5	Axel + 1	Axel + 6	3 ± 0.4	221085S	V-85 S	83	88	Axel + 4	Axel + 18	13.5 ± 1.2
221005S	V-5 S	4.5	5.5	Axel + 1	Axel + 6	4.5 ± 0.4	221090A	V-90 A	88	93	Axel + 4	Axel + 18	9 ± 1.2
221006A	V-6 A	5.5	6.5	Axel + 1	Axel + 6	3 ± 0.4	221090S	V-90 S	88	93	Axel + 4	Axel + 18	13.5 ± 1.2
221006S	V-6 S	5.5	6.5	Axel + 1	Axel + 6	4.5 ± 0.4	221095A	V-95 A	93	98	Axel + 4	Axel + 18	9 ± 1.2
221007A	V-7 A	6.5	8	Axel + 1	Axel + 6	3 ± 0.4	221095S	V-95 S	93	98	Axel + 4	Axel + 18	13.5 ± 1.2
221007S	V-7 S	6.5	8	Axel + 1	Axel + 6	4.5 ± 0.4	221100A	V-100 A	98	105	Axel + 4	Axel + 18	9 ± 1.2
221008A	V-8 A	8	9.5	Axel + 1	Axel + 6	3 ± 0.4	221100S	V-100 S	98	105	Axel + 4	Axel + 18	13.5 ± 1.2
221008S	V-8 S	8	9.5	Axel + 1	Axel + 6	4.5 ± 0.4	221110A	V-110 A	105	115	Axel + 4	Axel + 21	10.5 ± 1.5
221010A	V-10 A	9.5	11.5	Axel + 2	Axel + 9	4.5 ± 0.6	221110L	V-110 L	105	115	Axel + 5	Axel + 23	8 ± 1.5
221010S	V-10 S	9.5	11.5	Axel + 2	Axel + 9	6.7 ± 0.6	221110S	V-110 S	105	115	Axel + 4	Axel + 21	15.5 ± 1.5
221012A	V-12 A	11.5	12.5	Axel + 2	Axel + 9	4.5 ± 0.6	221120A	V-120 A	115	125	Axel + 4	Axel + 21	10.5 ± 1.5
221012S	V-12 S	11.5	13.5	Axel + 2	Axel + 9	6.7 ± 0.6	221120L	V-120 L	115	125	Axel + 5	Axel + 23	8 ± 1.5
221013A	V-13 A	12.5	13.5	Axel + 2	Axel + 9	4.5 ± 0.6	221120S	V-120 S	115	125	Axel + 4	Axel + 21	15.5 ± 1.5
221014A	V-14 A	13.5	15.5	Axel + 2	Axel + 9	4.5 ± 0.6	221130A	V-130 A	125	135	Axel + 4	Axel + 21	10.5 ± 1.5
221014S	V-14 S	13.5	15.5	Axel + 2	Axel + 9	6.7 ± 0.6	221130L	V-130 L	125	135	Axel + 5	Axel + 23	8 ± 1.5
221016A	V-16 A	15.5	17	Axel + 2	Axel + 9	4.5 ± 0.6	221130S	V-130 S	125	135	Axel + 4	Axel + 21	15.5 ± 1.5
221016S	V-16 S	15.5	17.5	Axel + 2	Axel + 9	6.7 ± 0.6	221140A	V-140 A	135	145	Axel + 4	Axel + 21	10.5 ± 1.5
221017A	V-17 A	16.5	18	Axel + 2	Axel + 9	4.5 ± 0.6	221140L	V-140 L	135	145	Axel + 5	Axel + 23	8 ± 1.5
221018A	V-18 A	17.5	19	Axel + 2	Axel + 9	4.5 ± 0.6	221140S	V-140 S	135	145	Axel + 4	Axel + 21	15.5 ± 1.5
221018S	V-18 S	17.5	19	Axel + 2	Axel + 9	6.7 ± 0.6	221150A	V-150 A	145	155	Axel + 4	Axel + 21	10.5 ± 1.5
221020A	V-20 A	19	21	Axel + 2	Axel + 12	6 ± 0.8	221150L	V-150 L	145	155	Axel + 5	Axel + 23	8 ± 1.5
221020S	V-20 S	19	21	Axel + 2	Axel + 12	9 ± 0.8	221150S	V-150 S	145	155	Axel + 4	Axel + 21	15.5 ± 1.5
221022A	V-22 A	21	24	Axel + 2	Axel + 12	6 ± 0.8	221160A	V-160 A	155	165	Axel + 5	Axel + 24	12 ± 1.8
221022S	V-22 S	21	24	Axel + 2	Axel + 12	9 ± 0.8	221160L	V-160 L	155	165	Axel + 5	Axel + 24	8 ± 1.5
221025A	V-25 A	24	27	Axel + 2	Axel + 12	6 ± 0.8	221160S	V-160 S	155	165	Axel + 5	Axel + 24	18 ± 1.8
221025S	V-25 S	24	27	Axel + 2	Axel + 12	9 ± 0.8	221170A	V-170 A	165	175	Axel + 5	Axel + 24	12 ± 1.8
221028A	V-28 A	27	29	Axel + 3	Axel + 12	6 ± 0.8	221170L	V-170 L	165	175	Axel + 5	Axel + 24	8 ± 1.5
221028S	V-28 S	27	29	Axel + 3	Axel + 12	9 ± 0.8	221170S	V-170 S	165	175	Axel + 5	Axel + 24	18 ± 1.8
221030A	V-30 A	29	31	Axel + 3	Axel + 12	6 ± 0.8	221180A	V-180 A	175	185	Axel + 5	Axel + 24	12 ± 1.8
221030S	V-30 S	29	31	Axel + 3	Axel + 12	9 ± 0.8	221180L	V-180 L	175	185	Axel + 5	Axel + 24	8 ± 1.5
221032A	V-32 A	31	33	Axel + 3	Axel + 12	6 ± 0.8	221180S	V-180 S	175	185	Axel + 5	Axel + 24	18 ± 1.8
221032S	V-32 S	31	33	Axel + 3	Axel + 12	9 ± 0.8	221190A	V-190 A	185	195	Axel + 5	Axel + 24	12 ± 1.8
221035A	V-35 A	33	36	Axel + 3	Axel + 12	6 ± 0.8	221190S	V-190 S	185	195	Axel + 5	Axel + 24	18 ± 1.8
221035S	V-35 S	33	36	Axel + 3	Axel + 12	9 ± 0.8	221199A	V-199 A	195	210	Axel + 5	Axel + 24	12 ± 1.8
221038A	V-38 A	36	38	Axel + 3	Axel + 12	6 ± 0.8	221199S	V-199 S	195	210	Axel + 5	Axel + 24	18 ± 1.8
221038S	V-38 S	36	38	Axel + 3	Axel + 12	9 ± 0.8	221200A	V-200 A	190	210	Axel + 10	Axel + 24	20 ± 4.0
221040A	V-40 A	38	43	Axel + 3	Axel + 15	7 ± 1.0	221200L	V-200 L	195	210	Axel + 5	Axel + 28	8 ± 1.5
221040S	V-40 S	38	43	Axel + 3	Axel + 15	11 ± 1.0	221220A	V-220 A	210	235	Axel + 10	Axel + 45	20 ± 4.0
221045A	V-45 A	43	48	Axel + 3	Axel + 15	7 ± 1.0	221220L	V-220 L	210	233	Axel + 5	Axel + 28	8 ± 1.5
221045S	V-45 S	43	48	Axel + 3	Axel + 15	11 ± 1.0	221250A	V-250 A	235	265	Axel + 10	Axel + 45	20 ± 4.0
221050A	V-50 A	48	53	Axel + 3	Axel + 15	7 ± 1.0	221250L	V-250 L	233	260	Axel + 5	Axel + 28	8 ± 1.5
221050S	V-50 S	48	53	Axel + 3	Axel + 15	11 ± 1.0	221275A	V-275 A	265	290	Axel + 10	Axel + 45	20 ± 4.0
221055A	V-55 A	53	58	Axel + 3	Axel + 15	7 ± 1.0	221275L	V-275 L	260	285	Axel + 5	Axel + 28	8 ± 1.5
221055S	V-55 S	53	58	Axel + 3	Axel + 15	11 ± 1.0	221300A	V-300 A	290	310	Axel + 10	Axel + 45	20 ± 4.0
221060A	V-60 A	58	63	Axel + 3	Axel + 15	7 ± 1.0							
221060S	V-60 S	58	63	Axel + 3	Axel + 15	11 ± 1.0							
221065A	V-65 A	63	68	Axel + 3	Axel + 15	7 ± 1.0							
221065S	V-65 S	63	68	Axel + 3	Axel + 15	11 ± 1.0							
221070A	V-70 A	68	73	Axel + 4	Axel + 18	7 ± 1.0							
221070S	V-70 S	68	73	Axel + 4	Axel + 18	13.5 ± 1.2							
221075A	V-75 A	73	78	Axel + 4	Axel + 18	9 ± 1.2							
221075S	V-75 S	73	78	Axel + 4	Axel + 18	13.5 ± 1.2							



GK

Gummikrage, GK



Stålagerhus typ SN är försedda med tätningar som skall klara normala driftförhållanden. Vid svåra driftförhållanden däremot, där husen utsätts för vatten eller slitande partiklar, kan tätningen förbättras genom att en gummikrage skjuts över axeln fram mot lagerhuset. Gummikragen hindrar då föroreningar att följa axeln in i öppningen mellan denna och lagerhuset fram mot filtätningen. Kragen är försedd med en liten upphöjning på navet för att i möjligaste mån kasta av framträngande föroreningar innan de kommer fram mot öppningen mellan manschett och lagerhus. Gummikragens hål är något mindre än axelns diameter. Den kan utan svårighet krängas över axeln och sitter sedan stadigt för att förbli i rätt läge vid normala hastigheter.

Artnr	Krage nr	d1*)	A	D	E	F	H
2224713	GK - 20	20	30	55	18	9	12
2224714	GK - 25	25	35	65	20	11.5	12
2224715	GK - 30	30	40	70	22	13	13
2224716	GK - 35	35	45	75	22	13	13
2224717	GK - 40	40	52	80	23	14	13
2224718	GK - 45	45	57	90	23	14	13
2224719	GK - 50	50	62	100	25	14	15
2225553	GK - 55	55	67	105	25	14	15
2225063	GK - 60	60	72	110	25	14	15
2225142	GK - 65	65	77	115	25	14	15
2225472	GK - 70	70	82	125	30	16	18
2225554	GK - 75	75	87	130	30	16	18
2225555	GK - 80	80	92	140	30	16	18
2225556	GK - 90	90	109	150	30	16	18
2225473	GK - 100	100	119	165	35	18	21
2229202	GK - 115	115	134	180	35	18	21
2229203	GK - 125	125	144	195	37	22	21
2229488	GK - 140	140	164	215	40	24	22
2221823	GK - 150	150	174	225	45	26	25

*Avser axeldiameter

